

(12) INTERNATIONAL APPLICATION PUBLISHED UNDER THE PATENT COOPERATION TREATY (PCT)

(19) World Intellectual Property Organization
International Bureau



(43) International Publication Date
1 May 2003 (01.05.2003)

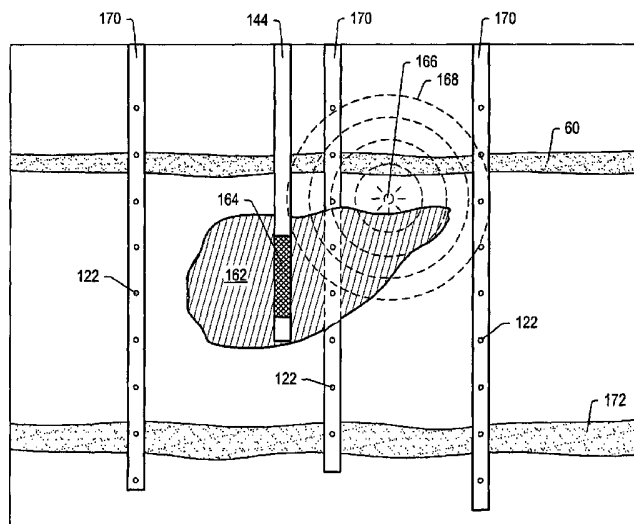
PCT

(10) International Publication Number
WO 03/036031 A3

- (51) International Patent Classification⁷: E21B 43/24, G01V 1/00
- (21) International Application Number: PCT/US02/34201
- (22) International Filing Date: 24 October 2002 (24.10.2002)
- (25) Filing Language: English
- (26) Publication Language: English
- (30) Priority Data:
60/337,136 24 October 2001 (24.10.2001) US
60/334,568 24 October 2001 (24.10.2001) US
60/374,995 24 April 2002 (24.04.2002) US
60/374,970 24 April 2002 (24.04.2002) US
- (71) Applicant (for all designated States except CA): SHELL OIL COMPANY [US/US]; Department of Intellectual Property, One Shell Plaza, P.O. Box 2463, Houston, TX 77252-2463 (US).
- (71) Applicant (for CA only): SHELL CANADA LIMITED [CA/CA]; 400-4th Avenue, S.W., Calgary, Alberta T2P 2H5 (CA).
- (72) Inventors: VINEGAR, Harold, J.; 4613 Laurel, Bellaire, TX 77401 (US). DEMARTINA, David, Charles; 11714 Spriggs Way, Houston, TX 77024 (US). BERCHENKO, Ilya, Emil; 2102 Pine Drive, Friendswood, TX 77546 (US).
- (74) Agent: CHRISTENSEN, Del, S.; Shell Oil Company, One Shell Plaza, P.O. Box 2463, Houston, TX 77252-2463 (US).
- (81) Designated States (national): AE, AG, AL, AM, AT, AU, AZ, BA, BB, BG, BR, BY, BZ, CA, CH, CN, CO, CR, CU, CZ, DE, DK, DM, DZ, EC, EE, ES, FI, GB, GD, GE, GH, GM, HR, HU, ID, IL, IN, IS, JP, KE, KG, KP, KR, KZ, LC, LK, LR, LS, LT, LU, LV, MA, MD, MG, MK, MN, MW, MX, MZ, NO, NZ, OM, PH, PL, PT, RO, RU, SD, SE, SG, SI, SK, SL, TJ, TM, TN, TR, TT, TZ, UA, UG, UZ, VC, VN, YU, ZA, ZM, ZW.
- (84) Designated States (regional): ARIPO patent (GH, GM, KE, LS, MW, MZ, SD, SL, SZ, TZ, UG, ZM, ZW), Eurasian patent (AM, AZ, BY, KG, KZ, MD, RU, TJ, TM), European patent (AT, BE, BG, CH, CY, CZ, DE, DK, EE, ES, FI, FR, GB, GR, IE, IT, LU, MC, NL, PT, SE, SK,

[Continued on next page]

(54) Title: SEISMIC MONITORING OF IN SITU CONVERSION IN A HYDROCARBON CONTAINING FORMATION



(57) Abstract: A method for controlling an in situ system of treating a hydrocarbon containing formation may include monitoring an acoustic event within the formation. More than one acoustic event may be monitored. An acoustic detector placed within a wellbore in the formation or on a surface of the formation may be used to monitor an acoustic event. An acoustic event may be recorded with an acoustic monitoring system and analyzed to determine at least one property of the formation. The in situ system of treating a hydrocarbon containing formation may be controlled based on the analysis of one or more acoustic events. In an embodiment, at least one acoustic event may be a seismic event. In certain embodiments, an acoustic source may be used to generate at least one acoustic event.



WO 03/036031 A3



TR), OAPI patent (BF, BJ, CF, CG, CI, CM, GA, GN, GQ, GW, ML, MR, NE, SN, TD, TG).

(88) Date of publication of the international search report:
3 July 2003

Published:

- *with international search report*
- *before the expiration of the time limit for amending the claims and to be republished in the event of receipt of amendments*

For two-letter codes and other abbreviations, refer to the "Guidance Notes on Codes and Abbreviations" appearing at the beginning of each regular issue of the PCT Gazette.

INTERNATIONAL SEARCH REPORT

International Application No
PCT/US 02/34201

A. CLASSIFICATION OF SUBJECT MATTER
IPC 7 E21B43/24 G01V1/00

According to International Patent Classification (IPC) or to both national classification and IPC

B. FIELDS SEARCHED
Minimum documentation searched (classification system followed by classification symbols)
IPC 7 G01V E21B

Documentation searched other than minimum documentation to the extent that such documents are included in the fields searched

Electronic data base consulted during the international search (name of data base and, where practical, search terms used)
WPI Data, TULSA, EPO-Internal

C. DOCUMENTS CONSIDERED TO BE RELEVANT

Category °	Citation of document, with indication, where appropriate, of the relevant passages	Relevant to claim No.
X	US 4 184 548 A (GINSBURGH IRWIN ET AL) 22 January 1980 (1980-01-22) column 2, line 25-30 column 4, line 66 -column 8, line 2 ---	1-9, 11-14
X	US 4 577 690 A (MEDLIN WILLIAM L) 25 March 1986 (1986-03-25) column 1, line 14-30 column 2, line 48-52 ---	1-9, 12-14
Y	column 3, line 1010 -column 4, line 13; figures 1-5 ---	10
X	US 4 452 491 A (SEGLIN LEONARD ET AL) 5 June 1984 (1984-06-05) column 3, line 65-68; figures 1,2 --- -/--	1

Further documents are listed in the continuation of box C. Patent family members are listed in annex.

° Special categories of cited documents :

A document defining the general state of the art which is not considered to be of particular relevance	*T* later document published after the international filing date or priority date and not in conflict with the application but cited to understand the principle or theory underlying the invention
E earlier document but published on or after the international filing date	*X* document of particular relevance; the claimed invention cannot be considered novel or cannot be considered to involve an inventive step when the document is taken alone
L document which may throw doubts on priority claim(s) or which is cited to establish the publication date of another citation or other special reason (as specified)	*Y* document of particular relevance; the claimed invention cannot be considered to involve an inventive step when the document is combined with one or more other such documents, such combination being obvious to a person skilled in the art.
O document referring to an oral disclosure, use, exhibition or other means	* & * document member of the same patent family
P document published prior to the international filing date but later than the priority date claimed	

Date of the actual completion of the international search 4 April 2003	Date of mailing of the international search report 07/05/2003
--	---

Name and mailing address of the ISA European Patent Office, P.B. 5818 Patentlaan 2 NL - 2280 HV Rijswijk Tel. (+31-70) 340-2040, Tx. 31 651 epo nl, Fax: (+31-70) 340-3016	Authorized officer van Berlo, A
--	---

INTERNATIONAL SEARCH REPORT

 International Application No
 PCT/US 02/34201

C.(Continuation) DOCUMENTS CONSIDERED TO BE RELEVANT

Category °	Citation of document, with indication, where appropriate, of the relevant passages	Relevant to claim No.
X	US 4 282 587 A (SILVERMAN DANIEL) 4 August 1981 (1981-08-04) the whole document ---	1
Y	US 4 744 245 A (WHITE GARY L) 17 May 1988 (1988-05-17) column 1, line 58-66; figure 3 column 3, line 1-28 ---	10
A	US 4 390 973 A (RIETSCH EIKE) 28 June 1983 (1983-06-28) column 1, line 21-32 column 2, line 3-40 column 3, line 49 -column 4, line 27 ---	1
A	GB 1 588 693 A (TEXACO AG) 29 April 1981 (1981-04-29) page 1, column 10 -page 2, column 35 ---	1
A	US 2 803 305 A (BEHNING PAUL D ET AL) 20 August 1957 (1957-08-20) the whole document -----	1

INTERNATIONAL SEARCH REPORT

Information on patent family members

International Application No

PCT/US 02/34201

Patent document cited in search report		Publication date	Patent family member(s)	Publication date
US 4184548	A	22-01-1980	NONE	
US 4577690	A	25-03-1986	NONE	
US 4452491	A	05-06-1984	NONE	
US 4282587	A	04-08-1981	US 4479204 A US 4524434 A	23-10-1984 18-06-1985
US 4744245	A	17-05-1988	NONE	
US 4390973	A	28-06-1983	DE 2812490 A1 AT 110779 A BE 874629 A1 CA 1152628 A1 FR 2420776 A1 GB 2017301 A , B NL 7901653 A	27-09-1979 15-06-1984 02-07-1979 23-08-1983 19-10-1979 03-10-1979 25-09-1979
GB 1588693	A	29-04-1981	DE 2705129 A1 AT 376810 B AT 88378 A BE 863732 A1 BR 7800711 A CA 1111542 A1 JP 53099001 A NL 7801396 A	17-08-1978 10-01-1985 15-05-1984 29-05-1978 12-09-1978 27-10-1981 30-08-1978 10-08-1978
US 2803305	A	20-08-1957	NONE	