



- (51) International Patent Classification:  
G03G 15/08 (2006.01)
- (21) International Application Number:  
PCT/US2016/026548
- (22) International Filing Date:  
8 April 2016 (08.04.2016)
- (25) Filing Language:  
English
- (26) Publication Language:  
English
- (30) Priority Data:  
62/144,523 8 April 2015 (08.04.2015) US  
14/739,150 15 June 2015 (15.06.2015) US
- (71) Applicant: LEXMARK INTERNATIONAL, INC.  
[US/US]; IP Law Department, 740 West New Circle Road,  
Lexington, KY 40550 (US).
- (72) Inventors: ANDERSON, James, Daniel; 207 Beams  
Road, Harrodsburg, KY 40330 (US). BAST, Charles,  
Alan; 506 Colby Road, Winchester, KY 40391 (US).  
CARPENTER, Brian, Scott; 557 Lanarkashire Place,  
Lexington, KY 40509 (US).
- (74) Agent: TROMP, Justin, Michael; IP Law Department,  
740 West New Circle Road, Lexington, KY 40550 (US).
- (81) Designated States (unless otherwise indicated, for every  
kind of national protection available): AE, AG, AL, AM,

AO, AT, AU, AZ, BA, BB, BG, BH, BN, BR, BW, BY, BZ, CA, CH, CL, CN, CO, CR, CU, CZ, DE, DK, DM, DO, DZ, EC, EE, EG, ES, FI, GB, GD, GE, GH, GM, GT, HN, HR, HU, ID, IL, IN, IR, IS, JP, KE, KG, KN, KP, KR, KZ, LA, LC, LK, LR, LS, LU, LY, MA, MD, ME, MG, MK, MN, MW, MX, MY, MZ, NA, NG, NI, NO, NZ, OM, PA, PE, PG, PH, PL, PT, QA, RO, RS, RU, RW, SA, SC, SD, SE, SG, SK, SL, SM, ST, SV, SY, TH, TJ, TM, TN, TR, TT, TZ, UA, UG, US, UZ, VC, VN, ZA, ZM, ZW.

- (84) Designated States (unless otherwise indicated, for every kind of regional protection available): ARIPO (BW, GH, GM, KE, LR, LS, MW, MZ, NA, RW, SD, SL, ST, SZ, TZ, UG, ZM, ZW), Eurasian (AM, AZ, BY, KG, KZ, RU, TJ, TM), European (AL, AT, BE, BG, CH, CY, CZ, DE, DK, EE, ES, FI, FR, GB, GR, HR, HU, IE, IS, IT, LT, LU, LV, MC, MK, MT, NL, NO, PL, PT, RO, RS, SE, SI, SK, SM, TR), OAPI (BF, BJ, CF, CG, CI, CM, GA, GN, GQ, GW, KM, ML, MR, NE, SN, TD, TG).

**Published:**

- with international search report (Art. 21(3))
- before the expiration of the time limit for amending the claims and to be republished in the event of receipt of amendments (Rule 48.2(h))

- (88) Date of publication of the international search report:  
1 December 2016

(54) Title: TONER INLET PORT ALIGNMENT FEATURES FOR A DEVELOPER UNIT OF AN ELECTROPHOTOGRAPHIC IMAGE FORMING DEVICE

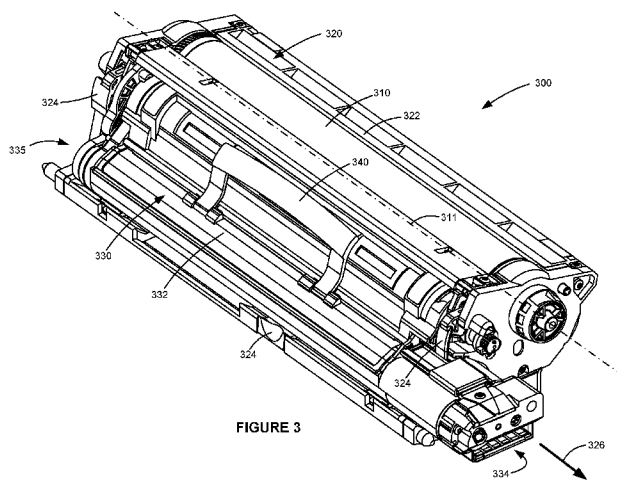


FIGURE 3

(57) Abstract: A developer unit for an electrophotographic image forming device includes a housing having a roll mounted thereon that is configured to supply toner from a reservoir in the housing to a photoconductive drum. The housing extends along an axial dimension of the roll from a front end to a rear end of the housing. A toner inlet port is in fluid communication with the reservoir and formed in an extension from the top of the housing near the front end of the housing. A ramp is positioned on the top of the front end of the housing. The ramp is positioned in front of the extension and vertically below the toner inlet port and is aligned in a side-to-side dimension of the housing with the toner inlet port. The ramp includes an inclined surface that inclines upward as the inclined surface extends rearward relative to the housing.



## INTERNATIONAL SEARCH REPORT

International application No.

PCT/US 16/26548

## A. CLASSIFICATION OF SUBJECT MATTER

IPC(8) - G03G 15/08 (2016.01)

CPC - G03G 15/0886

According to International Patent Classification (IPC) or to both national classification and IPC

## B. FIELDS SEARCHED

Minimum documentation searched (classification system followed by classification symbols)

IPC(8) - G03G 15/08 (2016.01)

CPC - G03G 15/0886

Documentation searched other than minimum documentation to the extent that such documents are included in the fields searched  
-- EXTRA SHEET--Electronic data base consulted during the international search (name of data base and, where practicable, search terms used)  
PatBase; GOOGLE (PATENTS, SCHOLAR) Search Terms Used: electrophotographic, photocopier, copier, copy machine, xerox, developer unit, inlet, ramp, incline, slope, slant, guide

## C. DOCUMENTS CONSIDERED TO BE RELEVANT

| Category* | Citation of document, with indication, where appropriate, of the relevant passages | Relevant to claim No. |
|-----------|--|-----------------------|
| X         | US 2013/0287447 A1 (BAKER et al) 31 October 2013 (31.10.2013) entire document      | 1                     |
| --        |  | -----                 |
| Y         |  | 2-4, 6-9              |
| --        |  | -----                 |
| A         |  | 5, 10                 |
| Y         | US 5,614,996 A (TANDA) 25 March 1997 (25.03.1997) entire document                  | 2-4, 6-9              |
| --        |  | -----                 |
| A         |  | 5, 10                 |
| A         | US 2012/0263503 A1 (NAGASHIMA) 18 October 2012 (18.10.2012) entire document        | 1-10                  |
| A         | US 2008/0240779 A1 (OGASHIWA) 02 October 2008 (02.10.2008) entire document         | 1-10                  |
| A         | US 2007/0248384 A1 (KAWAI) 25 October 2007 (25.10.2007) entire document            | 1-10                  |

 Further documents are listed in the continuation of Box C.

## \* Special categories of cited documents:

"A" document defining the general state of the art which is not considered to be of particular relevance

"E" earlier application or patent but published on or after the international filing date

"L" document which may throw doubts on priority claim(s) or which is cited to establish the publication date of another citation or other special reason (as specified)

"O" document referring to an oral disclosure, use, exhibition or other means

"P" document published prior to the international filing date but later than the priority date claimed

"T" later document published after the international filing date or priority date and not in conflict with the application but cited to understand the principle or theory underlying the invention

"X" document of particular relevance; the claimed invention cannot be considered novel or cannot be considered to involve an inventive step when the document is taken alone

"Y" document of particular relevance; the claimed invention cannot be considered to involve an inventive step when the document is combined with one or more other such documents, such combination being obvious to a person skilled in the art

"&amp;" document member of the same patent family

Date of the actual completion of the international search

29 September 2016

Date of mailing of the international search report

24 OCT 2016

Name and mailing address of the ISA/US

Mail Stop PCT, Attn: ISA/US, Commissioner for Patents  
P.O. Box 1450, Alexandria, Virginia 22313-1450

Facsimile No. 571-273-8300

Authorized officer:

Lee W. Young

PCT Helpdesk: 571-272-4300  
PCT OSP: 571-272-7774

INTERNATIONAL SEARCH REPORT

International application No.

PCT/US 16/26548

Continuation of: B. FIELDS SEARCHED Documentation searched other than minimum documentation to the extent that such documents are included in the fields searched  
IPC(8) - G03G 15/06, 15/08, 21/16 (2016.01)  
CPC - G03G 15/06, 15/08, 15/0822, 15/0832, 15/0834, 15/0865, 15/0867, 15/0868, 15/0877, 15/0879, 15/0881, 15/0886, 15/0896, 21/16, 21/1642, 21/1647, 21/1676