

(19) World Intellectual Property Organization  
International Bureau



(43) International Publication Date  
26 July 2007 (26.07.2007)

PCT

(10) International Publication Number  
**WO 2007/084517 A3**

(51) International Patent Classification:

F24J 2/08 (2006.01) F24J 2/52 (2006.01)  
F24J 2/12 (2006.01) H01L 31/042 (2006.01)  
F24J 2/38 (2006.01) H01L 31/052 (2006.01)

(21) International Application Number:

PCT/US2007/001159

(22) International Filing Date: 17 January 2007 (17.01.2007)

(25) Filing Language: English

(26) Publication Language: English

(30) Priority Data:

60/759,778 17 January 2006 (17.01.2006) US

(71) Applicant (for all designated States except US): **SO-LIANT ENERGY, INC.** [US/US]; 133 North San Gabriel Boulevard, Suite 205, Pasadena, California 91107 (US).

(72) Inventors; and

(75) Inventors/Applicants (for US only): **HINES, Braden, E.** [US/US]; 627 Linda Vista Avenue, Pasadena, California 91105 (US). **JOHNSON, JR., Richard, L.** [US/US]; 6106 Walkers Ferry Lane, Suffolk, Virginia 23435 (US). **IRWIN, Philip, C.** [US/US]; 40 Suffolk Avenue, Sierra Madre, California 91024 (US).

(74) Agents: **PARINS, Paul, J.** et al.; KAGAN BINDER, PLLC, Suite 200, Maple Island Building, 221 Main Street North, Stillwater, Minnesota 55082 (US).

(81) Designated States (unless otherwise indicated, for every kind of national protection available): AE, AG, AL, AM, AT, AU, AZ, BA, BB, BG, BR, BW, BY, BZ, CA, CH, CN, CO, CR, CU, CZ, DE, DK, DM, DZ, EC, EE, EG, ES, FI, GB, GD, GE, GH, GM, GT, HN, HR, HU, ID, IL, IN, IS, JP, KE, KG, KM, KN, KP, KR, KZ, LA, LC, LK, LR, LS, LT, LU, LV, LY, MA, MD, MG, MK, MN, MW, MX, MY, MZ, NA, NG, NI, NO, NZ, OM, PG, PH, PL, PT, RO, RS, RU, SC, SD, SE, SG, SK, SL, SM, SV, SY, TJ, TM, TN, TR, TT, TZ, UA, UG, US, UZ, VC, VN, ZA, ZM, ZW.

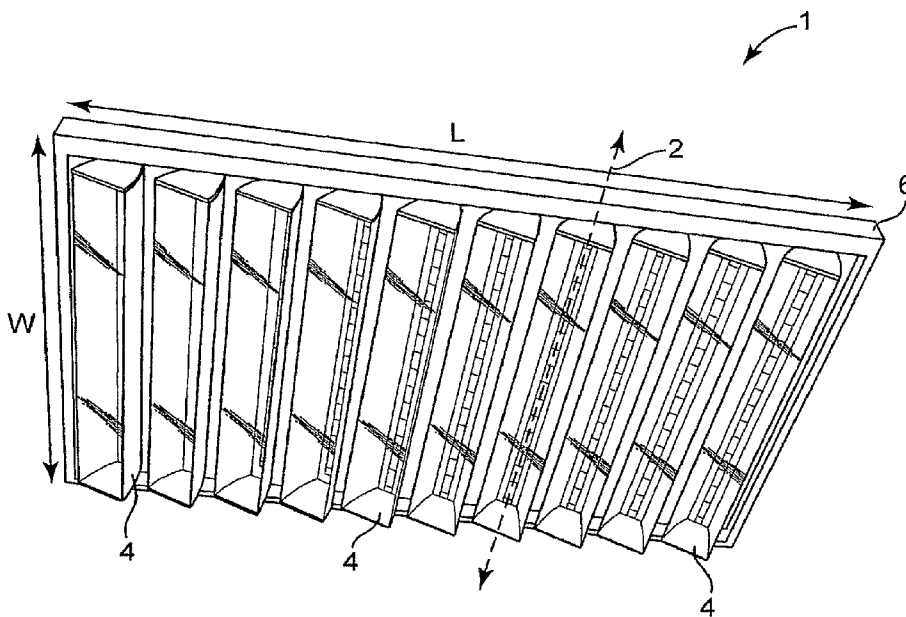
(84) Designated States (unless otherwise indicated, for every kind of regional protection available): ARIPO (BW, GH, GM, KE, LS, MW, MZ, NA, SD, SL, SZ, TZ, UG, ZM, ZW), Eurasian (AM, AZ, BY, KG, KZ, MD, RU, TJ, TM), European (AT, BE, BG, CH, CY, CZ, DE, DK, EE, ES, FI, FR, GB, GR, HU, IE, IS, IT, LT, LU, LV, MC, NL, PL, PT, RO, SE, SI, SK, TR), OAPI (BF, BJ, CF, CG, CI, CM, GA, GN, GQ, GW, ML, MR, NE, SN, TD, TG).

Published:

— with international search report

[Continued on next page]

(54) Title: CONCENTRATING SOLAR PANEL AND RELATED SYSTEMS AND METHODS



(57) Abstract: The present invention relates to photovoltaic concentrating modules and related concentrating solar systems and methods. In particular, the present invention relates to concentrating modules, especially modules having a convenient size and market acceptance of traditional flat photovoltaic solar panels.

WO 2007/084517 A3



— *before the expiration of the time limit for amending the claims and to be republished in the event of receipt of amendments*

**(88) Date of publication of the international search report:**  
21 February 2008

INTERNATIONAL SEARCH REPORT

International application No  
PCT/US2007/001159

A. CLASSIFICATION OF SUBJECT MATTER  
INV. F24J2/08 F24J2/12 F24J2/38 F24J2/52 H01L31/042  
H01L31/052

According to International Patent Classification (IPC) or to both national classification and IPC

B. FIELDS SEARCHED

Minimum documentation searched (classification system followed by classification symbols)  
F24J H01L

Documentation searched other than minimum documentation to the extent that such documents are included in the fields searched

Electronic data base consulted during the international search (name of data base and, where practical, search terms used)

EPO-Internal

C. DOCUMENTS CONSIDERED TO BE RELEVANT

Category*	Citation of document, with indication, where appropriate, of the relevant passages	Relevant to claim No.
X	US 6 020 554 A (KAMINAR NEIL R [US] ET AL) 1 February 2000 (2000-02-01) columns 2-5; figures 1-4	1-27
X	US 4 297 521 A (JOHNSON STEVEN A) 27 October 1981 (1981-10-27)  columns 4-6; figures 2-6	1-4, 6-9, 11-14, 16-27
X	US 4 187 123 A (DIGGS RICHARD E [US]) 5 February 1980 (1980-02-05)  columns 2-4; figures 1-5	1-4, 6, 7, 9, 11-13, 15-27
X	US 4 210 121 A (STARK VIRGIL [US]) 1 July 1980 (1980-07-01)  columns 8-12; figures 1, 11, 18	1-4, 6-9, 11-14, 16-27
	-/--	

Further documents are listed in the continuation of Box C.

See patent family annex.

\* Special categories of cited documents :

- \*A\* document defining the general state of the art which is not considered to be of particular relevance
- \*E\* earlier document but published on or after the international filing date
- \*L\* document which may throw doubts on priority claim(s) or which is cited to establish the publication date of another citation or other special reason (as specified)
- \*O\* document referring to an oral disclosure, use, exhibition or other means
- \*P\* document published prior to the international filing date but later than the priority date claimed

- \*T\* later document published after the international filing date or priority date and not in conflict with the application but cited to understand the principle or theory underlying the invention
- \*X\* document of particular relevance; the claimed invention cannot be considered novel or cannot be considered to involve an inventive step when the document is taken alone
- \*Y\* document of particular relevance; the claimed invention cannot be considered to involve an inventive step when the document is combined with one or more other such documents, such combination being obvious to a person skilled in the art.
- \*Z\* document member of the same patent family

Date of the actual completion of the international search

7 September 2007

Date of mailing of the international search report

20/12/2007

Name and mailing address of the ISA/  
European Patent Office, P.B. 5818 Patentlaan 2  
NL - 2280 HV Rijswijk  
Tel. (+31-70) 340-2040, Tx. 31 651 epo nl,  
Fax: (+31-70) 340-3016

Authorized officer

Merkt, Andreas

4

## INTERNATIONAL SEARCH REPORT

International application No  
PCT/US2007/001159

C(Continuation). DOCUMENTS CONSIDERED TO BE RELEVANT		
Category*	Citation of document, with indication, where appropriate, of the relevant passages	Relevant to claim No.
X	US 2003/201008 A1 (LAWHEED PAUL [US]) 30 October 2003 (2003-10-30)  paragraphs [0061] - [0069], [0115] - [0119]; figures 1,26-28	1-4, 11-13, 16, 22-24, 26,27
P,X	WO 2006/114457 A (SOL3G S L [ES]; PARDELL VILELLA RICARD [ES]) 2 November 2006 (2006-11-02) the whole document	1-27
P,X	WO 2006/120475 A (WHITFIELD SOLAR LTD [GB]; WEATHERBY CLIVE KEITH [GB]; BENTLEY ROGER WI) 16 November 2006 (2006-11-16) the whole document	1-27

# INTERNATIONAL SEARCH REPORT

International application No.  
PCT/US2007/001159

## Box No. II Observations where certain claims were found unsearchable (Continuation of item 2 of first sheet)

This international search report has not been established in respect of certain claims under Article 17(2)(a) for the following reasons:

1.  Claims Nos.:  
because they relate to subject matter not required to be searched by this Authority, namely:
  
2.  Claims Nos.:  
because they relate to parts of the international application that do not comply with the prescribed requirements to such an extent that no meaningful international search can be carried out, specifically:
  
3.  Claims Nos.:  
because they are dependent claims and are not drafted in accordance with the second and third sentences of Rule 6.4(a).

## Box No. III Observations where unity of invention is lacking (Continuation of item 3 of first sheet)

This International Searching Authority found multiple inventions in this international application, as follows:

see additional sheet

1.  As all required additional search fees were timely paid by the applicant, this international search report covers allsearchable claims.
  
2.  As all searchable claims could be searched without effort justifying an additional fees, this Authority did not invite payment of additional fees.
  
3.  As only some of the required additional search fees were timely paid by the applicant, this international search report covers only those claims for which fees were paid, specifically claims Nos.:
  
4.  No required additional search fees were timely paid by the applicant. Consequently, this international search report is restricted to the invention first mentioned in the claims; it is covered by claims Nos.:

1-27

### Remark on Protest

- The additional search fees were accompanied by the applicant's protest and, where applicable, the payment of a protest fee.
- The additional search fees were accompanied by the applicant's protest but the applicable protest fee was not paid within the time limit specified in the invitation.
- No protest accompanied the payment of additional search fees.

**FURTHER INFORMATION CONTINUED FROM PCT/ISA/ 210**

This International Searching Authority found multiple (groups of) inventions in this international application, as follows:

1. claims: 1-27

A photovoltaic power system with an adapted support structure and a method of providing it  
---

2. claims: 28-30

A photovoltaic concentrator module with a reflective trough a photovoltaic cell wherein the trough has a triple function.  
---

3. claim: 31

A photovoltaic power system with a support structure and a special improved design of concentrator modules.  
---

# INTERNATIONAL SEARCH REPORT

information on patent family members

International application No PCT/US2007/001159
---

Patent document cited in search report	A	Publication date	Patent family member(s)	Publication date
US 6020554	A	01-02-2000	AU 3353400 A WO 0057486 A1	09-10-2000 28-09-2000
US 4297521	A	27-10-1981	IL 58924 A	29-02-1984
US 4187123	A	05-02-1980	NONE	
US 4210121	A	01-07-1980	AU 517681 B2	20-08-1981
US 2003201008	A1	30-10-2003	NONE	
WO 2006114457	A	02-11-2006	ES 2267382 A1	01-03-2007
WO 2006120475	A	16-11-2006	NONE	