



US00D843212S

(12) **United States Design Patent**
Seiders et al.

(10) **Patent No.:** **US D843,212 S**

(45) **Date of Patent:** **** Mar. 19, 2019**

(54) **LID**

(71) Applicant: **YETI Coolers, LLC**, Austin, TX (US)

(72) Inventors: **Roy Joseph Seiders**, Austin, TX (US);
Matthew Joseph Petrillo, Austin, TX (US);
Steve Charles Nichols, Austin, TX (US)

(73) Assignee: **YETI Coolers, LLC**, Austin, TX (US)

(**) Term: **15 Years**

(21) Appl. No.: **29/596,970**

(22) Filed: **Mar. 13, 2017**

Related U.S. Application Data

(63) Continuation of application No. 29/544,227, filed on Oct. 30, 2015, now Pat. No. Des. 781,146.

(51) **LOC (11) Cl.** **09-07**

(52) **U.S. Cl.**

USPC **D9/443; D7/392.1**

(58) **Field of Classification Search**

USPC D3/10, 202, 203.1, 203.2, 273, 275, 291,
D3/294, 318; D4/127, 129; D7/300,
D7/300.1, 313, 316, 317, 318, 387, 391,
D7/392.1, 393, 394, 396.2, 398, 402, 503,
D7/505, 507, 509, 510, 511, 513,
D7/523-531, 533, 538, 541, 542, 549,
D7/590, 605, 608, 629, 672, 703, 900;
D8/300, 302, 303, 306, 307, 308, 310,
D8/315, 333, 349, 350, 352, 354, 356,
D8/382, 383, 394, 395; D9/418,
D9/434-440, 443-450, 452-454, 502,
D9/503, 504, 516, 517, 529, 530, 531,
D9/534, 538, 543, 682, 686, 688, 715,
D9/718; D10/46.2; D11/26, 35;
D12/218; D13/103, 106, 118, 133, 154,

(Continued)

(56)

References Cited

U.S. PATENT DOCUMENTS

D109,331 S 4/1938 McManus et al.
D154,378 S 7/1949 Fuller
(Continued)

FOREIGN PATENT DOCUMENTS

CN 301110494 * 1/2010
CN 303528321 * 12/2015

(Continued)

OTHER PUBLICATIONS

ETI 36 oz. Rambler: Announced Jan. 11, 2016 [online], site visited [May 10, 2016]. Available from Internet URL: <http://yeticoolers.com/rambler-bottle-36-oz/>.*

(Continued)

Primary Examiner — Sheryl Lane

Assistant Examiner — Catherine S Posthauer

(74) *Attorney, Agent, or Firm* — Banner & Witcoff, Ltd.

(57)

CLAIM

The ornamental design for a lid, as shown and described.

DESCRIPTION

FIG. 1 is a top, front, right perspective view of a lid showing our new design;

FIG. 2 is a front view thereof;

FIG. 3 is a rear view thereof;

FIG. 4 is a right side view thereof;

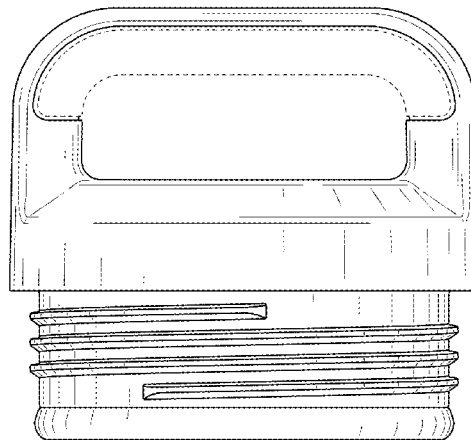
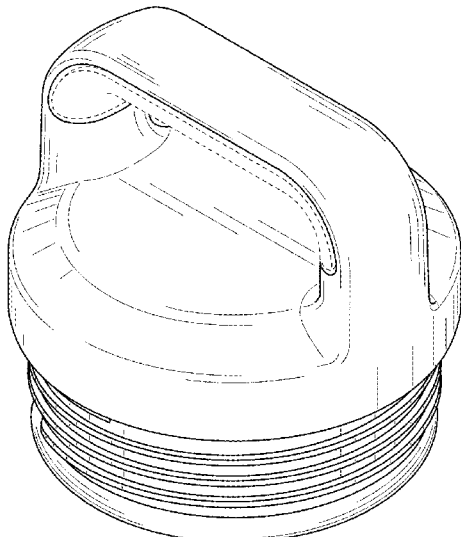
FIG. 5 is a left side view thereof;

FIG. 6 is a top view thereof; and,

FIG. 7 is a bottom view thereof.

The broken lines are shown for the purposes of illustrating parts of the lid that form no part of the claim.

1 Claim, 4 Drawing Sheets



(58) **Field of Classification Search**

USPC D13/158, 183, 703; D19/70, 71, 115,
D19/162, 163, 165, 192, 194; D24/121,
D24/127, 197, 224; D26/36, 123, 124;
D29/129, 130; D30/158, 159; D32/23,
D32/24, 25, 34, 72; D34/7, 10, 11, 28
CPC B65D 47/122; B65D 47/305; B65D 23/00;
B65D 1/00; B65D 1/02; B65D 1/0223;
B65D 50/041; B65D 25/18; B65D 41/04;
B65D 51/242; B65D 39/08; A47G 19/00;
A47G 19/2272; A47F 3/14; A47F 3/16;
A47J 41/00

See application file for complete search history.

(56) **References Cited**

U.S. PATENT DOCUMENTS

D177,761 S 5/1956 Reinhardt
D224,646 S 8/1972 Vollquartz
D235,303 S 6/1975 Boucher
D256,651 S 9/1980 Leung et al.
D279,346 S 6/1985 Ruxton
D281,567 S 12/1985 Zimmermann
D286,604 S 11/1986 Bierlein et al.
D286,847 S 11/1986 Zimmermann
D287,211 S 12/1986 Weiss
D290,678 S 7/1987 Johnson et al.
D305,871 S 2/1990 Geiger
D332,379 S 1/1993 Murphy
D354,915 S 1/1995 Schneider et al.
D368,224 S 3/1996 Arndt
D381,906 S 8/1997 Bartsch
D391,450 S 3/1998 Rausch
D398,193 S 9/1998 Sanchez
D405,650 S 2/1999 Meier
D411,742 S 6/1999 Kokenge et al.
D415,395 S 10/1999 Hunt et al.
D422,916 S 4/2000 Herrmann
D437,556 S 2/2001 Holliday et al.
D456,669 S * 5/2002 Munari D7/392.1
D458,133 S * 6/2002 Berish D9/443
D458,134 S 6/2002 Berish et al.
D466,814 S 12/2002 Hurlburt
D479,800 S 9/2003 McRae
D482,607 S 11/2003 McRae
D494,425 S 8/2004 Segura
D502,052 S 2/2005 Meade
D521,866 S 5/2006 Hicks et al.
D524,909 S * 7/2006 Bakke D23/233
D525,518 S * 7/2006 Baldwin D8/310
D536,929 S 2/2007 Kingsley
D548,082 S 8/2007 Kingsley
D553,914 S 10/2007 Wahl
D554,000 S 10/2007 Walsh
D554,503 S 11/2007 Kerman et al.
D554,993 S 11/2007 Kerman et al.
D561,470 S 2/2008 Jalet
D564,363 S 3/2008 Rhea
D568,740 S 5/2008 Williams
D572,585 S 7/2008 Perrin et al.
D584,623 S 1/2009 Chupak
D587,533 S 3/2009 Carreno
D601,436 S 10/2009 Stephens et al.
D603,331 S 11/2009 Schupp
D603,722 S 11/2009 Reimer
D604,181 S 11/2009 Reimer
D604,561 S 11/2009 Chisholm
D605,040 S 12/2009 Fry et al.
D605,060 S 12/2009 Reimer
D608,195 S 1/2010 Germann
D609,567 S 2/2010 Komet et al.
D611,346 S 3/2010 Camomile
D612,235 S 3/2010 Cresswell et al.
D614,918 S 5/2010 Chisholm
D615,360 S 5/2010 Joy et al.

D615,816 S 5/2010 Joy et al.
D616,703 S 6/2010 Joy et al.
D616,743 S * 6/2010 Cresswell D9/443
D616,744 S * 6/2010 Cresswell D9/443
D618,500 S 6/2010 Hardaway
D619,457 S 7/2010 Walsh
D619,458 S 7/2010 Walsh
D619,459 S 7/2010 Walsh
D620,798 S * 8/2010 Cresswell D9/443
D621,257 S 8/2010 Gullickson et al.
D621,258 S 8/2010 Gullickson et al.
D622,089 S 8/2010 Daniel et al.
D622,145 S 8/2010 Walsh
D623,062 S 9/2010 Gullickson et al.
D623,475 S 9/2010 Aarnoude et al.
D623,896 S 9/2010 Wahl et al.
D626,414 S 11/2010 Cresswell et al.
D626,416 S 11/2010 Cresswell et al.
D627,601 S 11/2010 Eyal
D627,602 S 11/2010 Eyal
D627,604 S 11/2010 Eyal
D628,486 S 12/2010 Lane
D629,689 S 12/2010 Cresswell et al.
D629,690 S 12/2010 Cresswell et al.
D629,691 S 12/2010 Cresswell et al.
D630,474 S 1/2011 Gilbert
D630,475 S * 1/2011 Lu D7/629
D631,666 S 2/2011 Lim et al.
D633,338 S 3/2011 Rosbach et al.
D633,794 S 3/2011 Cresswell et al.
D633,795 S 3/2011 Cresswell et al.
D633,796 S 3/2011 Cresswell et al.
D633,797 S 3/2011 Cresswell et al.
D635,457 S 4/2011 Lane
D635,856 S 4/2011 Lauret
D638,695 S * 5/2011 Woodrow D8/382
D638,708 S 5/2011 Walsh
D639,164 S 6/2011 Walsh
D639,661 S 6/2011 Llerena
D639,663 S 6/2011 Llerena
D641,591 S 7/2011 Tsukida
D644,062 S 8/2011 Lorenz
D651,847 S 1/2012 Gilbert
D652,255 S 1/2012 Carland
D652,682 S 1/2012 Eyal
D654,762 S 2/2012 Gilbert
D655,134 S 3/2012 Gilbert
D655,581 S 3/2012 Kotani
D657,196 S * 4/2012 Beyers, III D7/513
D658,064 S 4/2012 Barnes et al.
D658,445 S 5/2012 Carreno
D659,007 S 5/2012 Pape
D660,084 S 5/2012 Gilbert
D662,360 S 6/2012 George
8,215,511 B1 * 7/2012 Lin B65D 39/08
215/228
D664,809 S 8/2012 Eyal
D665,621 S 8/2012 Eyal
D668,913 S 10/2012 Mayer
D672,238 S 12/2012 Aziz et al.
D672,609 S 12/2012 Aziz et al.
D675,100 S 1/2013 Herbst
D676,764 S 2/2013 Moore et al.
D677,119 S 3/2013 Ying
D678,772 S 3/2013 Johnson et al.
D680,389 S * 4/2013 Zemel D7/672
D684,059 S 6/2013 Johnson et al.
D684,813 S 6/2013 Eyal
D686,078 S 7/2013 Johnson et al.
D688,093 S 8/2013 Roth et al.
D693,698 S 11/2013 Miller, Jr.
D695,138 S 12/2013 Ball
D696,945 S 1/2014 Newman
D697,404 S 1/2014 Johnson et al.
D698,668 S 2/2014 Vaughn
D701,464 S 3/2014 Ogata et al.
D702,092 S 4/2014 Mettler et al.
D702,506 S 4/2014 Mettler et al.
D708,954 S 7/2014 Barnes et al.

(56) **References Cited**

U.S. PATENT DOCUMENTS

D709,734	S	7/2014	Kotani	
D712,254	S	9/2014	Geis et al.	
D712,255	S	9/2014	Geis et al.	
D713,268	S	9/2014	Jones et al.	
D713,365	S	9/2014	Green	
D717,102	S	11/2014	Taketani et al.	
D724,385	S	3/2015	Hurley et al.	
D728,315	S	5/2015	Bo	
D728,995	S	5/2015	Barberi	
D729,579	S	5/2015	Molayem	
D729,584	S	5/2015	Weston et al.	
D732,402	S	6/2015	Jones et al.	
D734,154	S	7/2015	Johnson et al.	
D735,578	S	8/2015	Mazurkiewicz et al.	
D741,655	S	10/2015	Whelan et al.	
D743,742	S	11/2015	Rummel et al.	
D744,781	S	12/2015	Rummel et al.	
D754,472	S *	4/2016	Munari	D7/393
D755,561	S	5/2016	Eyal	
D756,701	S	5/2016	Mettler et al.	
D758,859	S	6/2016	Sorensen et al.	
D760,080	S	6/2016	Gorbold	
D760,586	S *	7/2016	Seiders	D7/392.1
D764,916	S	8/2016	Mount, III et al.	
D766,085	S	9/2016	Smith	
D774,363	S	12/2016	Seiders et al.	
D777,508	S	1/2017	Goodwin et al.	
D780,577	S *	3/2017	Seiders	D7/392.1
D781,145	S *	3/2017	Seiders	D7/392.1
D781,146	S *	3/2017	Seiders	D7/392.1
D782,881	S *	4/2017	Seiders	D7/510
D783,367	S *	4/2017	Seiders	D7/608
D783,368	S *	4/2017	Seiders	D7/510
D786,146	S	5/2017	Woodhouse et al.	
D788,544	S *	6/2017	Seiders	D7/608
D790,285	S *	6/2017	Seiders	D7/608
2008/0078787	A1	4/2008	Yelland	
2011/0186585	A1	8/2011	Lu	
2014/0251938	A1	9/2014	Rose et al.	
2014/0353275	A1	12/2014	Hung	
2017/0119212	A1 *	5/2017	Petrillo	A47J 41/0072

FOREIGN PATENT DOCUMENTS

JP	1530358	8/2015
KR	300303813.0000	8/2002
KR	300751936.0000	* 7/2014
KR	300764889.0000	* 10/2014
WO	D088688-002	1/2016
WO	WOD088688-002	* 1/2016

OTHER PUBLICATIONS

KOLD Vacuum Insulated Stainless Steel Sports Bottle: Announced Dec. 8, 2015 [online], site visited [May 11, 2016]. Available from Internet URL: http://www.amazon.com/KOLD-Sports-Water-Bottles-Insulated/dp/B018YHK79E/ref=cm.*

United States District Court Western District of Texas Austin Division, “Second Amended Complaint,” *Yeti Coolers, LLC v. Sam’s West, Inc., and Sam’s East, Inc., and CY Top, Ltd.*, Case: 1:16-cv-00829-RP, Document #51, filed Sep. 22, 2017, 49 pages.

United States District Court Western District of Texas Austin Division, “Complaint,” *Yeti Coolers, LLC v. Costco Wholesale Corporation*, Case: 1:17-cv-07025, Document #1, filed Sep. 28, 2017, 99 pages.

United States District Court Western District of Texas Austin Division, “Complaint,” *Yeti Coolers, LLC v. Alibaba Group Holding Limited, Alibaba (China) Technology Co., Ltd., Alibaba.com Hong Kong Limited, Alibaba.com Singapore E-Commerce Private Limited, Hangzhou Alibaba Advertising Co. Ltd., and Huizhou Dashu Trading Co., Ltd.*, Case: 1:17-cv-00936, Document #1, filed Sep. 28, 2017, 272 pages.

United States District Court Western District of Texas Austin Division, “Complaint,” *Yeti Coolers, LLC v. ContextLogic, Inc. d/b/a Wish.com*, Case: 1:17-cv-00937, Document #1, filed Sep. 28, 2017, 238 pages.

United States District Court Western District of Texas Austin Division, “Complaint,” *Yeti Coolers, LLC v. Dunhuang Group, SZ Flowerfairy Technology Co., Ltd., Tan Er Pa Technology Co., Ltd., Shenzhen Great Electronic Technology Co., Ltd., and Huagong Trading Co.*, Case: 1:17-cv-00938, Document #1, filed Sep. 28, 2017, 272 pages.

United States International Trade Commission of Washington, DC, “Complaint Under Section 337 of the Tariff Act of 1930, as Amended,” *Yeti Coolers, LLC vs. Alibaba (China) Technology Co., Ltd., Alibaba Group Holding Limited, Alibaba.com Hong Kong Limited, Alibaba.com Singapore E-Commerce Private Limited, Bonanza.com, Inc., ContextLogic, Inc. d/b/a Wish, Dunhuang Group, Hangzhou Alibaba Advertising Co. Ltd., Huizhou Dashu Trading Co., Ltd, Huagong Trading Co., and Tan Er Pa Technology Co., Ltd.*, Case: 337-TA-3261, filed Sep. 28, 2017, 191 pages.

United States District Court Western District of Texas Austin Division, “Plaintiffs’ Complaint for Damages and Injunctive Relief,” *Yeti Coolers, LLC v. Houssam Rabi d/b/a Hoo-Sizzy*, Case 1:17-cv-00418, Document 1, filed May 5, 2017, 37 pages.

United States District Court Western District of Texas Austin Division, “Plaintiffs’ Complaint for Damages and Injunctive Relief,” *Yeti Coolers, LLC v. Seth Stevens d/b/a SDS Marketing d/b/a Eskimo Coolers, Panther Group LLC d/b/a Eskimo Coolers, Panther Group Sales, LLC d/b/a Eskimo Coolers, and Silver Fox Sales, LLC*, Case 1:17-cv-00423, Document 1, filed May 5, 2017, 77 pages.

Yeti 36 oz. Rambler: Announced Jan. 11, 2016 [online], site visited [May 10, 2016]. Available from Internet URL: <http://yeticoolers.com/rambler-bottle-36-oz/>.

United States District Court Western District of Texas Austin Division, “Complaint for Damages and Injunctive Relief,” *Yeti Coolers, LLC v. RTIC Coolers, LLC, RTIC Drinkware, LLC, and RTIC Web Services, LLC*, Case: 1:16-cv-00985, Document #1, filed Aug. 18, 2016, 27 pages.

United States District Court Western District of Texas Austin Division, “Defendants’ Motion to Dismiss Pursuant to Rule 12(b)(6),” *Yeti Coolers, LLC v. RTIC Coolers, LLC, RTIC Drinkware, LLC, and RTIC Web Services, LLC*, Case: 1:16-cv-00985, Document #9, filed Sep. 23, 2016, 27 pages.

English translation of Office Action dated Nov. 1, 2016 for JP Application No. 2016-9605, 2 pages.

English translation of Office Action dated Nov. 1, 2016 for JP Application No. 2016-9606, 2 pages.

English translation of Office Action dated Oct. 4, 2016 for JP Application No. 2016-9607, 2 pages.

English translation of Office Action dated Oct. 4, 2016 for JP Application No. 2016-9608, 2 pages.

United States District Court Western District of Texas Austin Division, “Plaintiff Yeti Coolers, LLC’s Original Complaint,” *Yeti Coolers, LLC v. Ontel Products Corporation and World Pack USA, LLC*, Case: 1:17-cv-00091-RP, Document #1, filed Feb. 8, 2017, 65 pages.

United States District Court Western District of Texas Austin Division, “Defendants’ Answers and Defenses to Plaintiff’s Original Complaint,” *Yeti Coolers, LLC v. Ontel Products Corporation and World Pack USA, LLC*, Case: 1:17-cv-00091-RP, Document #14, filed Feb. 21, 2017, 45 pages.

Yeti Rambler. Jul. 19, 2016 [earliest online date], [site visited Apr. 7, 2017]. Available from internet, <URL: <http://yeti.com/rambler>>.

Amazon. Yeti Rambler Bottle Replacement Cap. Mar. 23, 2017 [earliest online date], [site visited Apr. 7, 2017]. Available from Internet, <URL: <https://www.amazon.com/YETI-Rambler-Bottle-Replacement-Cap/dp/B01MZ6QIMY>>.

Outdoor Pro Shop. Yeti Rambler Bottles. May 27, 2016 [earliest online date], [site visited Apr. 7, 2017]. Available from Internet, <URL: <https://www.outdoorproshop.com/Yeti-Rambler-Bottles-p/yeti-yrambl.htmOu>>.

(56)

References Cited

OTHER PUBLICATIONS

“Review: Yeti Heavy-Duty Rambler Bottles”. Found online Jun. 12, 2017 at gearjunkie.com. Page dated Apr. 1, 2016. Retrieved from <<https://gearjunkie.com/yeti-rambler-water-bottle-review>.

“ETS Express: New Items in Stock”. Found online Jun. 12, 2017 at twitter.com. Page dated Jan. 21, 2015. Retrieved from <<https://twitter.com/etsexpress/status/557997114589196288>>.

“Klean Kanteen Wide Mouth Water Bottle with Loop Cap”. Found online Oct. 12, 2016 at amazon.com. Page dated Dec. 5, 2009. Retrieved from <https://www.amazon.com/Klean-Kanteen-Mouth-Water-Bottle/dp/B002VIZ61U/ref=cm_cr_ar_p_d_product_top?ie=UTF8>.

“Sketch-a-Day: Water Bottles”. Found online Jun. 21, 2017 at sketch-a-day.com. Page dated Mar. 4, 2010. Retrieved from <<http://www.sketch-a-day.com/posts/sketch-a-day-95-water-bottles/>>.

* cited by examiner

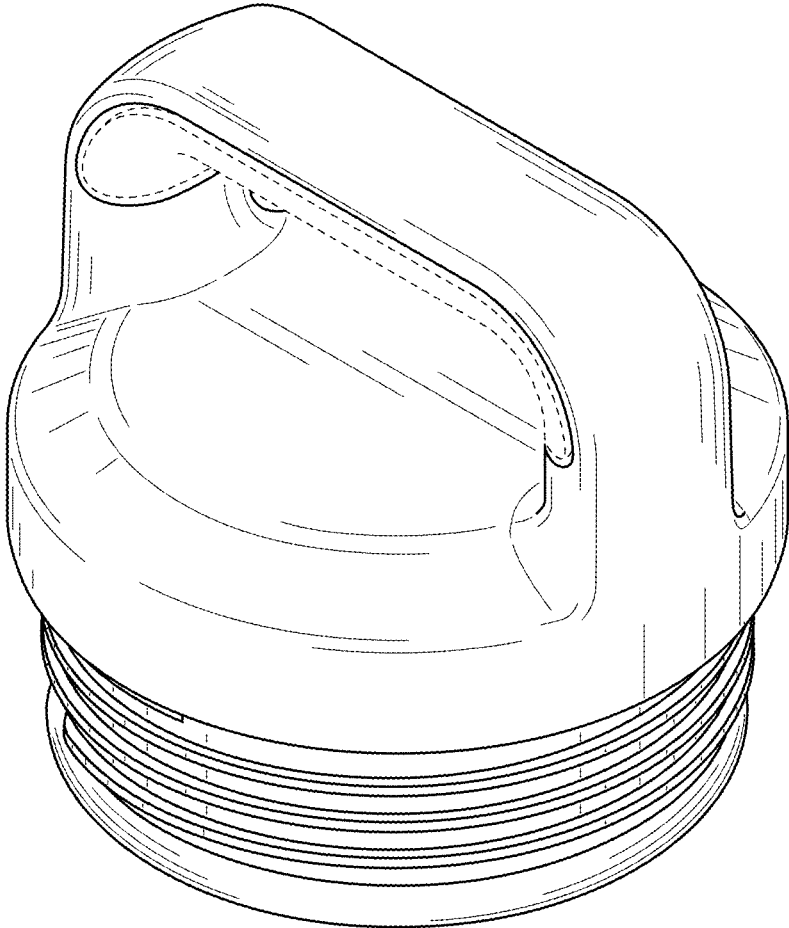


FIG. 1

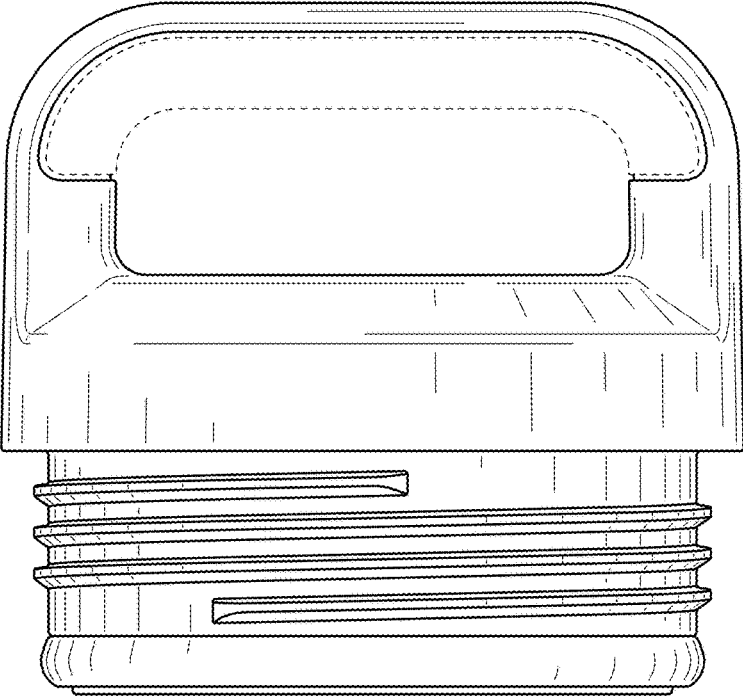


FIG. 2

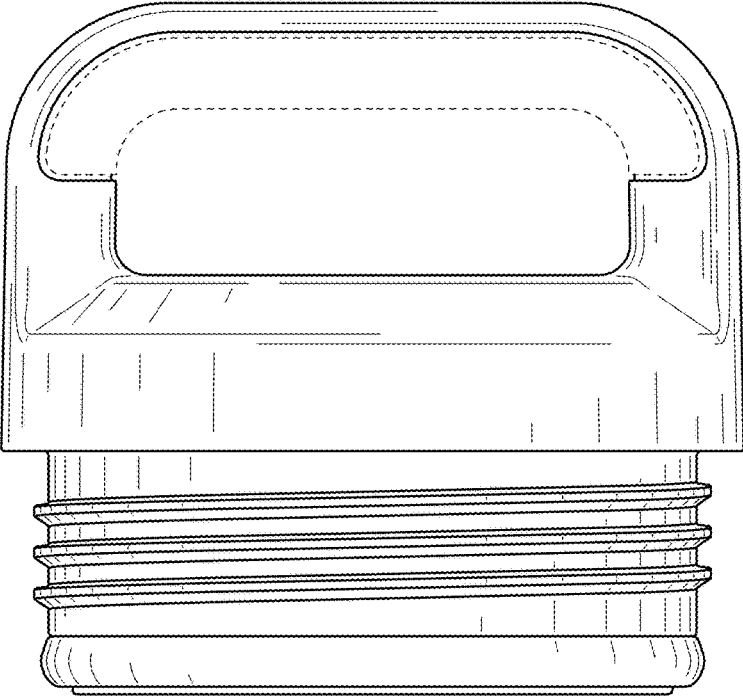


FIG. 3

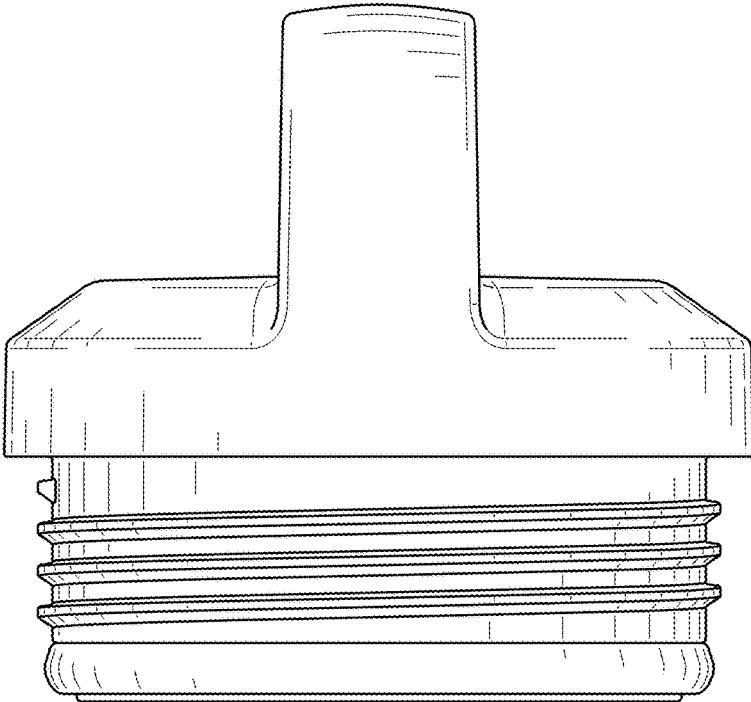


FIG. 4

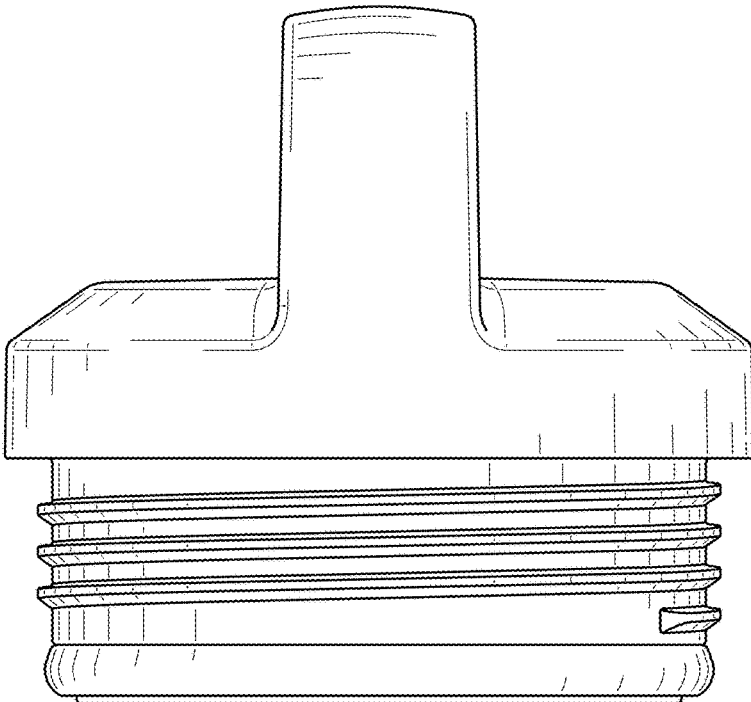


FIG. 5

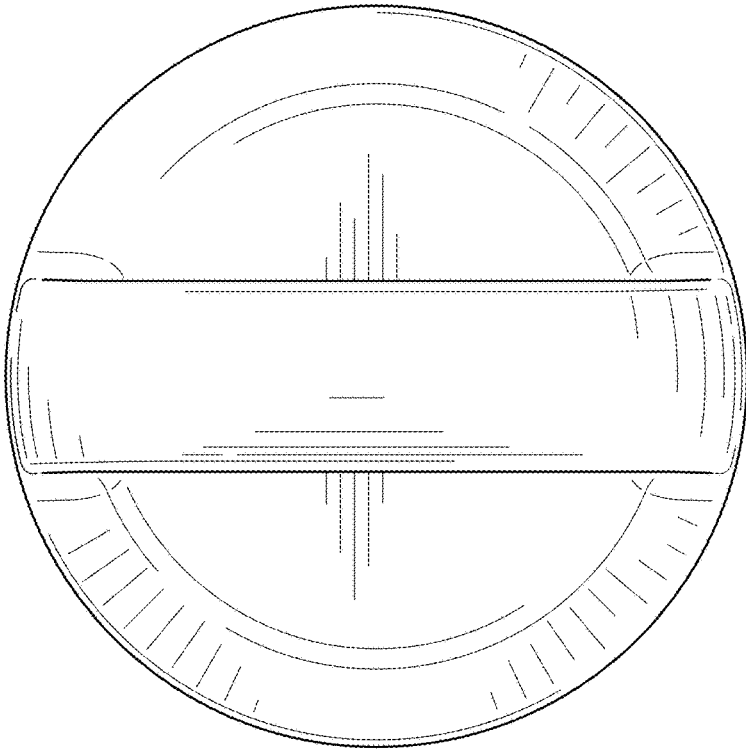


FIG. 6

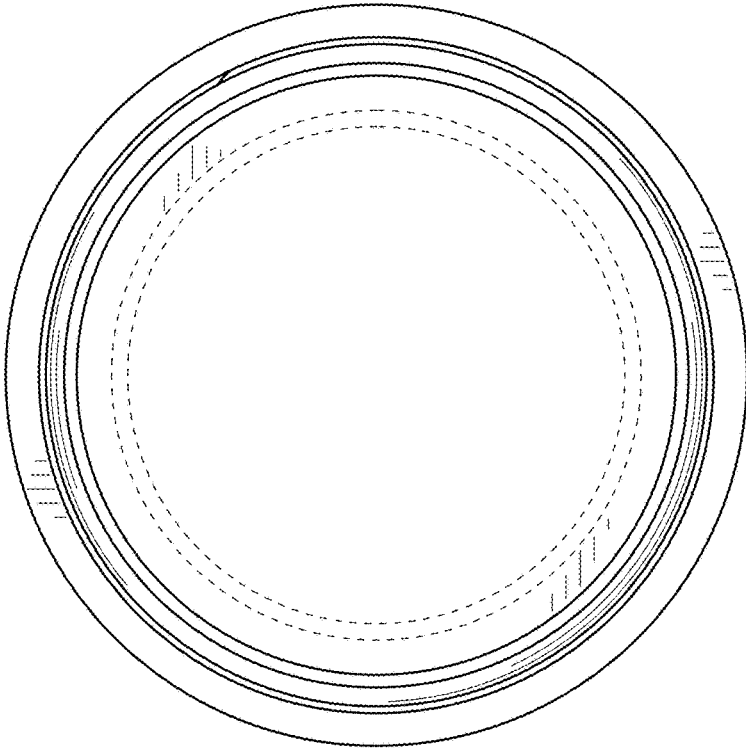


FIG. 7