



(12) **United States Design Patent**
Peng

(10) **Patent No.:** **US D997,613 S**
(45) **Date of Patent:** **** Sep. 5, 2023**

(54) **READING STAND**
(71) Applicant: **Ning Peng**, Jiangxi (CN)
(72) Inventor: **Ning Peng**, Jiangxi (CN)
(**) Term: **15 Years**

D336,708 S * 6/1993 Boughey D34/21
D598,217 S * 8/2009 Bode D6/681.2
9,743,759 B1 * 8/2017 Ramirez F16M 11/28
11,406,179 B2 * 8/2022 Grabowski A47B 9/20
11,540,625 B1 * 1/2023 Soho A47B 23/043
2006/0016945 A1 * 1/2006 Taylor A47B 19/06
248/371

(21) Appl. No.: **29/761,377**
(22) Filed: **Dec. 9, 2020**

OTHER PUBLICATIONS

Book stand, posted at amazon.com, posted on Jun. 6, 2021, site visited Jan. 18, 2023. online, available from internet: <https://www.amazon.com/dp/B093DJKW59/> (Year: 2021).*

(51) **LOC (14) Cl.** **06-06**
(52) **U.S. Cl.**
USPC **D6/700**

* cited by examiner

(58) **Field of Classification Search**
USPC D6/406.1, 406.3, 406.4, 698, 700, 701,
D6/691.4, 692.3, 708.17; D19/90, 91
CPC A47B 23/042; A47B 23/043; A47B 19/06;
A47B 23/007; A47B 2220/0094; A47B
2023/047; A47B 23/00; A47B 2220/0016;
A47B 23/06
See application file for complete search history.

Primary Examiner — Catherine Ho

(57) **CLAIM**

The ornamental design for a reading stand, as shown and described.

(56) **References Cited**

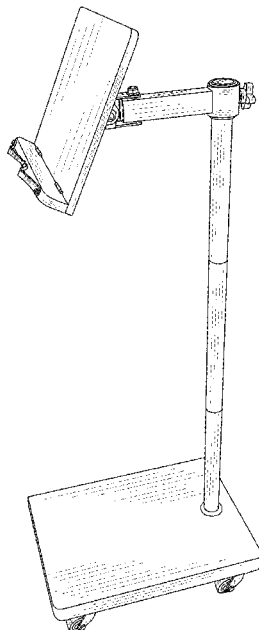
DESCRIPTION

U.S. PATENT DOCUMENTS

651,058 A * 6/1900 Rogers A47B 23/042
248/441.1
1,135,751 A * 4/1915 Balaban A47B 23/042
43/115
1,446,352 A * 2/1923 Priest A47B 19/06
248/457
1,753,378 A * 4/1930 Jones A47B 23/04
33/8
2,136,701 A * 11/1938 Manierre A47B 23/04
248/445
2,480,233 A * 8/1949 Fuller A47B 23/046
108/4
2,683,067 A * 7/1954 Hartman A47B 19/06
108/7

FIG. 1 is a perspective view of a reading stand showing my new design;
FIG. 2 is a front elevation view thereof;
FIG. 3 is a rear elevation view thereof;
FIG. 4 is a left side elevation view thereof;
FIG. 5 is a right side elevation view thereof;
FIG. 6 is a top plan view thereof; and,
FIG. 7 is a bottom plan view thereof.
The broken line portion of the figure drawings is included to show portions of the article that form no part of the claimed design.

1 Claim, 7 Drawing Sheets



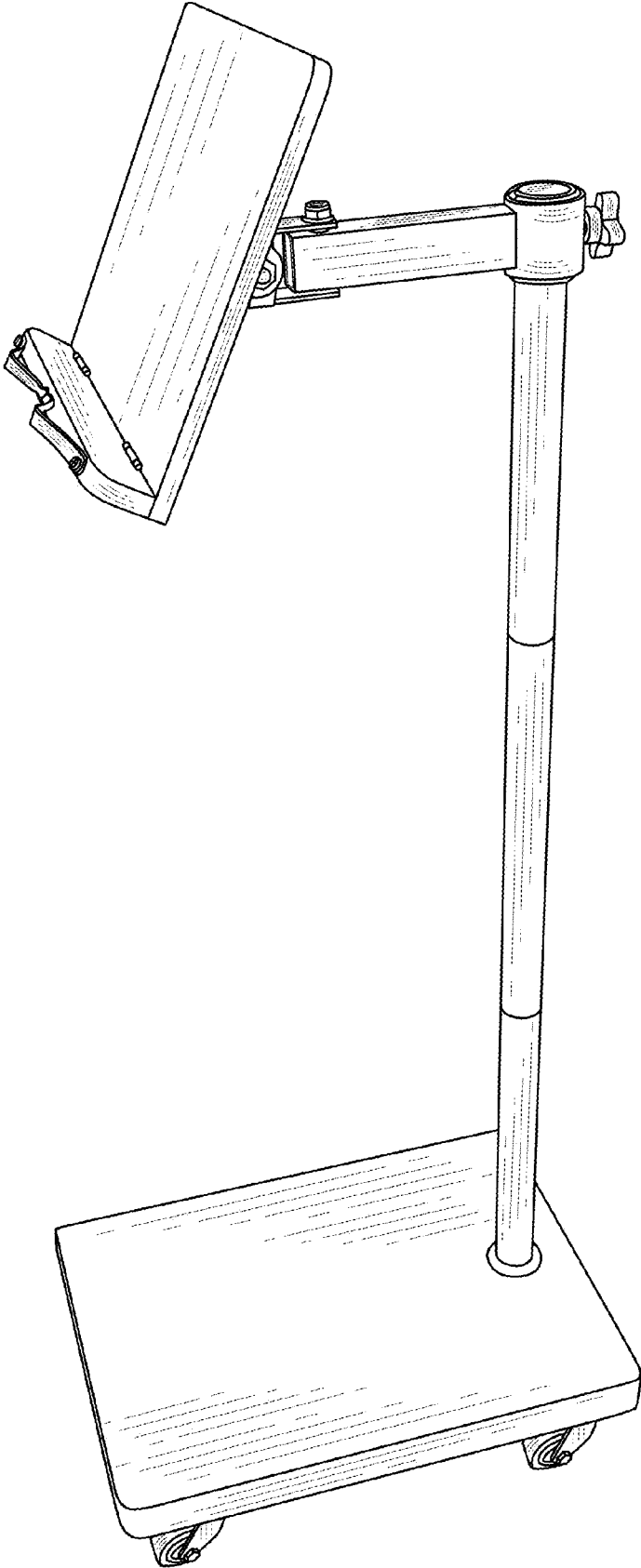


FIG. 1

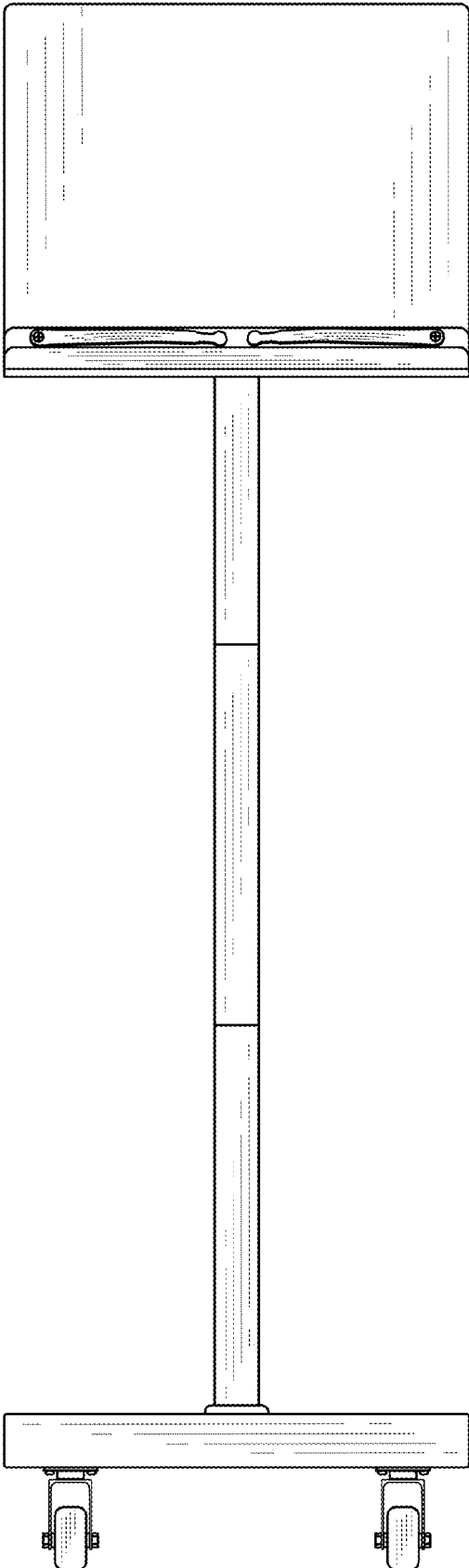


FIG. 2

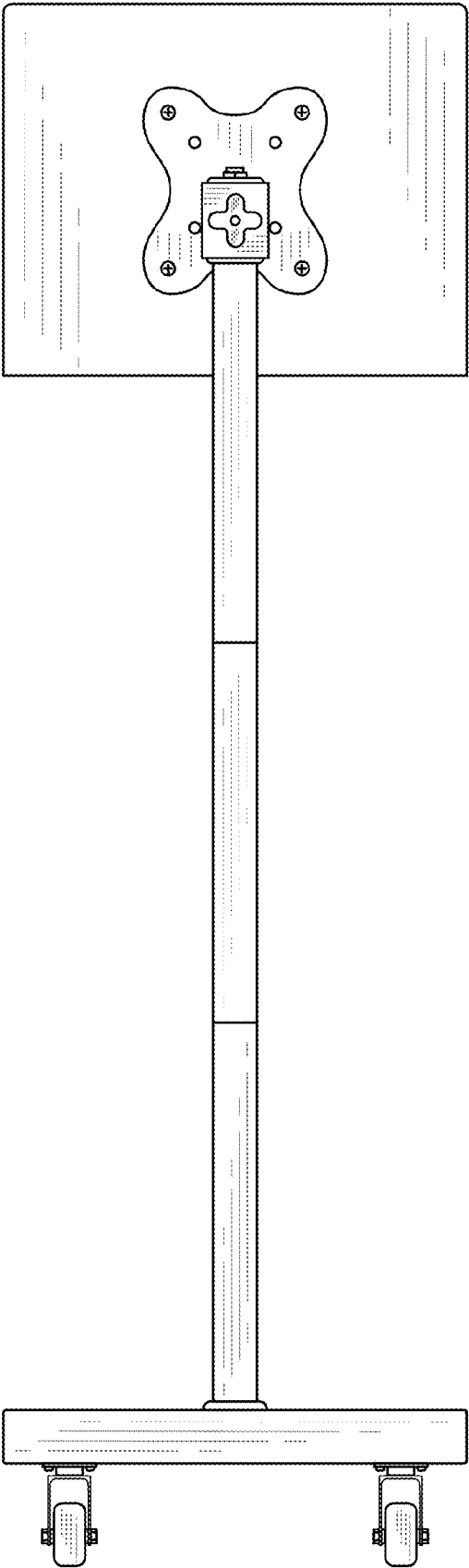


FIG. 3

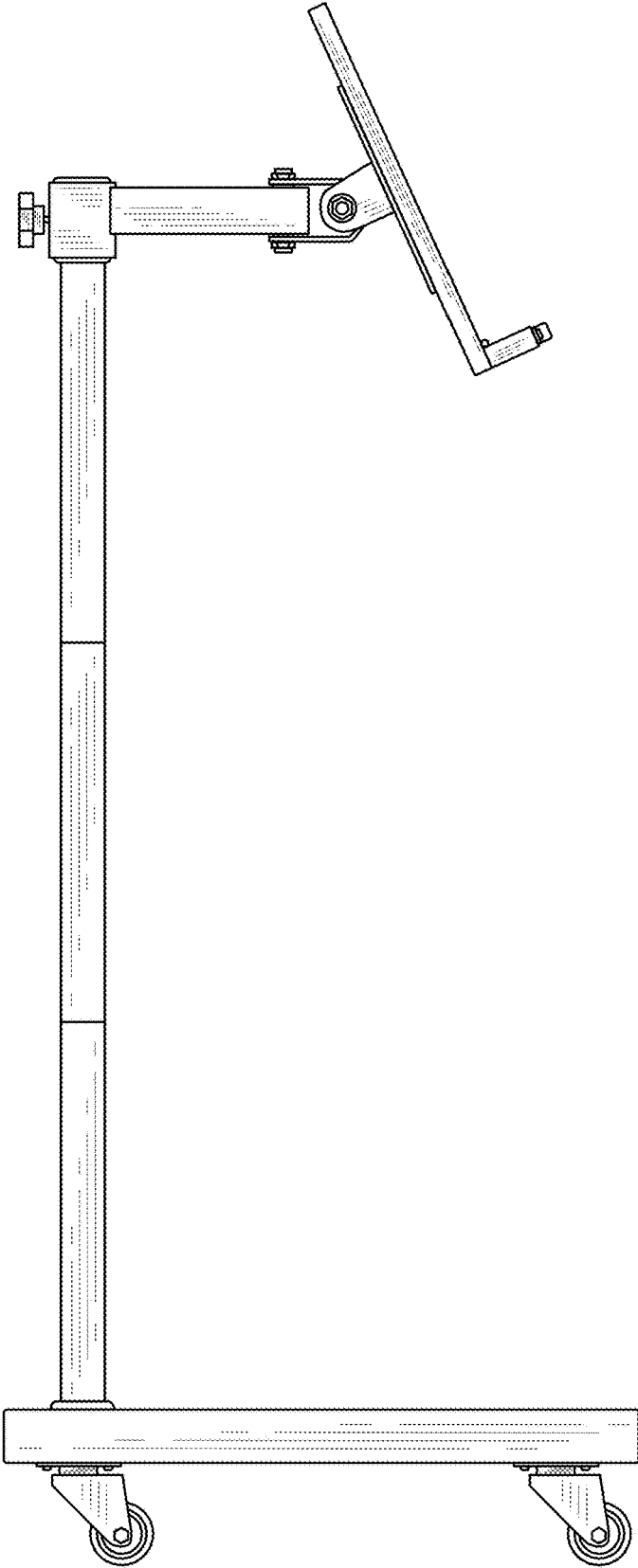


FIG. 4

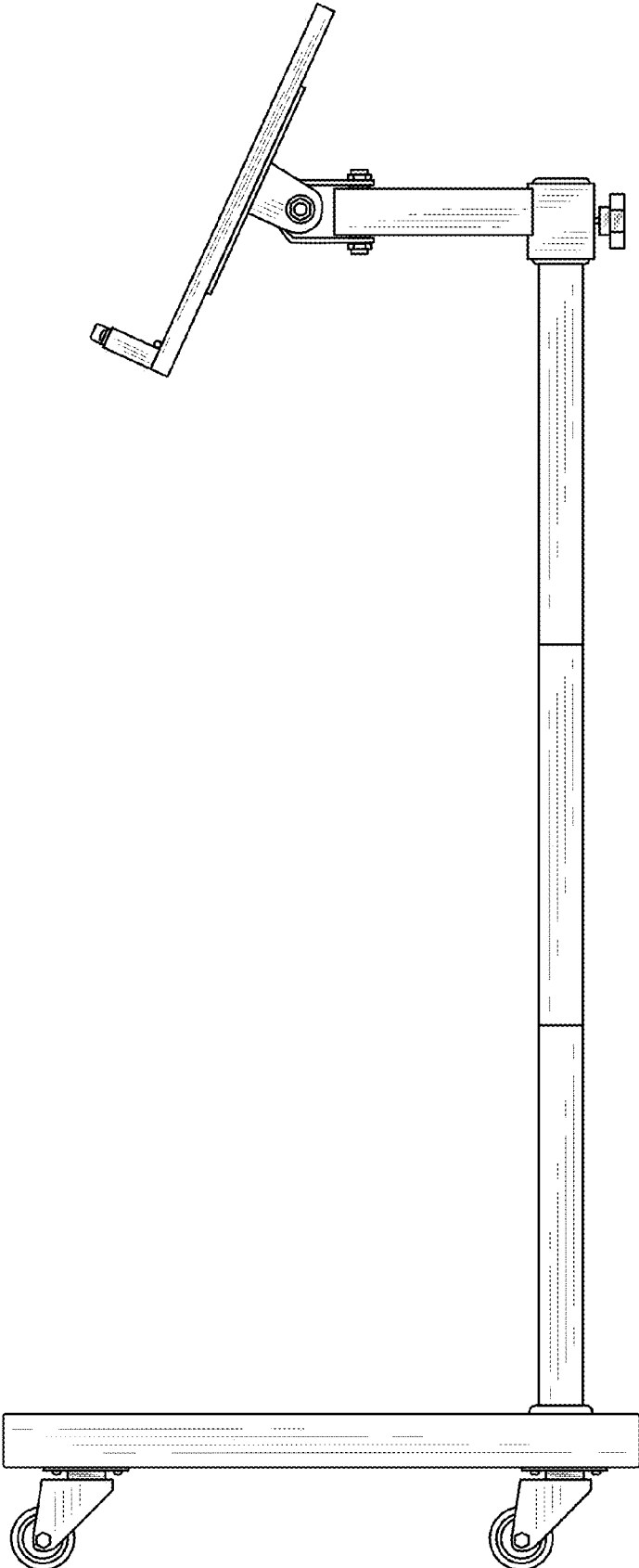


FIG. 5

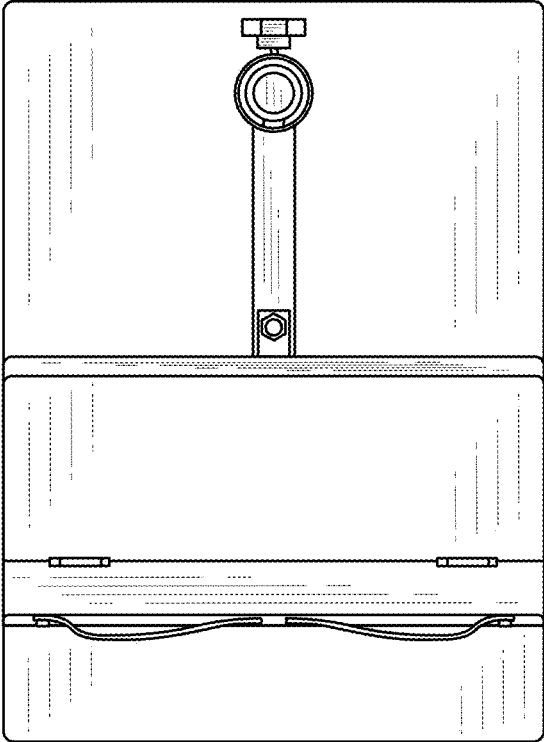


FIG. 6

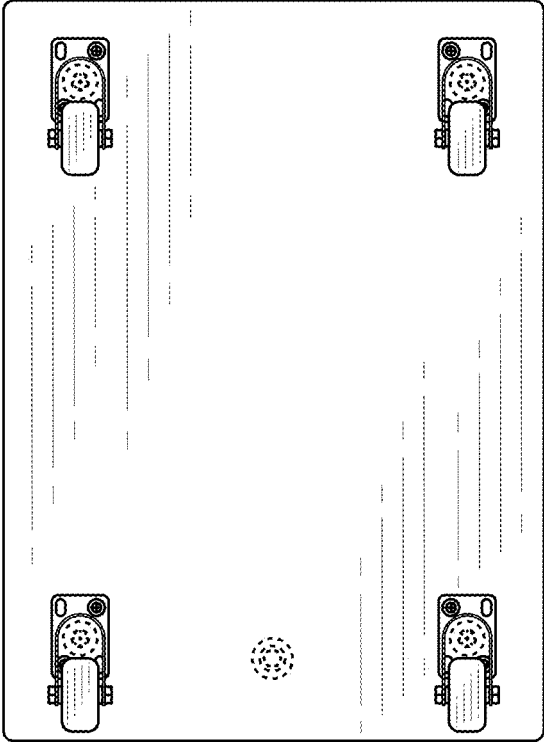


FIG. 7