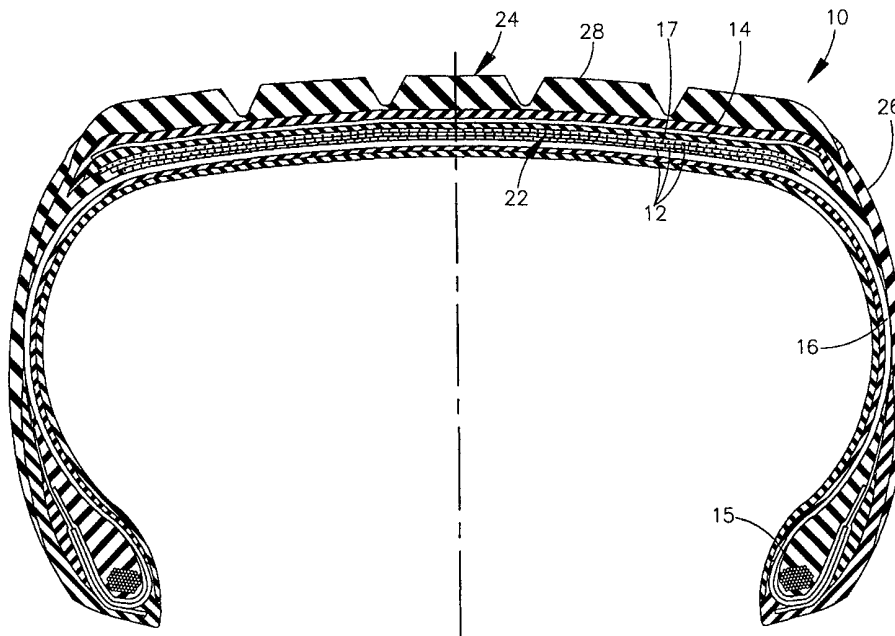




INTERNATIONAL APPLICATION PUBLISHED UNDER THE PATENT COOPERATION TREATY (PCT)

<p>(51) International Patent Classification ⁶ : B60C 9/00, 9/04, 9/08, D02G 3/48</p>	<p>A1</p>	<p>(11) International Publication Number: WO 00/15449 (43) International Publication Date: 23 March 2000 (23.03.00)</p>
<p>(21) International Application Number: PCT/US98/19079 (22) International Filing Date: 15 September 1998 (15.09.98)</p> <p>(71) Applicant (for all designated States except US): THE GOODYEAR TIRE & RUBBER COMPANY [US/US]; D/823, 1144 East Market Street, Akron, OH 44316-0001 (US).</p> <p>(72) Inventors; and (75) Inventors/Applicants (for US only): SYKORA, James, Cletus [US/US]; 1649 Plateau Street, N.E., Uniontown, OH 44685 (US). WESTGATE, Walter, Kevin [US/US]; 1961 Gulf Street, Uniontown, OH 44685 (US). HAMIEL, Charles, Elmer [US/US]; 3745 Silvercrest Drive, Stow, OH 44224 (US).</p> <p>(74) Agent: WHEELER, David, E.; The Goodyear Tire & Rubber Company, Dept. 823, 1144 East Market Street, Akron, OH 44316-0001 (US).</p>		<p>(81) Designated States: AL, AM, AT, AU, AZ, BA, BB, BG, BR, BY, CA, CH, CN, CU, CZ, DE, DK, EE, ES, FI, GB, GE, GH, GM, HR, HU, ID, IL, IS, JP, KE, KG, KP, KR, KZ, LC, LK, LR, LS, LT, LU, LV, MD, MG, MK, MN, MW, MX, NO, NZ, PL, PT, RO, RU, SD, SE, SG, SI, SK, SL, TJ, TM, TR, TT, UA, UG, US, UZ, VN, YU, ZW, ARIPO patent (GH, GM, KE, LS, MW, SD, SZ, UG, ZW), Eurasian patent (AM, AZ, BY, KG, KZ, MD, RU, TJ, TM), European patent (AT, BE, CH, CY, DE, DK, ES, FI, FR, GB, GR, IE, IT, LU, MC, NL, PT, SE), OAPI patent (BF, BJ, CF, CG, CI, CM, GA, GN, GW, ML, MR, NE, SN, TD, TG).</p> <p>Published With international search report.</p>

(54) Title: TIRES WITH PEN REINFORCEMENT



(57) Abstract

High modulus reinforcement is used to make a radial ply pneumatic tire having only one carcass ply, i.e. a monoply tire. Poly-ethylene naphthalate (PEN) reinforcement is prepared in a manner that provides sufficient strength whereby the monoply tire can be made having reduced weight (as compared to a two ply tire) while having comparable durability, some improved handling, reduced rolling resistance, and improved flatspotting properties.

FOR THE PURPOSES OF INFORMATION ONLY

Codes used to identify States party to the PCT on the front pages of pamphlets publishing international applications under the PCT.

AL	Albania	ES	Spain	LS	Lesotho	SI	Slovenia
AM	Armenia	FI	Finland	LT	Lithuania	SK	Slovakia
AT	Austria	FR	France	LU	Luxembourg	SN	Senegal
AU	Australia	GA	Gabon	LV	Latvia	SZ	Swaziland
AZ	Azerbaijan	GB	United Kingdom	MC	Monaco	TD	Chad
BA	Bosnia and Herzegovina	GE	Georgia	MD	Republic of Moldova	TG	Togo
BB	Barbados	GH	Ghana	MG	Madagascar	TJ	Tajikistan
BE	Belgium	GN	Guinea	MK	The former Yugoslav Republic of Macedonia	TM	Turkmenistan
BF	Burkina Faso	GR	Greece			TR	Turkey
BG	Bulgaria	HU	Hungary	ML	Mali	TT	Trinidad and Tobago
BJ	Benin	IE	Ireland	MN	Mongolia	UA	Ukraine
BR	Brazil	IL	Israel	MR	Mauritania	UG	Uganda
BY	Belarus	IS	Iceland	MW	Malawi	US	United States of America
CA	Canada	IT	Italy	MX	Mexico	UZ	Uzbekistan
CF	Central African Republic	JP	Japan	NE	Niger	VN	Viet Nam
CG	Congo	KE	Kenya	NL	Netherlands	YU	Yugoslavia
CH	Switzerland	KG	Kyrgyzstan	NO	Norway	ZW	Zimbabwe
CI	Côte d'Ivoire	KP	Democratic People's Republic of Korea	NZ	New Zealand		
CM	Cameroon			PL	Poland		
CN	China	KR	Republic of Korea	PT	Portugal		
CU	Cuba	KZ	Kazakstan	RO	Romania		
CZ	Czech Republic	LC	Saint Lucia	RU	Russian Federation		
DE	Germany	LI	Liechtenstein	SD	Sudan		
DK	Denmark	LK	Sri Lanka	SE	Sweden		
EE	Estonia	LR	Liberia	SG	Singapore		

TIRES WITH PEN REINFORCEMENT

Technical Field

5 The invention relates to radial ply pneumatic tires.

Background Art

It is a continuing goal in the art to reduce tire weight, and the amount of material in a tire without reducing performance characteristics. In the past, attempts have been made to reduce the number of carcass plies used in passenger tires from two plies to one ply by using larger and stronger carcass ply reinforcement cords. Although such monople tires perform as well as the two
10 ply tires for many tire properties, such monople tires have shown major distortion in the areas of the tire coinciding with overlap splices. Apparently, in a two-ply tire the plies support each other and such distortion is not a major problem.

The challenge in producing a monople tire, therefore, is to find materials or a tire
15 construction that is not susceptible to such distortions, while other properties are maintained.

Disclosure of Invention

A pneumatic tire of the invention comprises a pair of parallel annular beads, a single carcass ply comprising poly(ethylene 2-6 naphthalene dicarboxylate) reinforcement cords wrapped around the beads, a belt package disposed radially outward of the carcass ply in a
20 crown area of the tire, tread disposed radially outward of the belt package, and sidewalls disposed between the tread and the beads. The PEN reinforcement in the carcass ply comprises 2000 to 8000 dTex cords having a twist multiplier of 5 to 10, said cords showing a shrinkage of 2.5% to 7%, a LASE @5% of 85 to 115 N, a break strength of 200 to 350 N, a 90% to 100% Retained break strength based on the Dynamic Flex Fatigue test, and a cord
25 density of 20 to 40 ends per inch (e.p.i. measured at tire bead).

In an illustrated embodiment, the reinforcement in the carcass ply comprises 1100/1/3 dTex PEN cords with a 394 turns per meter Z x 394 turns per meter S twist, said cords showing a 3.2% shrinkage, 99 N LASE @ 5%, 252 N break strength, and 94% Ret BS Dynamic Flex Fatigue.

30 In the illustrated embodiment, the carcass ply is reinforced with 1100/1/3 PEN cords at a cord density of 26 to 30 e.p.i. (as measured at tire bead), said cords having an angle of 75° to 90° with respect to the equatorial plane of the tire.

Brief Description of Drawings

Fig. 1 is a cross-section of a tire of the invention.

35 Fig. 2 is a perspective view of a reinforcement ply used in the tire of the invention.

Detailed Description of the Invention

With reference now to Fig. 1, a tire 10 of the invention comprises a single carcass ply 16 wrapped around a pair of parallel annular beads 15, belt reinforcement 22 disposed over the carcass ply 16 in a crown portion 24 of the tire, tread 28 disposed over belt reinforcement 22 and sidewalls 26 disposed between tread 28 and beads 15. The belt reinforcement 22 may vary according to the size and design of the tire, and in the embodiment illustrated in the drawing comprises three belts 12, a gum rubber cushion layer 17, and an overlay 14.

The present inventors have found that PEN cords show heightened process sensitivity to twisting and treating conditions. By increasing the tension on the cords during dipping in an adhesive (typically an RFL latex adhesive) when the proper twist multipliers are used, the treated cord tenacity increases. In addition, more uniform (i.e. more reproducible) PEN treated cord tensile properties are obtained.

In the illustrated embodiment, a PEN yarn available from Allied Signal designated PENTEX 1P70, experimental code A701 (poly(ethylene-2,6-naphthalene dicarboxylate)) was treated by The Goodyear Tire & Rubber Company using special tensions and twisting. The inventors speculated that the properties of the PEN yarn, together with the proper pretreatment, would provide cords suitable for reinforcement cords in a carcass ply to be used in a monoply tire.

The test cord construction chosen for first iteration testing was 1100 dTex/1/3 cord having a twist of 394Z x 394S where the twist is given in turns per meter (tpm).

With reference now to Fig. 2, and as is known to those skilled in the art, the cords are generally woven into a textile fabric 20 for treatment, and the weft cords 13 of the textile fabric are broken or otherwise removed before the warp cords 11 are calendered into a ply, for example as illustrated in PCT/US 97/ 06757 filed 18/04/1997.

The PEN cords used in the invention were prepared using basically the same techniques described in the above application.

In the illustrated embodiment, the twisted cords were dipped twice in an RFL epoxy adhesive. In the first dip, the cords were subjected to a minimal tension to permit good penetration of the adhesive into the cords. After dipping the cords were passed through vacuum, by radiant heaters and dryers to reduce the fluidity of the adhesive, and onto a first major pull roll. After passing the first pull roll, the tensions applied by a second pull roll, about 1500-3200 lbs (in the illustrated embodiment 2000-2600 lbs) act on the cord as the cord passes through the set point in an oven. Thereafter, a third pull roll applies a tension of 1500-

3200 lbs (in the illustrated embodiment 1800-2400 lbs) as the cord enters a second adhesive dip and continues through vacuum, radiant heaters, drying ovens and cooling chambers and through the second set point in the oven, and to the third pull roll. Thereafter, the windup roll pulls the cord, using minimal tension, thereon for storage.

5 Set temperatures in the ovens may be 220 to 265° C depending on the adhesive used. Residence times may vary from 30 seconds to 120 seconds depending on the temperature and the adhesive used. The drying zone primarily reduces the fluidity of the adhesive so the adhesive sticks to the cord as it is transported by the vacuum and over the rolls, and the temperature in the drying zone (usually about 100 to 170° C) is sufficient for this purpose. In
10 the illustrated embodiment where an RFL epoxy adhesive was used, tensions in the first drying zone were maintained at 1000 lbs for 60 seconds residence at 140° C.

Those skilled in the art will recognize that tension, residence times and temperatures may be varied within reasonable limits.

The illustrated 1100 dTex/1/3 PEN filaments/cords 1100/1/3 394Zx394S, show a T-
15 Shrinkage of 3.2% a LASE @5% of 99N, a break strength of 252N, and a Dynamic Flex Fatigue (1" spindle) of 94% Ret BS (Retained Break Strength). LASE is short for Load at Specified Elongation.

It is believed that PEN cords having a linear density of 2000 to 8000 dTex and a twist multiplier of 5 to 10, and showing a shrinkage of 2.5% to 7%, a LASE @5% of 85 to 115 N,
20 a break strength of 200 to 350 N, and a 90% to 100% Retained break strength based on the Dynamic Flex Fatigue test, can be used in the invention. Such cords would be used in a monopoly carcass at a cord density of 20 to 40 ends per inch (e.p.i. measured at tire bead).

The heavier dTex cords, 4000 to 8000 dTex are believed to be most applicable to light truck and medium truck tires, and the lower dTex cords, 2000 to 4000 dTex, are believed to
25 be most applicable to passenger car tires, although those skilled in the art will recognize that there may be some overlap in the ranges.

As described herein, unless otherwise indicated, cord linear densities are given in dTex and the twists (Z,S) are given in turns per meter. As is conventional in the art, Z denotes a left hand twist and S denotes a right hand twist, and the first number in the twist part of the
30 construction is the twist of the yarn (sometimes referred to as ply) and the second number is the twist of the cord (sometimes referred to as the cable twist).

It is believed that tires of the invention will have suitable properties when the cord has a twist multiplier (TM) of 5-10, preferably 6-9. The TM is defined by the formula

$$TM = ((\text{tpm} \times 0.0254) \times (\text{dTex}/1.111))/73$$

where dTex represents the linear density of the bulk greige yarn.

Yarn twists and cable twists can be the same or different and can be from 118 tpm to 630 tpm depending on the linear density or the dTex of the yarn, and the limitation that the cord twist multiplier be 5-10.

While evaluating cords made using the PEN material, it was found that PEN material is more sensitive to compression fatigue than PET (polyethylene terephthalate) polyesters when compared on an equal construction basis. Based on this observation, the inventors knowledge of tire durability requirements, and more intensive fatigue screening, it was predicted that if a PEN cord (constructed as: 1100/1/3) was subjected to additional twisting (e.g. 394x394 tpm in place of (ipo) typically 335x335 tpm), such a PEN cord could withstand the additionally applied stresses encountered by the reinforcement cords in a large monopoly (ipo 2-ply) passenger/RLT tire.

The cord construction of the invention, coupled with PEN's inherent properties, makes it possible to reduce ply count on the current 2-ply passenger and RLT tires to a single ply. The resulting effect is a tire that shows comparable durability, equivalent sidewall indentation growth, and improved handling over a comparable 2-ply PET polyester carcass reinforced tire. In addition, the overall tire weight is reduced, which may provide additional benefits such as lower rolling resistance, lower flat spotting, and reduced "Give Up".

A typical PET polyester reinforcement is constructed as an 1100/1/3, 335Zx335S tpm cord for use in monopoly passenger and 2-ply RLT tires.

A typical 2-ply passenger tire uses a 1100/1/2, 472Zx472S tpm cord PET construction to achieve the level of carcass durability required.

Accordingly, it was also predicted that if PET polyester is constructed as a 1100/1/3 394Zx394S tpm cord, the durability would be satisfactory, but the resultant tire uniformity (e.g. SWI) and performance (i.e. handling, give-up) would be poorer than that seen in a similar two-ply tire. The illustrated 1100/1/3, 394Zx394S tpm PEN cord provides equal durability and a higher modulus than the comparable PET cords.

Sample tires made using the PEN cords were equivalent to the prior art two ply tires for most parameters, yet did not exhibit sidewall distortion around the splices as was seen in other attempts at building monopoly tires using PET. And surprisingly, the tires of the invention showed enhanced wet handling properties, and reduced harshness and improved handling properties. These results are encouraging, considering that the tires were not optimized for the monopoly construction

but were made close to the specifications of the prior art two ply tires.

The invention is further illustrated with reference to the following examples.

EXAMPLE 1

This example shows the evaluation of Allied PENTEX IP70 PEN as Ply and Overlay
 5 in a P215/60R16 Invicta GA(L) tire. Allied PENTEX is a polyethylene naphthalate (PEN)
 which was used to make a tire cord that has superior strength, LASE, and dimensional
 stability as compared to conventional polyethylene terephthalate (PET) tire cords. Tire
 evaluations were carried out on the P215/60R16 Invicta GA(L), since this is a speed rated tire
 that is aimed at the luxury market, and provides a good test-bed for measuring potential
 10 improvements of high speed, ride, handling, flatspotting, and sidewall undulations.

The following constructions were evaluated:

	CONSTRUCTION	PLY	OVERLAY
	40A	(1100/2 PET)	(940/2 NYLON)
	41A	(1100/2 PEN)	(940/2 NYLON)
15	42A	(1100/2 PET)	(1100/2 PEN)
	43A	(1100/2 PEN)	(1100/2 PEN)

SUMMARY:

1. Tire uniformity was comparable for all construction variations.
2. Durability evaluations showed mixed results on DOT High Speed testing with
 20 all tires having a similar failure mode of button chunking and shoulder lug separations. DOT
 Endurance had all tires stop finish, as did the Outdoor resiliometer (with 43A stopped early to
 facilitate getting cord samples in time to meet program deadlines). Extracted cord analysis did
 not indicate any loss of durability.
3. Force and Moment showed all constructions to be comparable.
- 25 4. Static Measurements showed all constructions to have comparable footprints,
 loading, and dimensions.
5. Subjective Harshness showed all constructions to be marginally down up to 0.5
 point.
6. Subjective Wet Handling showed all PENTEX constructions to give improved
 30 elapsed times, with the PENTEX overlay constructions having quickest times and best
 overall response characteristics.
7. ATE evaluations were done with the PENTEX as ply and as overlay. All
 constructions stop/finished, with no constructions showing excessively high holographic
 ratings. Accompanying cord analysis did not show any loss in cord strengths.
- 35 8. Sidewall undulation measurements were evaluated utilizing a Banzai gauge.

However, the 2-ply tire construction was so 'robust' that no undulations were ever observed (for either the PET or PEN constructions), even after over-inflating the tires and subjecting them to a one-week oven soak.

SUMMARY

- 5 1. No durability loss was seen in any of the PENTEX tests conducted in this tire evaluation.
- 2. PENTEX PEN may further contribute to reduction of flatspotting.

OBSERVATIONS:

- 10 1. Since measurement of sidewall undulations did not show any significant change (either for control or experimental constructions), it appears that the PENTEX PEN would be useful either in a higher pressure RLT construction or in a conventional monople passenger construction (higher aspect ratio).
- 2. Possibly a high performance construction with the optimization of the 1100/1/2 PENTEX PEN cord construction would take advantage of the increased strength and LASE at
15 a lower EPI.

Some of the data in the tables below use normalized values where the control is equal to 100. A number less than 100 indicates properties inferior to the control, and number above 100 indicates properties superior to the control, except for weight data and flatspotting data, unless indicated otherwise.

20 Table I

P215/60R16 Invicta GAL (IGAL)

	<u>40A</u>	<u>41A</u>	<u>42A</u>	<u>43A</u>
25 uniformity				
RFV	100	80	93	94
R1H	100	65	88	84
durability-FMVSS 109 DOT High Speed (Fed. Govt. A-grade = 527.5 mi)				
30 Miles	807	927	726	805
	801	925	754	786
--FMVSS-109 DOT ENDURANCE, EXTENDED, QC CERTIF.(2145 mi to pass)				
35 Miles	2152	2162	2165	2154
	2154	2145	2145	2191

-- OUTDOOR RESILIOMETER, 55 MPH

	rating	100	101	101	95
	Plunger energy certification--FMVSS-109				
5	rating	100	97	103	94

FORCE AND MOMENT (100% TRA load @ 207Kpa)

10	cornering coeff.	100	99	102	99
	aligning torque	100	101	100	102

EXAMPLE 2

This example provides an evaluation of Monoply PEN and PET Materials ipso 2-Ply
 15 PET in a P225/75R15 Invicta GS (IGS).

As the tire size increases, the material demands for strength and dimensional stability
 are pushed to higher levels. To evaluate both constructional and material changes needed to
 replace the conventional 2-ply reinforced with 1100/1/2 472Z x 472S PET cords
 (P225/75R15 Invicta GS) with a monoply construction, a monoply reinforced with 1440/1/3
 20 315Z x 315S PET cords was used to construct an otherwise identical tire. For the material
 evaluation, a monoply reinforced with 30 EPI 1100/1/3 394Z x 394S PEN cords (polyethylene
 naphthalate cord material from AlliedSignal) was used in place of the conventional 2-ply
 reinforced with 1100/1/2 PET cords. 1440/1/3 PET cords are a readily available material that
 is used extensively in RLT applications. The 1100/1/3 PEN (Allied PENTEX) is a material
 25 having increased strength and dimensional stability over conventional PET. Upon completion
 of durability testing, tires were sampled to obtain residual cord property analysis.

SUMMARY:

1. Prior evaluation of PEN indicated potential for utilization as a monoply tire
 material. A readily available 1440/1/3 PET cord was also evaluated.
- 30 2. Tires were intentionally built with multiple builder splices of 1/2", 3/4" and
 1" and were tested for sidewall undulations. Testing showed that conventional 1440/1/3
 PET was consistent with previous PET monoply evaluations in that it had almost twice the
 indentation as a 2-ply tire. The PEN on the other hand, matched the 2-ply PET undulation
 while still utilizing a monoply construction. This testing was dramatically exaggerated since
 35 it was run after inflating the tires at 55 PSI for 7 days.
3. Uniformity data showed both monoply constructions to be slightly higher for all
 measured parameters. However, these tires were not tuned, but merely represented an 'as is'

first attempt construction. Sampling showed that a weight savings of almost one pound could be realized with either monopoly construction.

4. Static Measurement data showed very comparable deflection and footprint measurements for the monopoly vs the 2-ply constructions.

5 5. DOT comparisons showed the monopoly and 2-ply tires to perform comparably. Plunger energy for the 1440/1/3 was slightly higher than the 2-ply control, while the PEN monopoly construction was comparable to the two ply control.

6. Bead durability (W14) and ODR were inconsistent but tended to show monopoly constructions down slightly.

10 7. ATE testing showed all constructions to be comparable as measured by holography. Residual cord pull testing indicated that both the PET and PEN monopoly materials had retained sufficient strength consistent with previous testing of both 2-ply and monopoly materials.

15 8. Wet and Dry Subjective Handling showed both monopoly constructions to perform adequately versus the 2-ply control, with the PEN having a distinct advantage, especially in the wet.

9. Subjective Noise, Harshness, and Handling tests again showed the PEN monopoly to outperform the 2-ply control, while the PET monopoly was equivalent to the control.

20 10. ECE High Speed had the PEN down one speed step while the PET was comparable to the 2-ply control (this program represents a first iteration test with no tire tuning).

11. Rolling Resistance was comparable for all constructions.

25 12. Force and Moment testing showed both monopoly constructions to have a higher aligning torque and cornering coefficient, which would indicate potential for improved handling. This was proved to be the case as exhibited in ride testing results.

13. A slight improvement was seen for flatspotting for the monopoly constructions.

30 14. Sidewall penetration (a concern with larger size monopoly tires) was evaluated using the Smithers Sidewall Pendulum test, and showed the monopoly constructions to be comparable to the 2-ply control. The 1440/1/3 PET did in fact exceed the 2-ply tire for sidewall impact durability.

15. Burst testing showed the monopoly constructions to exceed the 2-ply control.

CONCLUSIONS:

1. From a durability standpoint, both the 1440/1/3 PET and the 1100/1/3 PEN performed comparable to the 2-ply control.

2. Sidewall indentation testing with 'exaggerated' splices showed the monople PEN to be comparable to the 2-ply control. The 1440/1/3 PET, however, exhibited typical indentations seen with other monople PET constructions.

3. Ride and Handling data show both monople construction to perform satisfactorily as compared to the 2-ply control, with the 1100/1/3 PEN having a distinct advantage in Subjective Wet, Subjective Harshness, and Subjective Handling over the 1100/1/2 2-ply control.

4. Sidewall impact does not appear to be an issue for either monople material, as measured by the Smithers Sidewall Pendulum test.

Table 2

P225/75R15 IGS	<u>20A</u>	<u>21A</u>	<u>22A</u>
PLY CONSTRUCTION	2 PLY	MONOPLY	MONOPLY
PLY TYPE	1100/1/2 PET	1100/1/3 PEN	1440/1/3 PET
UNIFORMITY DATA			
Weight	100	96	97
RFV	100	109	117
R1H	100	116	111
P225/75R15 IGS	<u>20A</u>	<u>21A</u>	<u>22A</u>
STATIC MEASUREMENTS			
DEFLECTION / LOAD			
26 PSI	=	=	=
35 PSI	=	=	=
60 PSI	=	=	=
FOOTPRINT MEASUREMENTS			
AREA (Gross/Net)	=	=	=
LENGTH (Max/Centerline)	=	=	=
WIDTH (Max/Centerline)	=	=	=
DOT ENDURANCE			
MILES	2145	2145	2148
	2145	2145	2201
FMVSS-109 & 119 UTQGL HIGH SPEED			
Miles	529	502	540
	541	532	532
-- PLUNGER ENERGY CERTIFICATION			
relative energy	100	95	130

DURABILITY DATA

-- OUTDOOR RESILIOMETER, 55 MPH

		100	87	76
	GRAVEL WHEEL -	100	100	100
5	BEAD DURABILITY -	100	67	67
	ATE	=	=	=
	FRONTS (@ 36 K miles)	=	=	=
	REARS (@ 36 K miles)	=	=	=
	DRY HANDLING	=	=	=
10	AVE. LAP TIME	56.96/56.84		
	SUBJECTIVE WET HANDLING	=	=	=
	AVE. LAP TIME	60.11	59.81	59.97
	SUBJECTIVE NOISE	=	=	=

15

SUBJECTIVE HARSHNESS

		=	+	+
	SUBJECTIVE HANDLING	=	+	=
20	ECE HIGH SPEED(steps)	=	-1	=
	ROLLING RESISTANCE	100	99	100
	FORCE & MOMENT (100% TRA load @207 Kpa)			
	cornering coefficient	100	102	101
	aligning torque	100	102	101
25	FLATSPOTTING	100	76	84
	1-Min	100	75	75
	2-Min	100	71	82

X99A - SMITHERS SIDEWALL PENDULUM DROP TEST

30	P225/75R15 IGS	20A	21A	22A
	P225/75R15 IGS	20A	21A	22A

Pendulum Ht (mm)

35	100	O O O D	O O O O	O O O O
	200	D O D D	D O D O	O O D D
	300	D D D D	D D D D	D D D D
	400	X X X X	X X X X	X D D D
	500			D D D
40	600			D D X
	700			X X

(Note:4 tires/constn tested O= No Damage D= Damage X= Burst

While the invention has been variously illustrated and described, those skilled in the art will recognize that the invention can variously modified and practiced without departing from the spirit of the invention. The invention is limited only by the scope of the following claims.

CLAIMS

1. A pneumatic tire comprising a pair of parallel annular beads, a single carcass ply comprising polyethylene naphthalate (PEN) reinforcement cords wrapped around said beads, a belt package disposed radially outward of said carcass ply in a crown area of the tire, tread disposed radially outward of said belt package, and sidewalls disposed between said tread and said beads, wherein said PEN reinforcement in said carcass ply comprises 2000 to 8000 dTex cords having a twist multiplier of 5 to 10, said cords showing a shrinkage of 2.5% to 7%, a LASE @5% of 85 to 115N, a break strength of 200 to 350 N, a 90% to 100% Ret BS Dynamic Flex Fatigue, and a cord density of 25 to 40 ends per inch (e.p.i. measured at tire bead).
2. A pneumatic tire comprising a pair of parallel annular beads, a single carcass ply comprising poly(ethylene 2-6 naphthalene dicarboxylate) reinforcement cords wrapped around said beads, a belt package disposed radially outward of said carcass ply in a crown area of the tire, tread disposed radially outward of said belt package, and sidewalls disposed between said tread and said beads, wherein said reinforcement cords in said carcass ply comprise 1100/1/3 dTex cords with a 394 turns per meter Z x 394 turns per meter S twist, said cords showing 3.2% shrinkage, 99 N LASE @ 5%, 252 N break strength, and 94% Ret BS Dynamic Flex Fatigue.
3. The pneumatic radial tire of claim 2 wherein said carcass ply is reinforced cords at a cord density of 26 to 30 (e.p.i. measured at tire bead), said cords having an angle of 75° to 90° with respect to the equatorial plane of the tire.
4. A cord for reinforcing a pneumatic tire wherein said cord comprises 2000 to 8000 dTex PEN having a shrinkage of 2.5% to 7%, a LASE @5% of 85 to 115N, a break strength of 200 to 350 N, wherein said cord is dipped with an adhesive and is prepared with a twist multiplier of 5 to 10, and has a 90% to 100% Ret BS Dynamic Flex Fatigue.
5. The cord of claim 5 wherein said PEN is poly(ethylene 2-6 naphthalene dicarboxylate).

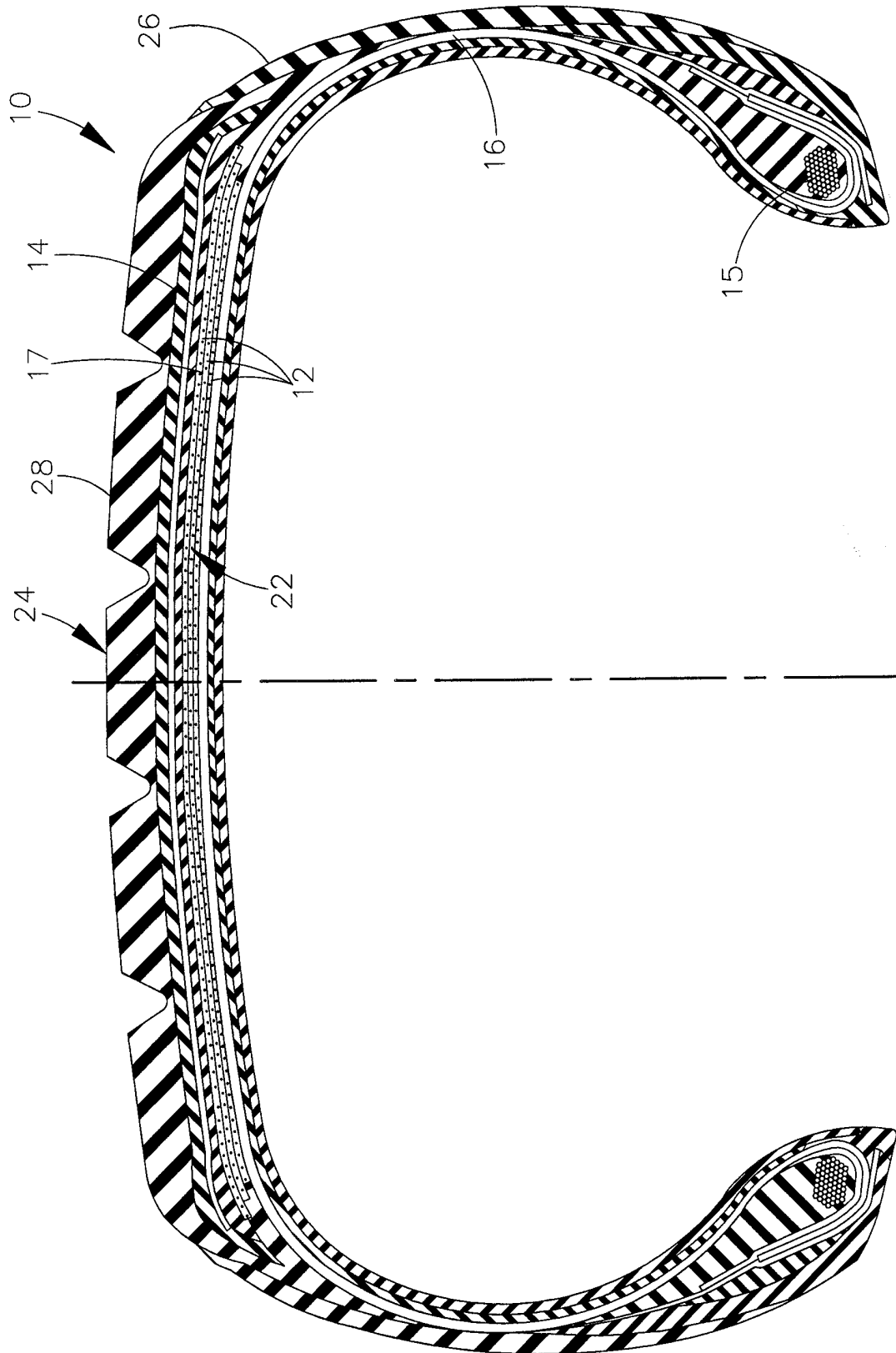


FIG. 1

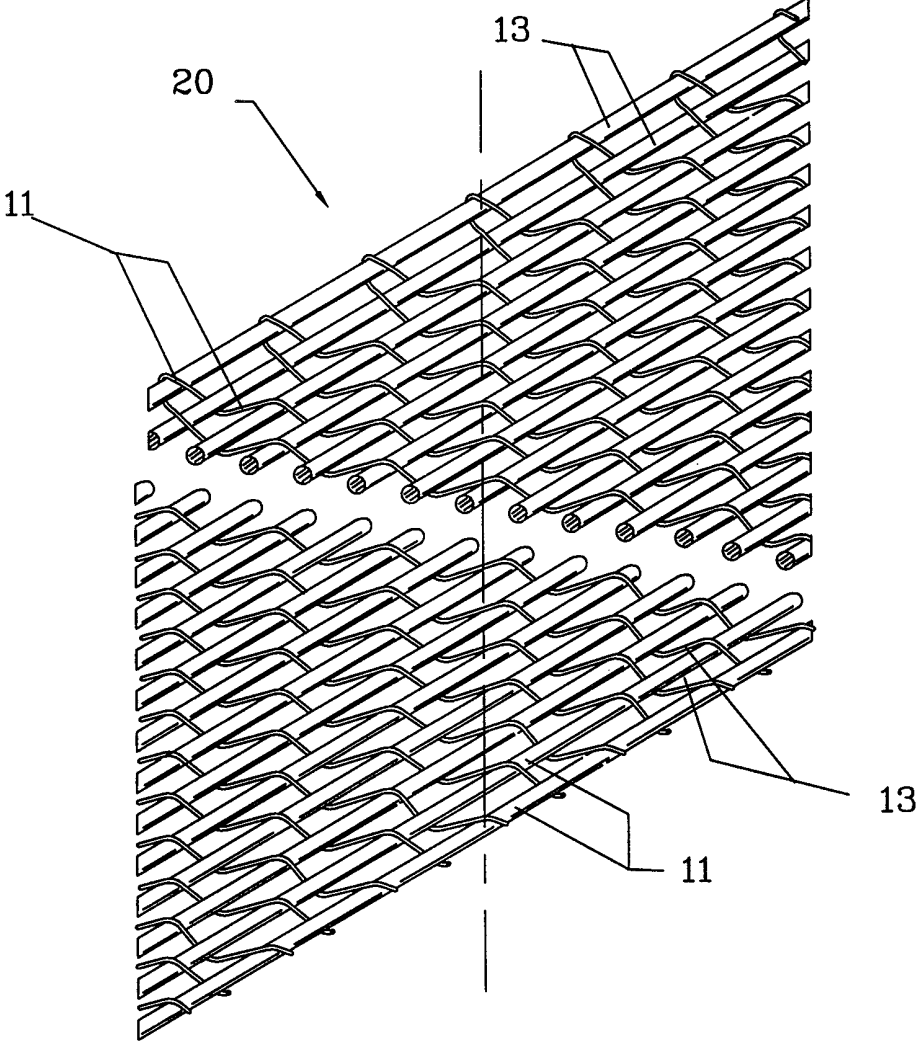


FIG. -2

INTERNATIONAL SEARCH REPORT

Internationa Application No
PCT/US 98/19079

A. CLASSIFICATION OF SUBJECT MATTER
 IPC 6 B60C9/00 B60C9/04 B60C9/08 D02G3/48

According to International Patent Classification (IPC) or to both national classification and IPC

B. FIELDS SEARCHED

Minimum documentation searched (classification system followed by classification symbols)
 IPC 6 B60C D02G

Documentation searched other than minimum documentation to the extent that such documents are included in the fields searched

Electronic data base consulted during the international search (name of data base and, where practical, search terms used)

C. DOCUMENTS CONSIDERED TO BE RELEVANT

Category °	Citation of document, with indication, where appropriate, of the relevant passages	Relevant to claim No.
X	WO 98 14336 A (REUTER RENEFRANCOIS) 9 April 1998	4, 5
A	see column 1, line 7 - line 9 see column 1, line 48 - column 2, line 12 see column 4, line 27 - column 5, line 40 ---	1-3
A	US 3 929 180 A (KAWASE SHOJI ET AL) 30 December 1975 see column 2, line 42 - line 63 see column 4, line 42 - line 53 see column 5, line 10 - line 17 see column 8, line 37 - line 44 see tables 4,7,8 --- -/--	1-5

Further documents are listed in the continuation of box C.

Patent family members are listed in annex.

° Special categories of cited documents :

- "A" document defining the general state of the art which is not considered to be of particular relevance
- "E" earlier document but published on or after the international filing date
- "L" document which may throw doubts on priority claim(s) or which is cited to establish the publication date of another citation or other special reason (as specified)
- "O" document referring to an oral disclosure, use, exhibition or other means
- "P" document published prior to the international filing date but later than the priority date claimed

- "T" later document published after the international filing date or priority date and not in conflict with the application but cited to understand the principle or theory underlying the invention
- "X" document of particular relevance; the claimed invention cannot be considered novel or cannot be considered to involve an inventive step when the document is taken alone
- "Y" document of particular relevance; the claimed invention cannot be considered to involve an inventive step when the document is combined with one or more other such documents, such combination being obvious to a person skilled in the art.
- "&" document member of the same patent family

Date of the actual completion of the international search

29 April 1999

Date of mailing of the international search report

14/05/1999

Name and mailing address of the ISA

European Patent Office, P.B. 5818 Patentlaan 2
 NL - 2280 HV Rijswijk
 Tel. (+31-70) 340-2040, Tx. 31 651 epo nl,
 Fax: (+31-70) 340-3016

Authorized officer

Bibollet-Ruche, D

INTERNATIONAL SEARCH REPORT

International Application No. _____

PCT/US 98/19079

C.(Continuation) DOCUMENTS CONSIDERED TO BE RELEVANT

Category °	Citation of document, with indication, where appropriate, of the relevant passages	Relevant to claim No.
A	GB 1 310 316 A (BRIDGESTONE TIRE CO LTD) 21 March 1973 see page 2, line 1 - line 21 see page 2, line 42 - line 59 see table 2 see page 13, line 15 - line 22 -----	1-5
A	WO 90 06383 A (ALLIED SIGNAL INC) 14 June 1990 see page 1, line 2 - line 5 see page 2, line 5 - line 13 see page 3, line 10 - line 23 see page 11, line 31 - page 12, line 9 see page 12, line 27 - line 36 see tables 1,2 -----	1-4

INTERNATIONAL SEARCH REPORT

Information on patent family members

International Application No

PCT/US 98/19079

Patent document cited in search report	Publication date	Patent family member(s)	Publication date
WO 9814336 A	09-04-1998	US 5855704 A	05-01-1999
		AU 4245397 A	24-04-1998
US 3929180 A	30-12-1975	JP 50055004 A	15-05-1975
		JP 56015321 B	09-04-1981
		AU 7346974 A	25-03-1976
		BE 820141 A	16-01-1975
		CA 1011236 A	31-05-1977
		DE 2445035 A	03-04-1975
		FR 2244634 A	18-04-1975
		NL 7412466 A	24-03-1975
		NONE	
GB 1310316 A	21-03-1973	NONE	
WO 9006383 A	14-06-1990	US 4867936 A	19-09-1989
		AU 638680 B	08-07-1993
		AU 4302789 A	26-06-1990
		CA 2002165 A	08-06-1990
		CN 1043164 A, B	20-06-1990
		DE 68908567 T	02-12-1993
		EP 0447402 A	25-09-1991
		JP 4502181 T	16-04-1992
		MX 165353 B	05-11-1992
		TR 26193 A	15-02-1995