



US00D999352S

(12) **United States Design Patent**
Kim et al.

(10) **Patent No.:** **US D999,352 S**

(45) **Date of Patent:** **** Sep. 19, 2023**

(54) **AIR CONDITIONER**

FOREIGN PATENT DOCUMENTS

(71) Applicant: **Samsung Electronics Co., Ltd.**, Suwon-si (KR)

CN 201130074894 11/2011
CN 201830154264 6/2018

(Continued)

(72) Inventors: **Kangdoo Kim**, Suwon-si (KR); **Sangin Lee**, Suwon-si (KR); **Suhyun Yoo**, Suwon-si (KR)

Primary Examiner — Natasha Vujcic
(74) *Attorney, Agent, or Firm* — NSIP Law

(73) Assignee: **Samsung Electronics Co., Ltd.**, Suwon-si (KR)

(57) **CLAIM**

The ornamental design for an air conditioner, as shown and described.

(**) Term: **15 Years**

(21) Appl. No.: **29/713,010**

DESCRIPTION

(22) Filed: **Nov. 13, 2019**

(30) **Foreign Application Priority Data**

May 23, 2019 (KR) 30-2019-0024455

FIG. 1 is a front perspective view of an air conditioner showing our new design; FIG. 2 is a front view thereof; FIG. 3 is a rear view thereof; FIG. 4 is a left-side view thereof; FIG. 5 is a right-side view thereof; FIG. 6 is a top view thereof; FIG. 7 is a bottom view thereof; FIG. 8 is a bottom perspective view thereof; FIG. 9 is an enlarged view of the encircled portion in FIG. 1; FIG. 10 is an enlarged view of the encircled portion in FIG. 2; FIG. 11 is an enlarged view of the encircled portion in FIG. 7; and FIG. 12 is an enlarged view of the encircled portion in FIG. 8.

(51) **LOC (14) Cl.** **23-04**

(52) **U.S. Cl.**
USPC **D23/351**

(58) **Field of Classification Search**
USPC D23/333, 351-354, 388
CPC F24F 1/00; F24F 1/0007; F24F 1/02; F24F 1/08; F24F 1/42; F24F 1/56; F24F 1/60; F24F 3/044; F24F 3/048; F24F 3/16; G05D 23/1905; G05D 23/1932; G05D 23/1902; G05D 23/1931; G05B 19/0426; G05B 19/409; G05B 15/02
See application file for complete search history.

The tiny circles illustrated on front and bottom surfaces in the figures are the perforations to discharge the cool air outside.

The dash-dash broken lines in the figures depict portions of the air conditioner which form no part of the claimed design. The dot-dash broken lines in the figures represent a boundary of the claimed design and form no part thereof.

The dot-dot-dash broken lines encircling portions of the claimed design that are illustrated in enlargements form no part of the claimed design.

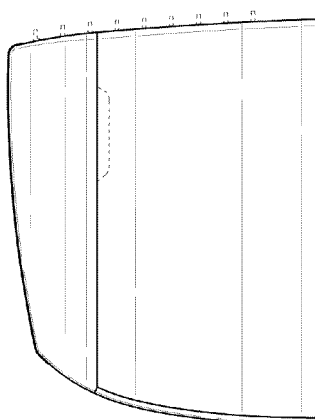
(56) **References Cited**

U.S. PATENT DOCUMENTS

D529,595	S *	10/2006	Ueno et al.	D23/351
D553,724	S *	10/2007	Nakamura	D23/351
D613,842	S *	4/2010	Yamashita	D23/351
D616,083	S *	5/2010	Saitou	D23/351
D621,018	S *	8/2010	Nagahori et al.	D23/351
D628,686	S *	12/2010	Motonishi et al.	D23/351
D681,180	S *	4/2013	Chouji	D23/351
D689,179	S *	9/2013	Nishiguchi	D23/351

(Continued)

1 Claim, 9 Drawing Sheets



(56)

References Cited

U.S. PATENT DOCUMENTS

D690,801	S	*	10/2013	Nakai et al.	D23/351
D720,059	S	*	12/2014	Niki	D23/351
D720,060	S	*	12/2014	Murai et al.	D23/351
D720,445	S	*	12/2014	Murai et al.	D23/351
D801,498	S	*	10/2017	Li et al.	D23/351
D814,617	S	*	4/2018	Shin et al.	D23/351
D825,729	S	*	8/2018	Shin et al.	D23/351
D922,553	S	*	6/2021	Kim et al.	D23/351

FOREIGN PATENT DOCUMENTS

EM	004675155-0001	2/2018
KR	30-2010-0032348	5/2012
KR	30-2012-0042642	10/2013

* cited by examiner

FIG. 1

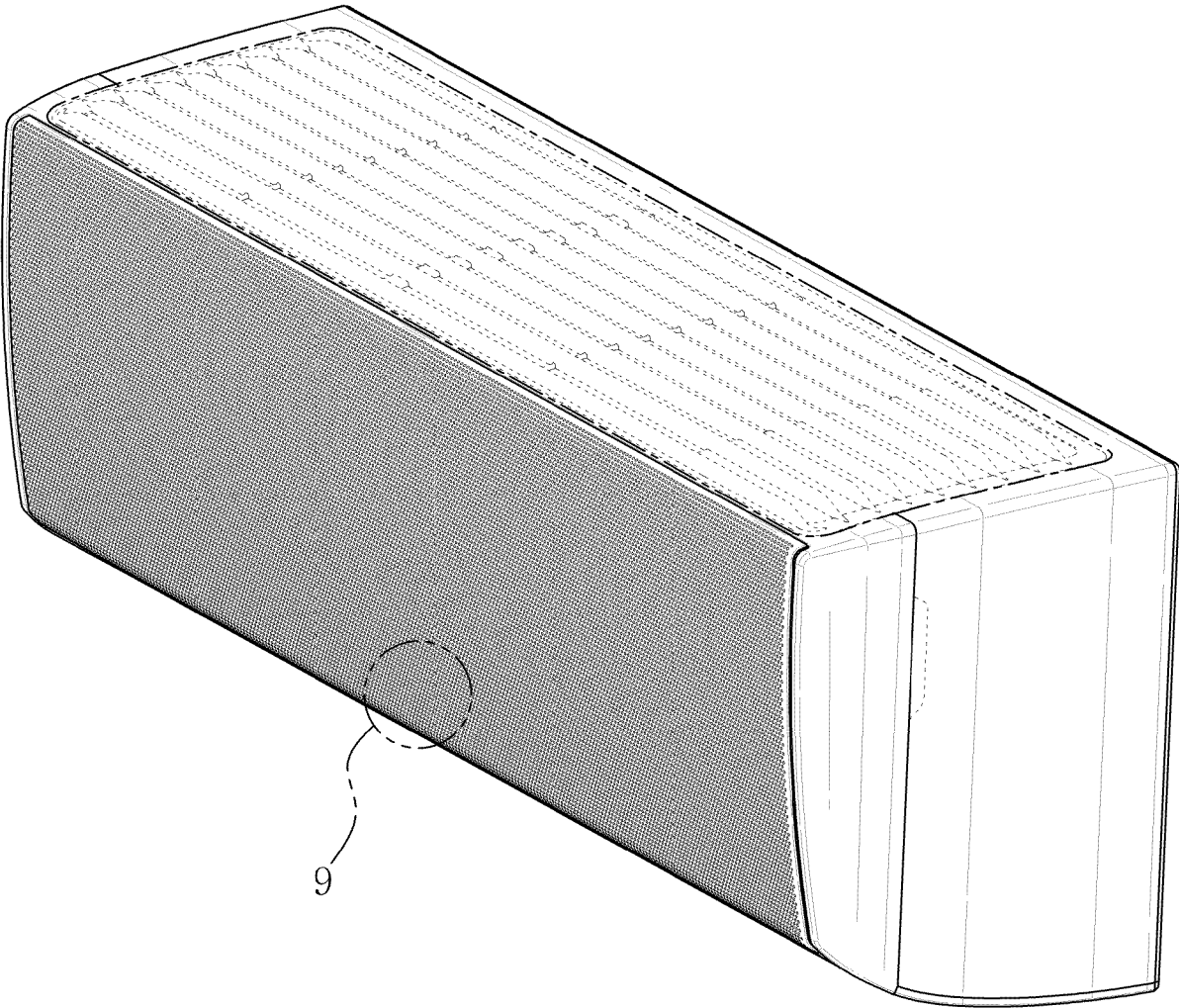


FIG. 2

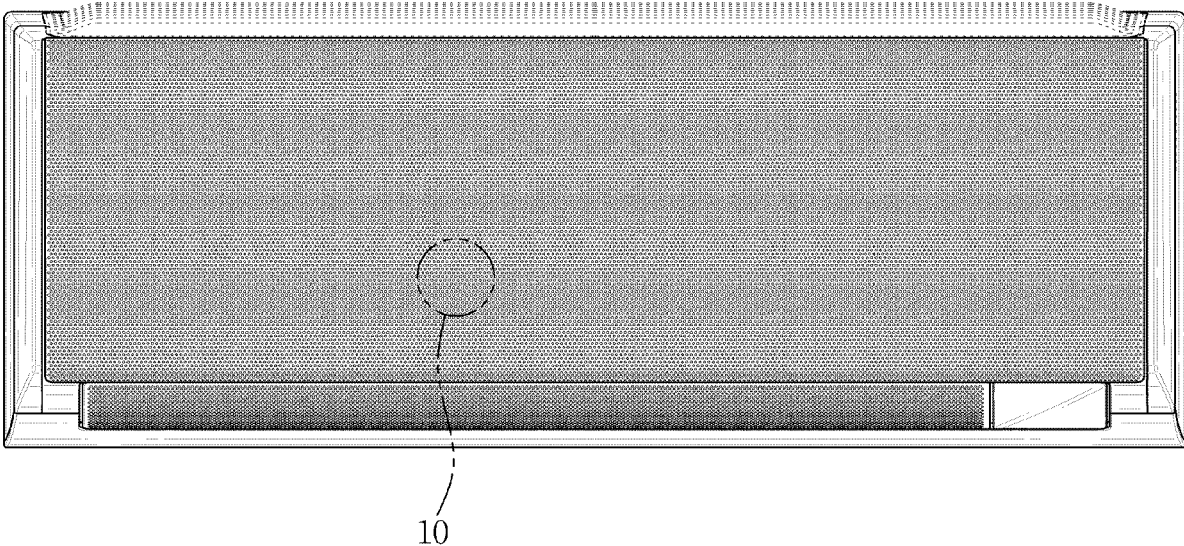


FIG. 3

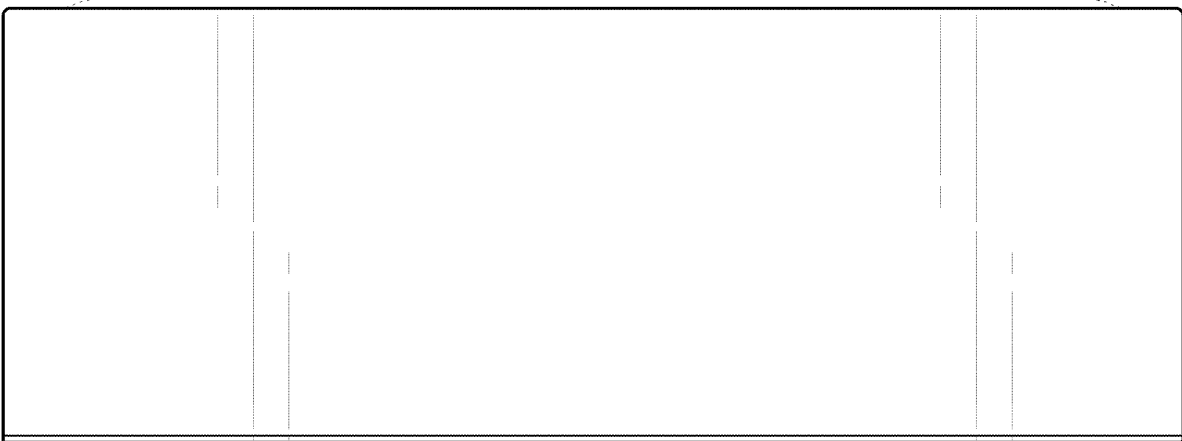


FIG. 4

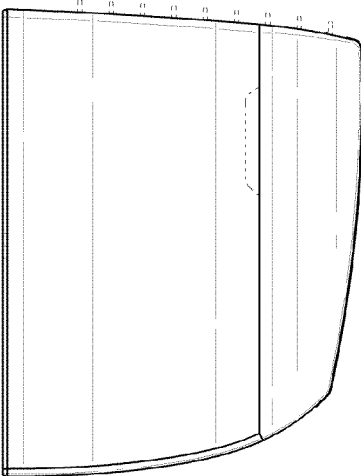


FIG. 5

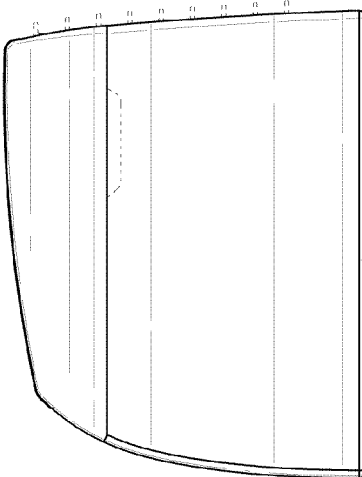


FIG. 6

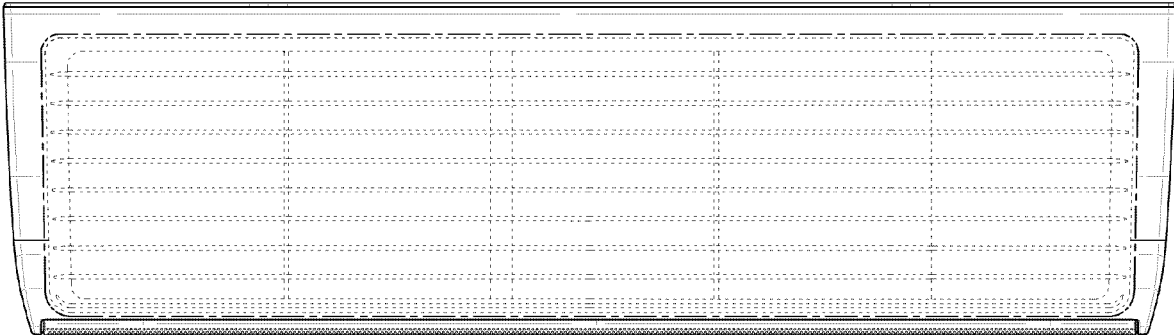


FIG. 7

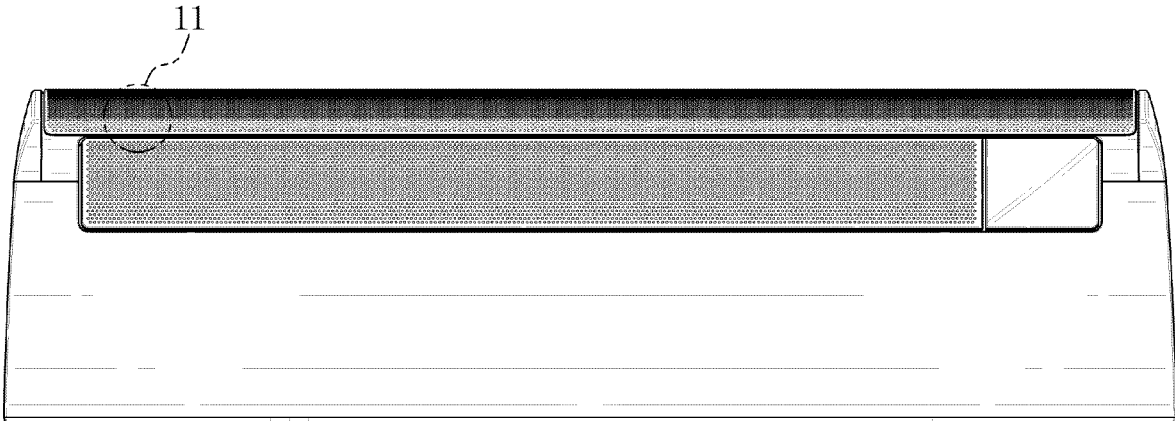


FIG. 8

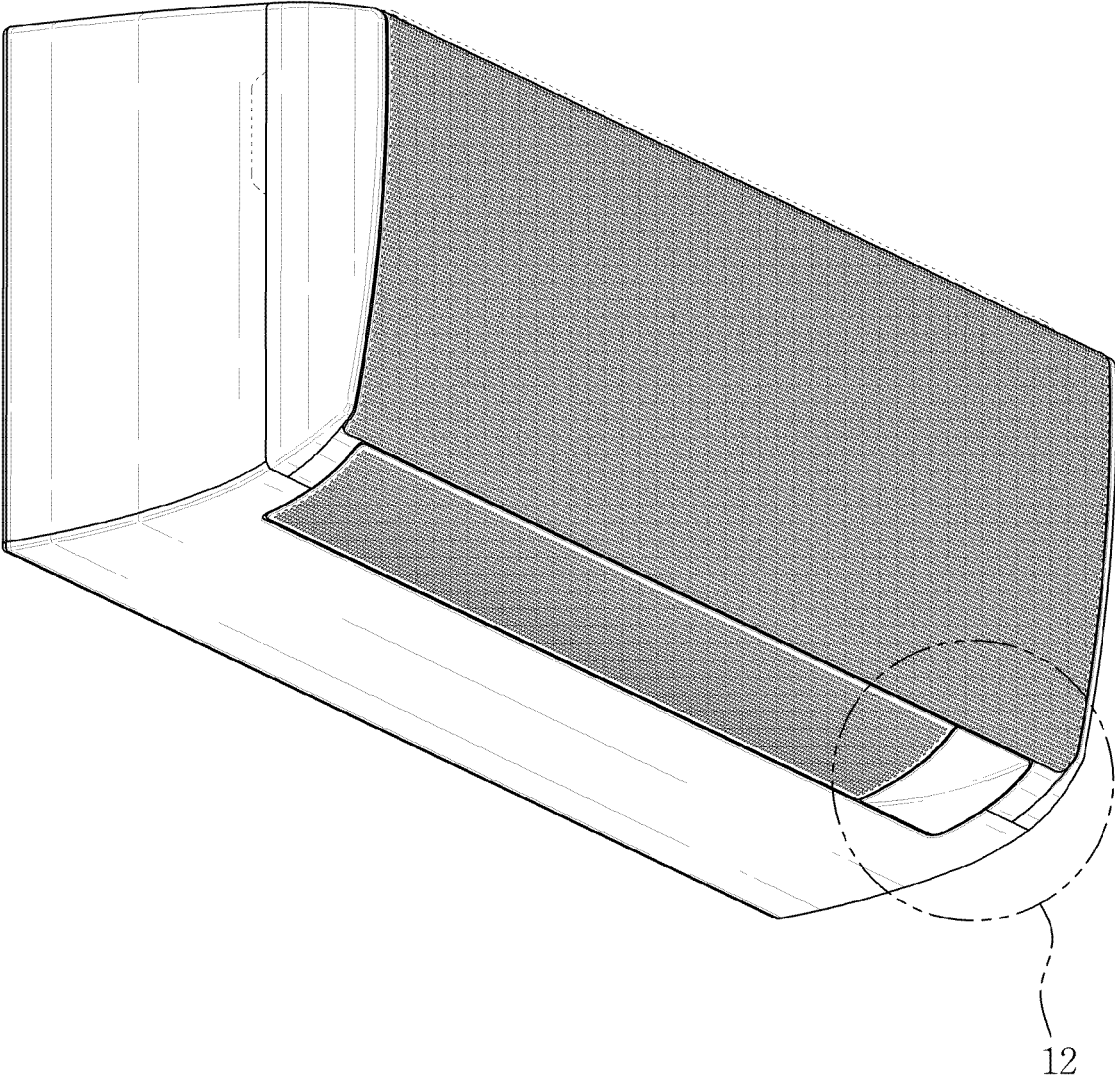


FIG. 9

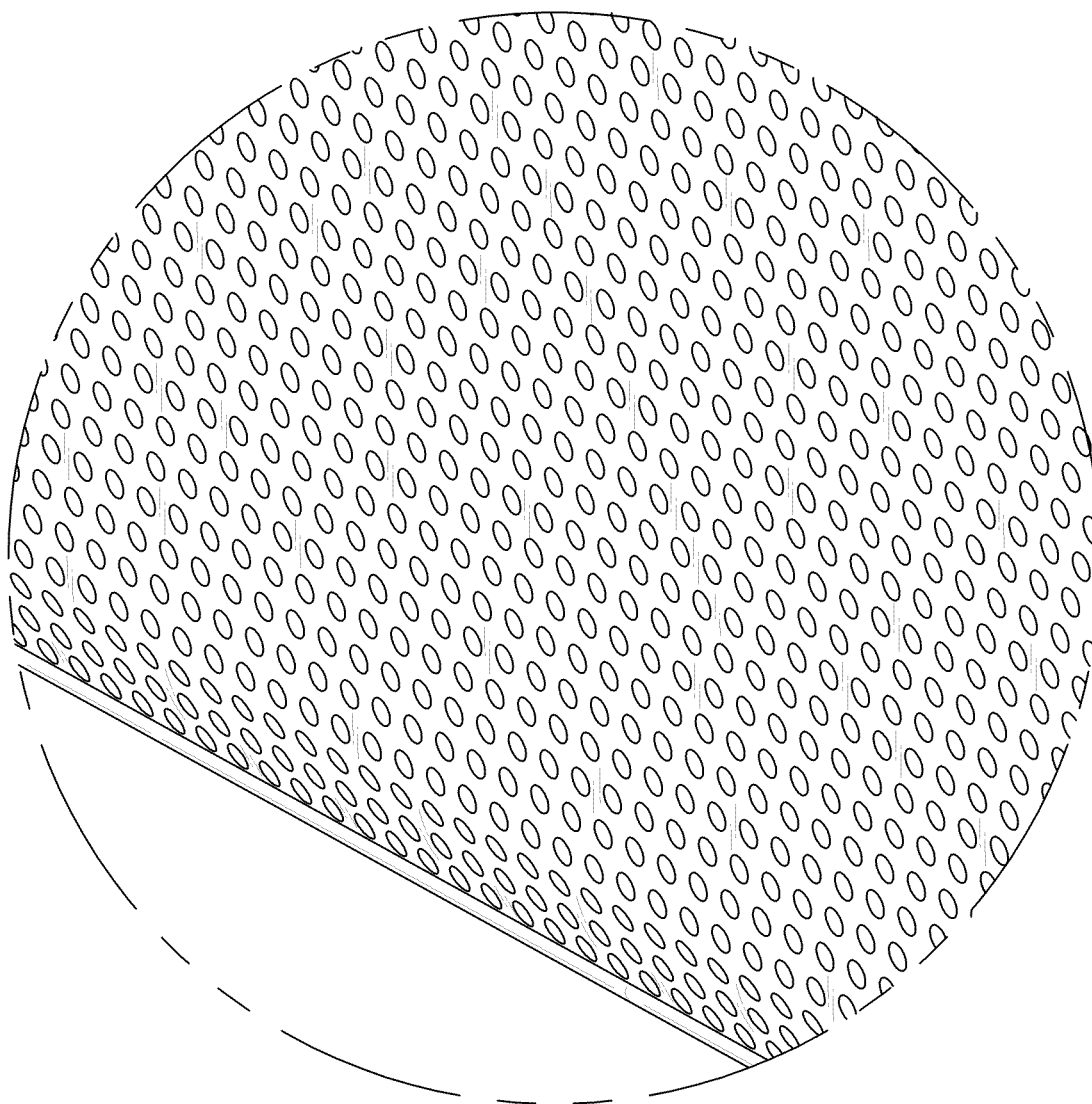


FIG. 10

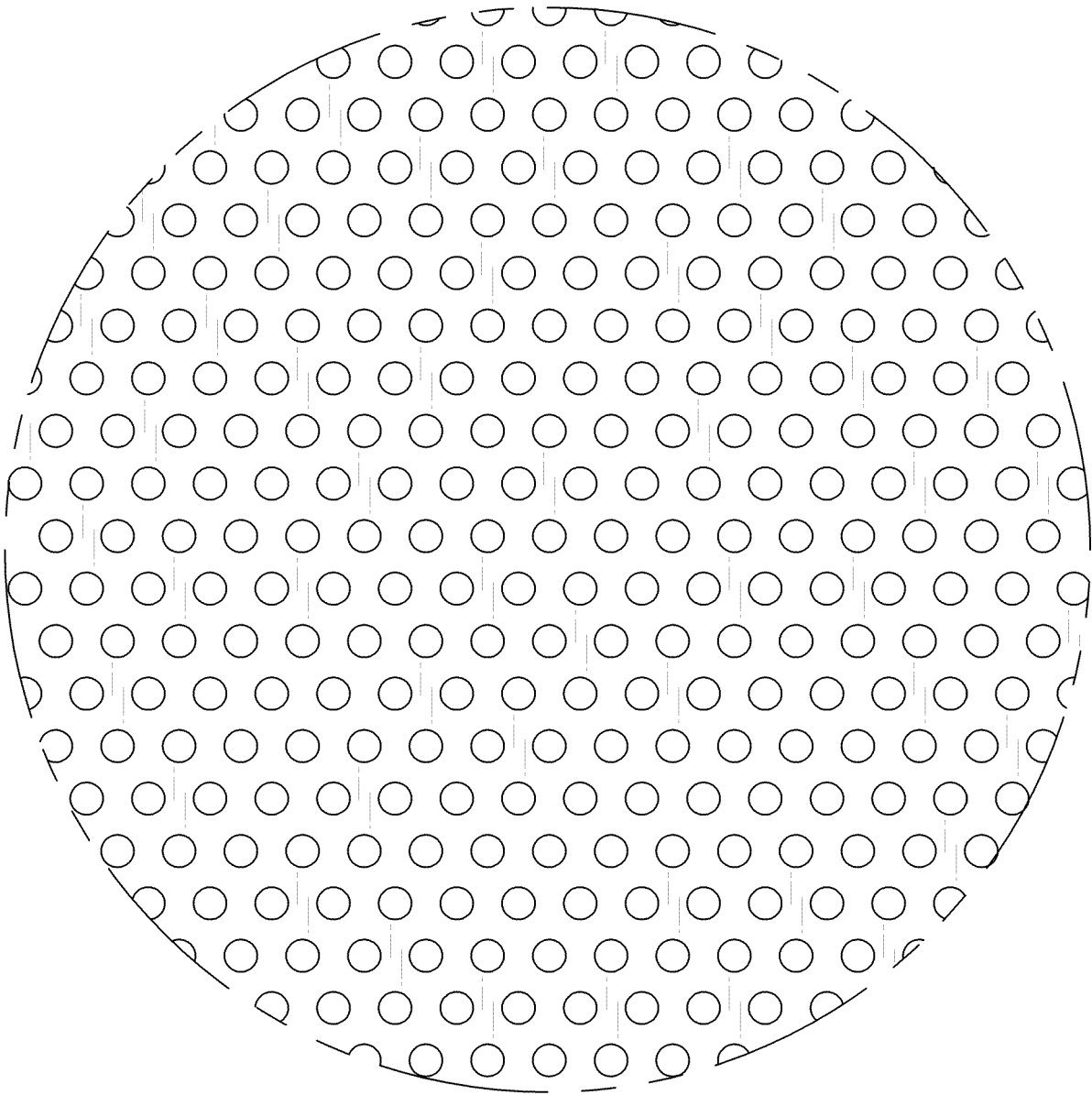


FIG. 11

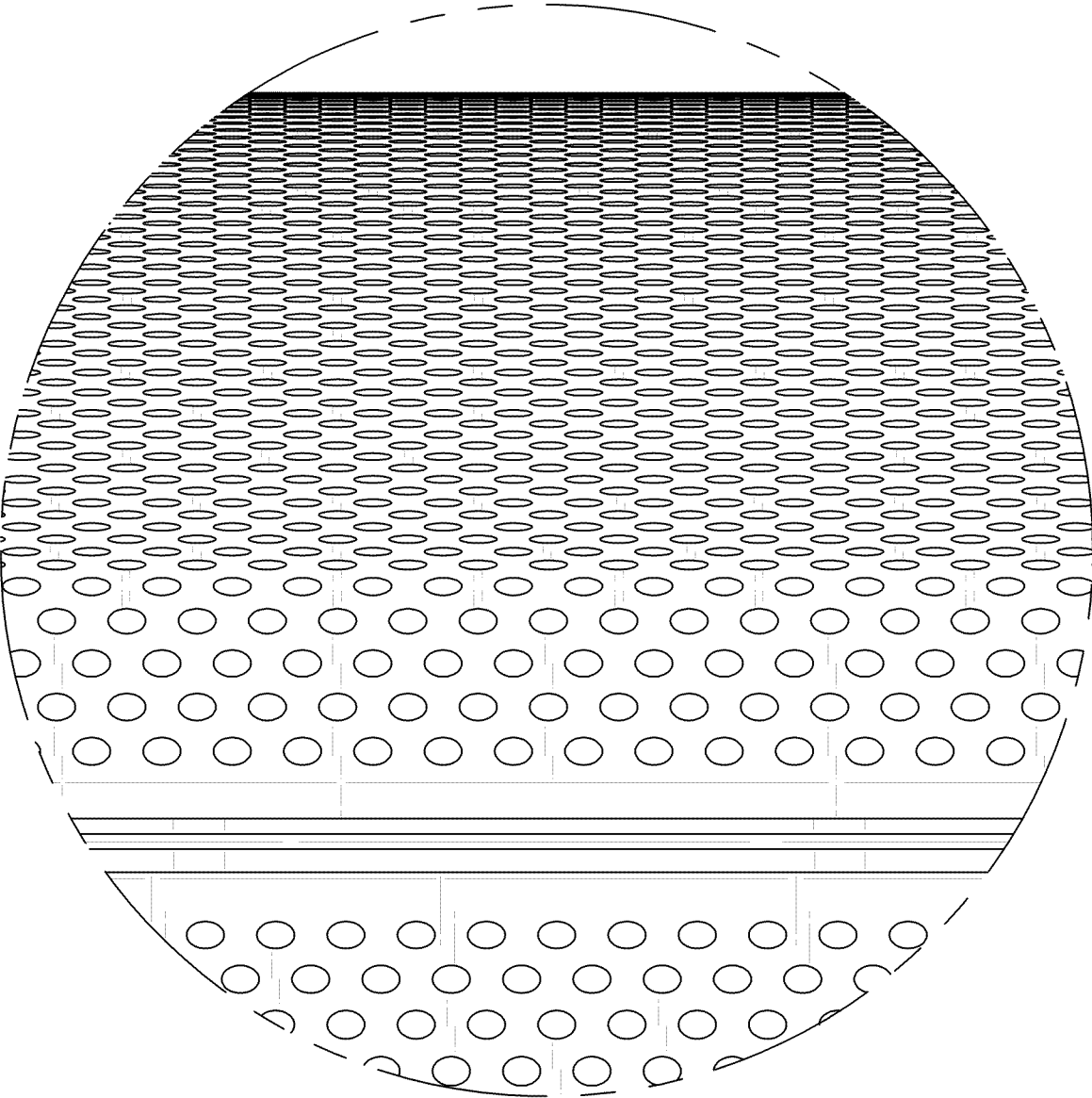


FIG. 12

