



US00D843310S

(12) **United States Design Patent**
Yamaoka

(10) **Patent No.:** **US D843,310 S**

(45) **Date of Patent:** **** Mar. 19, 2019**

(54) **TIRE FOR AUTOMOBILE**

(71) Applicant: **SUMITOMO RUBBER INDUSTRIES, LTD.**, Hyogo (JP)

(72) Inventor: **Hiroshi Yamaoka**, Kobe (JP)

(73) Assignee: **SUMITOMO RUBBER INDUSTRIES, LTD.**, Kobe-Shi, Hyogo (JP)

(**) Term: **15 Years**

(21) Appl. No.: **35/504,293**

(22) Filed: **Jul. 7, 2017**

(80) **Hague Agreement Data**

Int. Filing Date: **Jul. 7, 2017**
Int. Reg. No.: **DM/096964**
Int. Reg. Date: **Jul. 7, 2017**
Int. Reg. Pub. Date: **Jan. 12, 2018**

(51) **LOC (11) Cl.** **12-15**

(52) **U.S. Cl.**
USPC **D12/521; D12/519**

(58) **Field of Classification Search**
USPC D12/505-532, 900, 901
CPC . B60C 11/00; B60C 11/0016; B60C 11/0304;
B60C 11/0302; B60C 11/0306; B60C
11/0309; B60C 11/0318; B60C 11/0311;
B60C 11/042; B60C 11/11; B60C 11/12;
B60C 11/13

See application file for complete search history.

(56) **References Cited**

U.S. PATENT DOCUMENTS

D522,442 S * 6/2006 Shirouzu D12/515
D551,156 S * 9/2007 Shinohara D12/521
D562,757 S * 2/2008 Iwai D12/519
D581,346 S * 11/2008 Shondel D12/521

D584,214 S * 1/2009 Mukai D12/519
D601,939 S * 10/2009 Fontaine D12/519
D606,002 S * 12/2009 Yamakawa D12/519
D606,926 S * 12/2009 Heinen D12/521
D630,997 S * 1/2011 Wright D12/516
D633,433 S * 3/2011 Sieber D12/519
D639,719 S * 6/2011 Harvey D12/521
D644,593 S * 9/2011 Fontaine D12/523
D684,920 S * 6/2013 Maxwell D12/521
D694,702 S * 12/2013 Leconte D12/521
D713,325 S * 9/2014 Maxwell D12/521
D733,635 S * 7/2015 Digman D12/521
D733,636 S * 7/2015 Janesh D12/520
D735,113 S * 7/2015 Schoepfner D12/521
D735,637 S * 8/2015 Hughes D12/521
D743,872 S * 11/2015 Huang D12/519
D794,542 S * 8/2017 Tahon D12/528
D795,793 S * 8/2017 Schoepfner D12/523
D797,650 S * 9/2017 Bucher D12/505
D798,224 S * 9/2017 Zhang D12/209

* cited by examiner

Primary Examiner — Darlington Ly
(74) *Attorney, Agent, or Firm* — Birch, Stewart, Kolasch & Birch, LLP

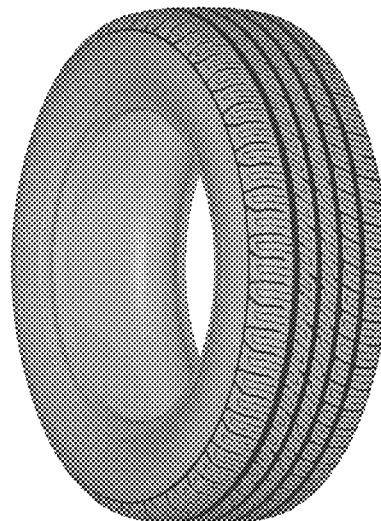
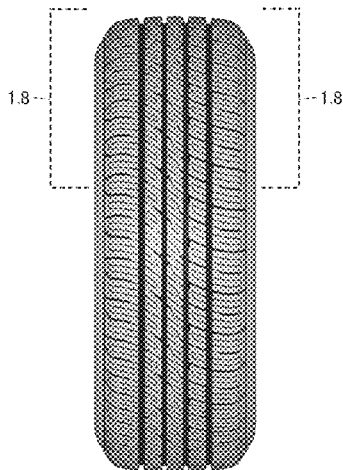
(57) **CLAIM**

The ornamental design for a tire for automobile, as shown and described.

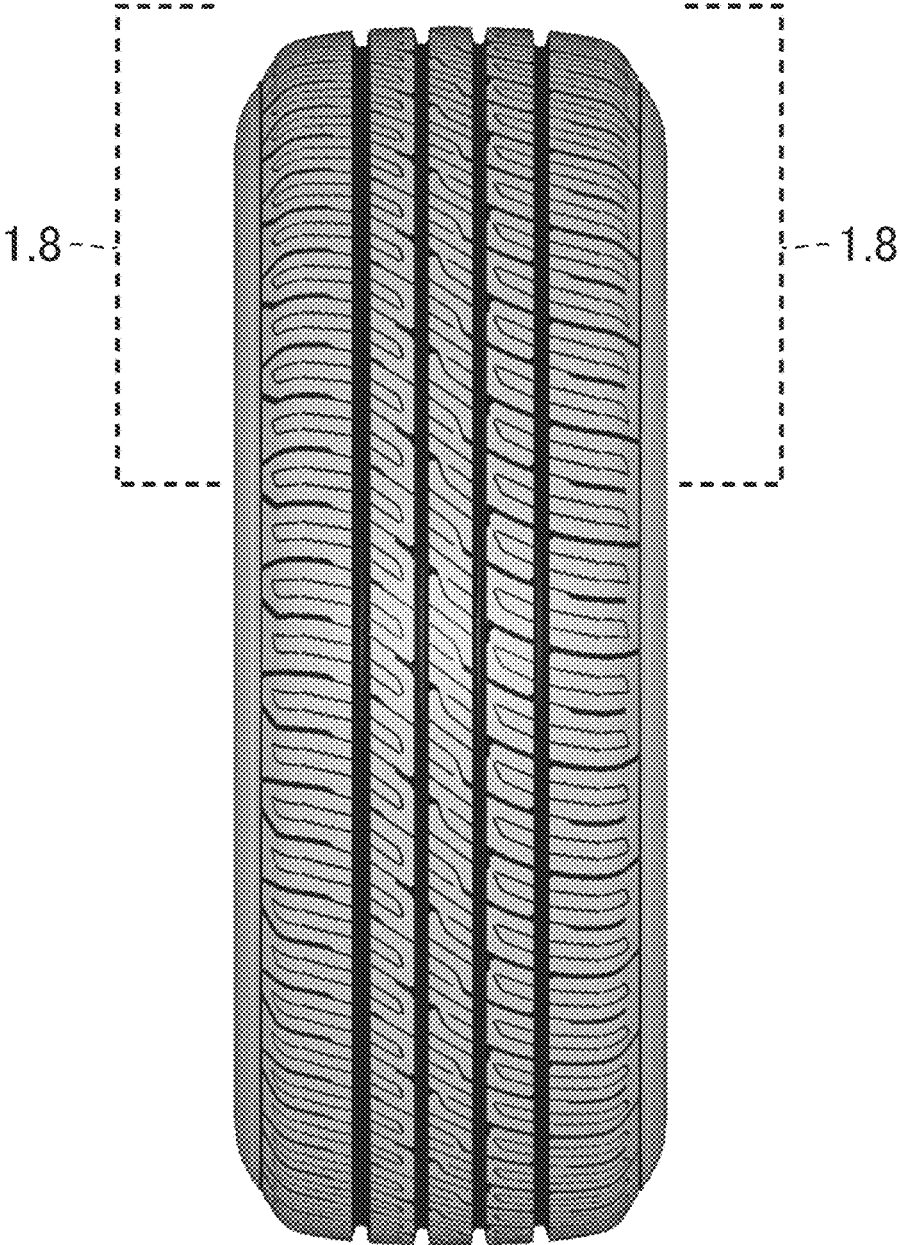
DESCRIPTION

1. Tire for automobile
1.1 is a front elevation view of a tire for automobile showing my new design;
1.2 is a rear elevation view thereof;
1.3 is a top plan view thereof;
1.4 is a bottom plan view thereof;
1.5 is a right side elevation view thereof;
1.6 is a left side elevation view thereof;
1.7 is a perspective view thereof; and
1.8 is an enlarged and partial front elevation view thereof, wherein the enlarged area is indicated as **1.8** in **1.1**.

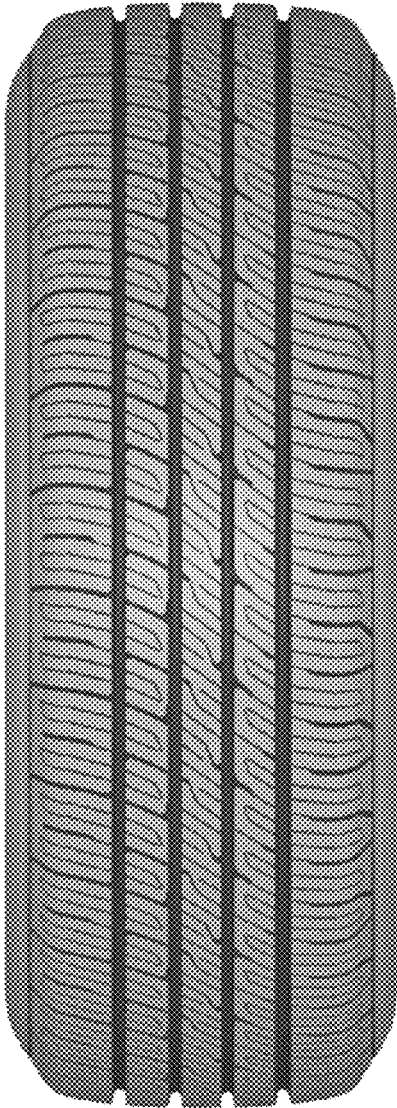
1 Claim, 8 Drawing Sheets



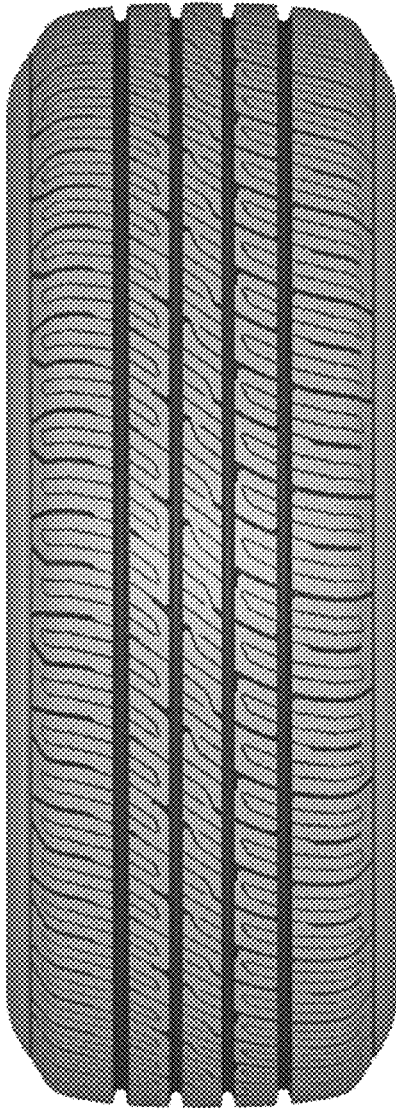
1.1



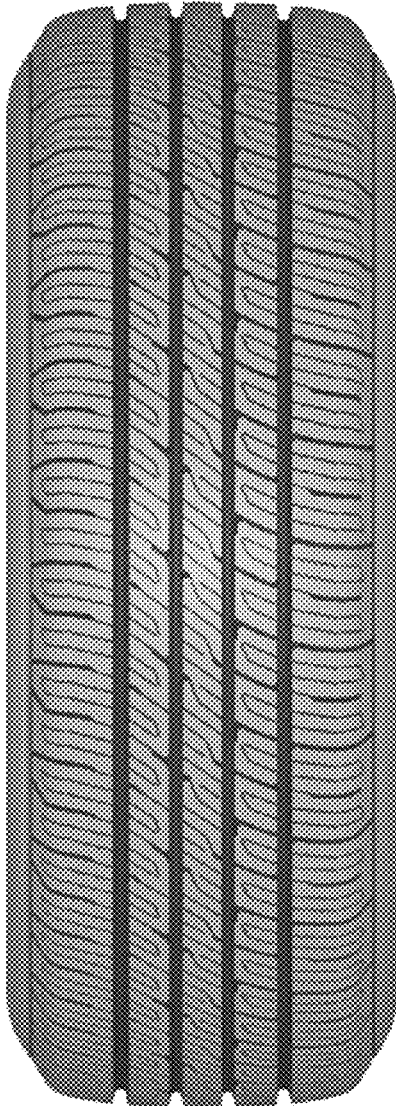
1.2



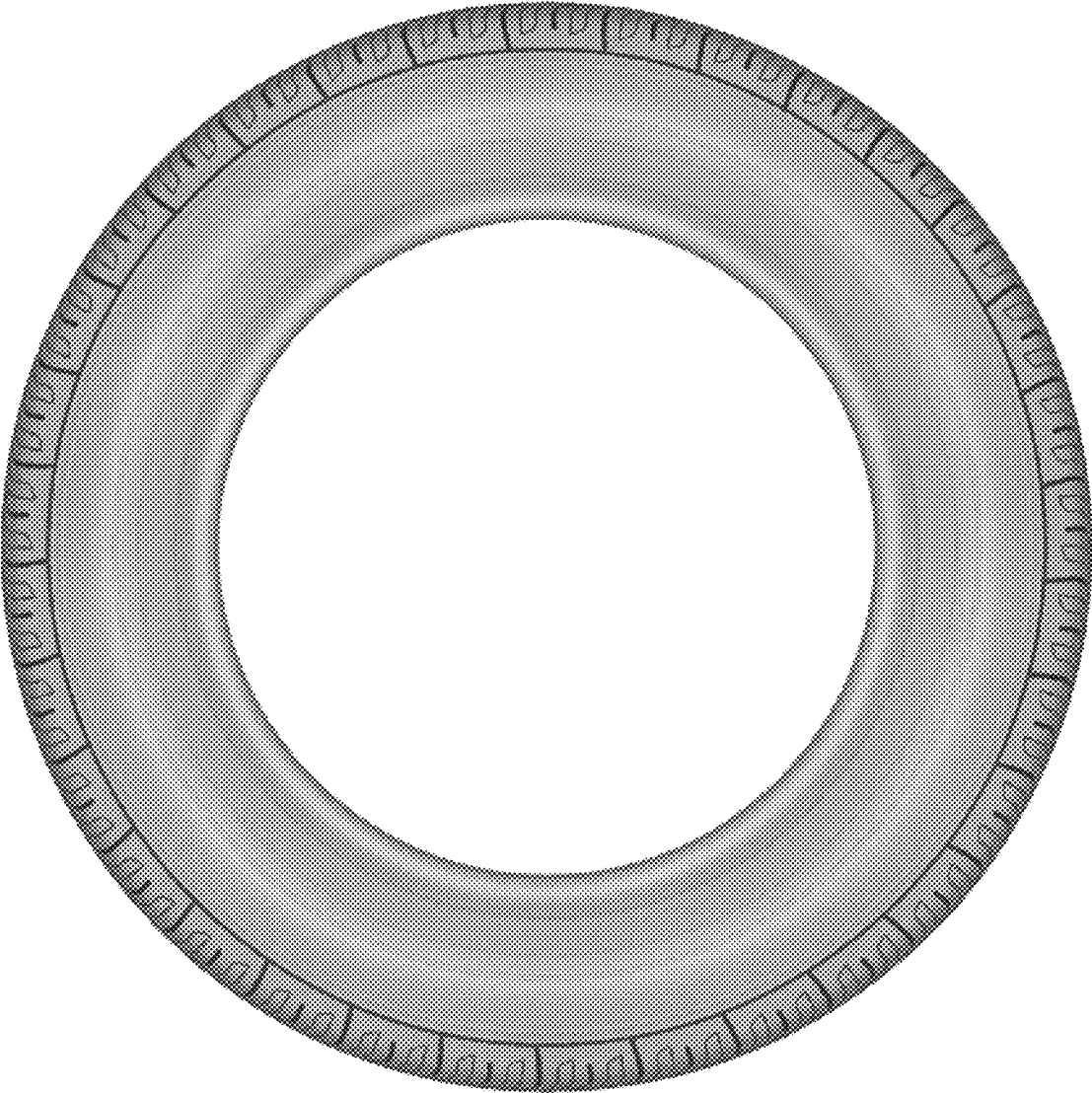
1.3



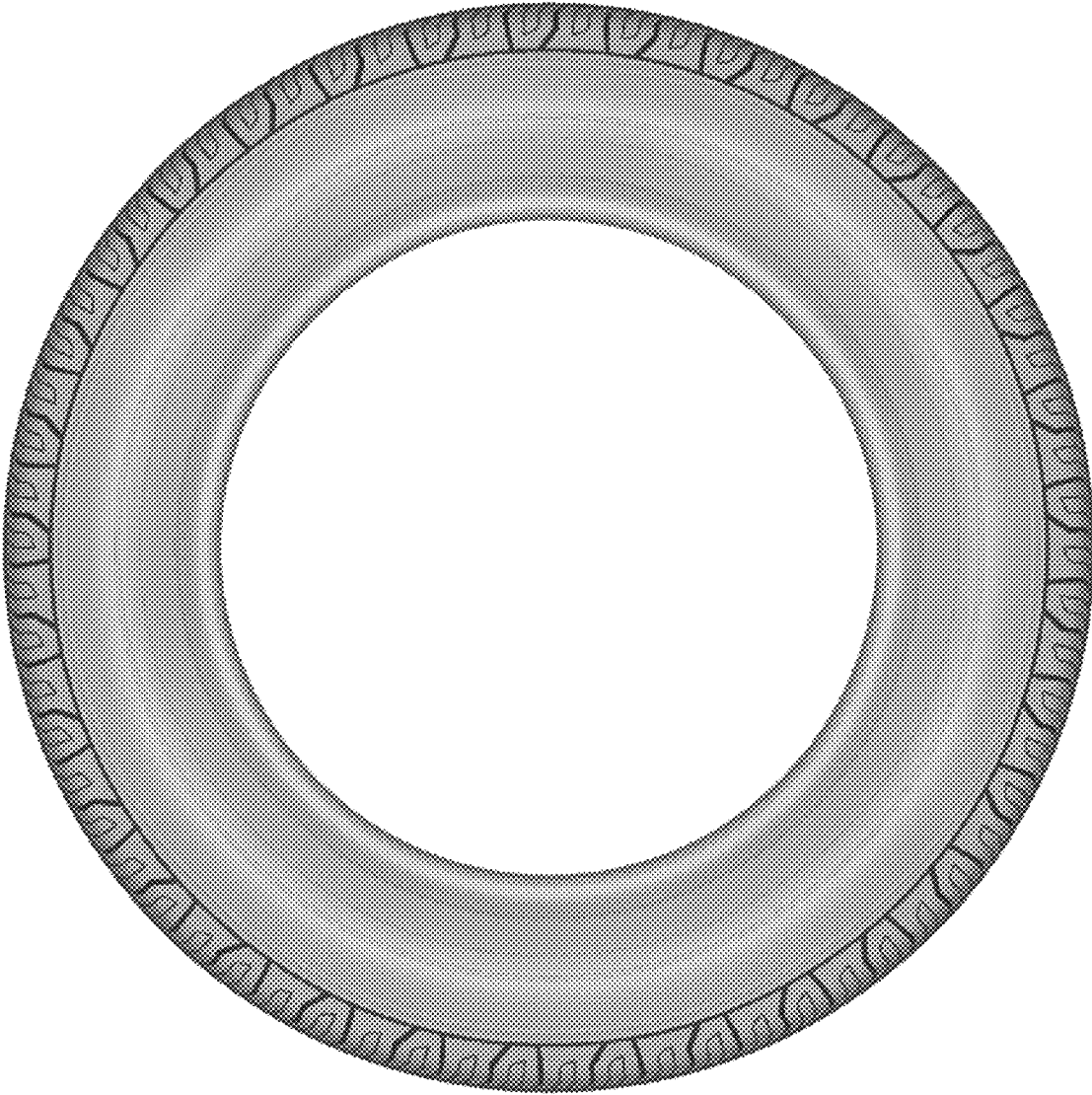
1.4



1.5



1.6



1.7



1.8

