

(19) World Intellectual Property Organization
International Bureau



(43) International Publication Date
4 August 2005 (04.08.2005)

PCT

(10) International Publication Number
WO 2005/069874 A3

- (51) International Patent Classification:
B26D 7/08 (2006.01)
- (21) International Application Number:
PCT/US2005/001286
- (22) International Filing Date: 14 January 2005 (14.01.2005)
- (25) Filing Language: English
- (26) Publication Language: English
- (30) Priority Data:
10/756,911 15 January 2004 (15.01.2004) US
- (71) Applicant and
- (72) Inventor: TILLEY, Robert, W. [US/US]; 21710 Moor-
town Circle, Katy, TX 77450 (US).
- (74) Agent: EGBERT, John, S.; Harrison & Egbert, 412 Main
Street, 7th Floor, Houston, TX 77002 (US).
- (81) Designated States (unless otherwise indicated, for every
kind of national protection available): AE, AG, AL, AM,
AT, AU, AZ, BA, BB, BG, BR, BW, BY, BZ, CA, CH, CN,
CO, CR, CU, CZ, DE, DK, DM, DZ, EC, EE, EG, ES, FI,
GB, GD, GE, GH, GM, HR, HU, ID, IL, IN, IS, JP, KE,

KG, KP, KR, KZ, LC, LK, LR, LS, LT, LU, LV, MA, MD,
MG, MK, MN, MW, MX, MZ, NA, NI, NO, NZ, OM, PG,
PH, PL, PT, RO, RU, SC, SD, SE, SG, SK, SL, SM, SY,
TJ, TM, TN, TR, TT, TZ, UA, UG, US, UZ, VC, VN, YU,
ZA, ZM, ZW.

(84) Designated States (unless otherwise indicated, for every
kind of regional protection available): ARIPO (BW, GH,
GM, KE, LS, MW, MZ, NA, SD, SL, SZ, TZ, UG, ZM,
ZW), Eurasian (AM, AZ, BY, KG, KZ, MD, RU, TJ, TM),
European (AT, BE, BG, CH, CY, CZ, DE, DK, EE, ES, FI,
FR, GB, GR, HU, IE, IS, IT, LT, LU, MC, NL, PL, PT, RO,
SE, SI, SK, TR), OAPI (BF, BJ, CF, CG, CI, CM, GA, GN,
GQ, GW, ML, MR, NE, SN, TD, TG).

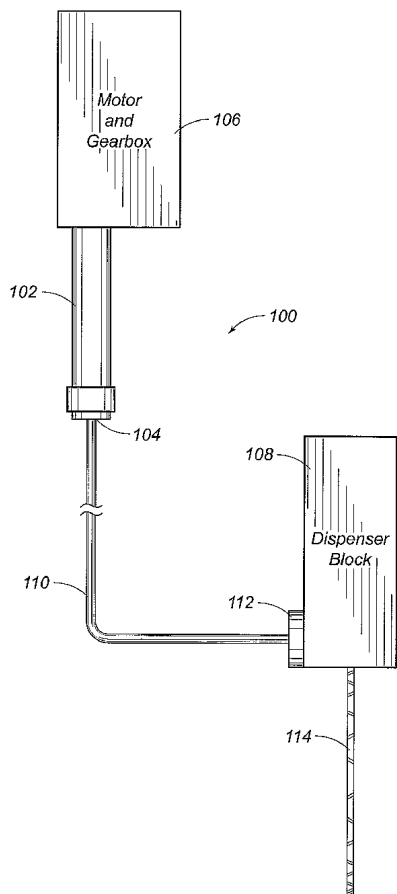
Published:

- with international search report
- before the expiration of the time limit for amending the
claims and to be republished in the event of receipt of
amendments

(88) Date of publication of the international search report:
14 June 2007

[Continued on next page]

(54) Title: SAW BLADE LUBRICATING APPARATUS



(57) Abstract: A saw blade lubricating apparatus (100) has a barrel (102) with an outlet (104) at one end thereof, a drive (106) cooperative with the barrel (102) for extruding wax outwardly of the outlet (104) of the barrel (102), a dispenser block (108) connected by a conduit (110) to the barrel (102) and having a wax inlet and a wax outlet, and a valve (112) positioned in or on the dispenser block (108). The valve (112) is selectively movable between a first position allowing wax flow between the wax inlet and the wax outlet and a second position blocking wax flow between the wax inlet and the wax outlet. A saw blade (114) can be positioned adjacent to the wax outlet of the dispenser block (108).

WO 2005/069874 A3

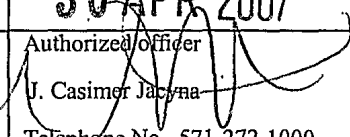


For two-letter codes and other abbreviations, refer to the "Guidance Notes on Codes and Abbreviations" appearing at the beginning of each regular issue of the PCT Gazette.

INTERNATIONAL SEARCH REPORT

International application No.

PCT/US05/01286

| | | |
|---|--|-----------------------|
| A. CLASSIFICATION OF SUBJECT MATTER IPC: B26D 7/08 (2006.01) USPC: 222/1,327,330,333,387 According to International Patent Classification (IPC) or to both national classification and IPC | | |
| B. FIELDS SEARCHED Minimum documentation searched (classification system followed by classification symbols) U.S. : 222/1, 327, 330, 333, 387 Documentation searched other than minimum documentation to the extent that such documents are included in the fields searched Electronic data base consulted during the international search (name of data base and, where practicable, search terms used) | | |
| C. DOCUMENTS CONSIDERED TO BE RELEVANT | | |
| Category * | Citation of document, with indication, where appropriate, of the relevant passages | Relevant to claim No. |
| X | US 2,630,942 A(Shaffer) 10 March 1953 (10.03.1953), column 2, line 5 to column 3, line 56. | 1, 8 |
| X | US 2,895,650 A (Mahon et al.) 21 July 1959 (21.07.1959), column 2, line 58 to column 4, line 40. | 1, 3 |
| X | US 2,671,580 A (Henson) 09 March 1954 (09.03.1954), column 3, line 31 to cilumn 5, line 4. | 13, 16, 17 |
| Y | US 5,839,335 A (Tilley) 24 November 1998 (24.11.1998), column 2, line 7 to column 4, line 32. | 1-6, 8, 9, 18 |
| Y | US 1,982,325 A (Shepherd) 27 November 1934 (27.11.1934), column 2, lines 20-49. | 1-6, 8, 9, 18 |
| <input type="checkbox"/> Further documents are listed in the continuation of Box C. <input type="checkbox"/> See patent family annex. | | |
| * Special categories of cited documents: | | |
| "A" document defining the general state of the art which is not considered to be of particular relevance | "T" later document published after the international filing date or priority date and not in conflict with the application but cited to understand the principle or theory underlying the invention | |
| "E" earlier application or patent published on or after the international filing date | "X" document of particular relevance; the claimed invention cannot be considered novel or cannot be considered to involve an inventive step when the document is taken alone | |
| "L" document which may throw doubts on priority claim(s) or which is cited to establish the publication date of another citation or other special reason (as specified) | "Y" document of particular relevance; the claimed invention cannot be considered to involve an inventive step when the document is combined with one or more other such documents, such combination being obvious to a person skilled in the art | |
| "O" document referring to an oral disclosure, use, exhibition or other means | "&" document member of the same patent family | |
| "P" document published prior to the international filing date but later than the priority date claimed | | |
| Date of the actual completion of the international search 01 April 2007 (01.04.2007) | Date of mailing of the international search report 30 APR 2007 | |
| Name and mailing address of the ISA/US Mail Stop PCT, Attn: ISA/US Commissioner for Patents P.O. Box 1450 Alexandria, Virginia 22313-1450 Facsimile No. (571) 273-3201 | Authorized officer  J. Casimer Jacyna Telephone No. 571-272-1000 | |