



US00D635382S

(12) **United States Design Patent**  
**Kim**

(10) **Patent No.:** **US D635,382 S**

(45) **Date of Patent:** **\*\* Apr. 5, 2011**

(54) **ACCESSORY POST**

(75) Inventor: **Josephina Ji Yeon Kim**, Cleveland, OH (US)

(73) Assignee: **Moen Incorporated**, North Olmsted, OH (US)

(\*\*) Term: **14 Years**

(21) Appl. No.: **29/362,375**

(22) Filed: **May 25, 2010**

(51) **LOC (9) Cl.** ..... **23-02**

(52) **U.S. Cl.** ..... **D6/524; D6/550**

(58) **Field of Classification Search** ..... D6/518-524, D6/546-550; D8/300, 370, 315; 108/28-29; 211/13.1, 16, 85.5, 86.01, 87.01, 88.04, 100, 211/105.1, 105.2, 106, 113, 123, 181.1, 182-183; 248/49, 175, 176.1, 200, 201, 205.1, 251, 248/302, 309.1, 315; 242/570, 590, 595-598  
See application file for complete search history.

D483,585 S	12/2003	Chen	
D489,120 S	4/2004	Shieh	
D493,054 S	7/2004	Roberts, III et al.	
D493,314 S	7/2004	Gilbert	
D497,751 S	11/2004	Roberts, III et al.	
D501,746 S	2/2005	Gilbert	
D504,042 S	4/2005	Wu	
D509,568 S	9/2005	Blattner et al.	
D520,791 S	5/2006	Solowiej	
D521,293 S	5/2006	Solowiej	
D540,586 S	4/2007	Solowiej	
D540,595 S	4/2007	Solowiej	
D554,406 S	11/2007	Sedwick	
D562,607 S	2/2008	Chen	
D575,565 S *	8/2008	Gilbert	D6/524
D577,937 S *	10/2008	Krumpe	D6/524
D591,542 S *	5/2009	Chen	D6/524
D600,479 S *	9/2009	Gao	D6/524
2002/0104946 A1	8/2002	Lai	

\* cited by examiner

*Primary Examiner* — Brian N Vinson  
(74) *Attorney, Agent, or Firm* — Calfee, Halter & Griswold LLP

(56) **References Cited**

**U.S. PATENT DOCUMENTS**

D318,717 S	7/1991	Spangler
D391,831 S	3/1998	Doughty et al.
D392,720 S	3/1998	Doughty et al.
D433,108 S	10/2000	Spangler
D436,775 S	1/2001	Ming-Hsiao
D439,955 S	4/2001	Spangler
D442,407 S	5/2001	Solowiej
D449,948 S	11/2001	Lai
D451,324 S	12/2001	Lai
D452,791 S	1/2002	Chen
D454,175 S	3/2002	Spangler
D460,892 S	7/2002	Hoernig
D463,936 S	10/2002	Chen
D464,712 S	10/2002	Lord
D470,701 S	2/2003	Kuo
D472,417 S	4/2003	Hunt
D476,836 S	7/2003	Lai
D477,482 S	7/2003	Green
D477,486 S	7/2003	Green
D478,153 S	8/2003	Friedrich

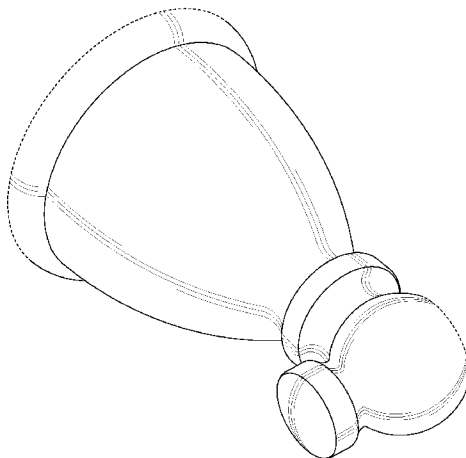
(57) **CLAIM**

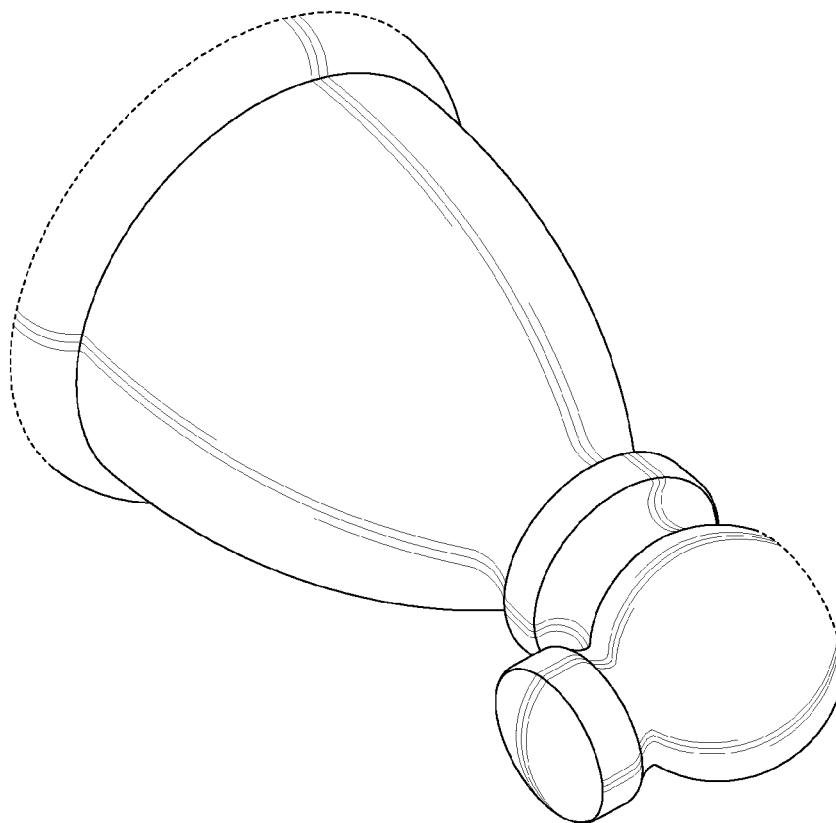
The ornamental design for an accessory post, as shown and described.

**DESCRIPTION**

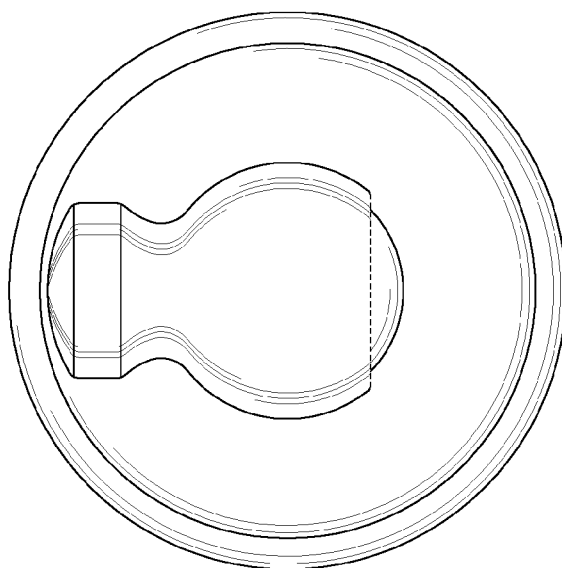
FIG. 1 is a perspective view of an accessory post of the new design;  
FIG. 2 is a front elevational view of the accessory post of FIG. 1;  
FIG. 3 is a left side elevational view of the accessory post of FIG. 1;  
FIG. 4 is a right side elevational view of the accessory post of FIG. 1; and,  
FIG. 5 is a top plan view of the accessory post of FIG. 1, the bottom plan view being a mirror image thereof.  
The broken-line disclosure in the views is understood to represent portions of the article in which the claimed design is embodied, but which forms no part of the claimed design.

**1 Claim, 3 Drawing Sheets**

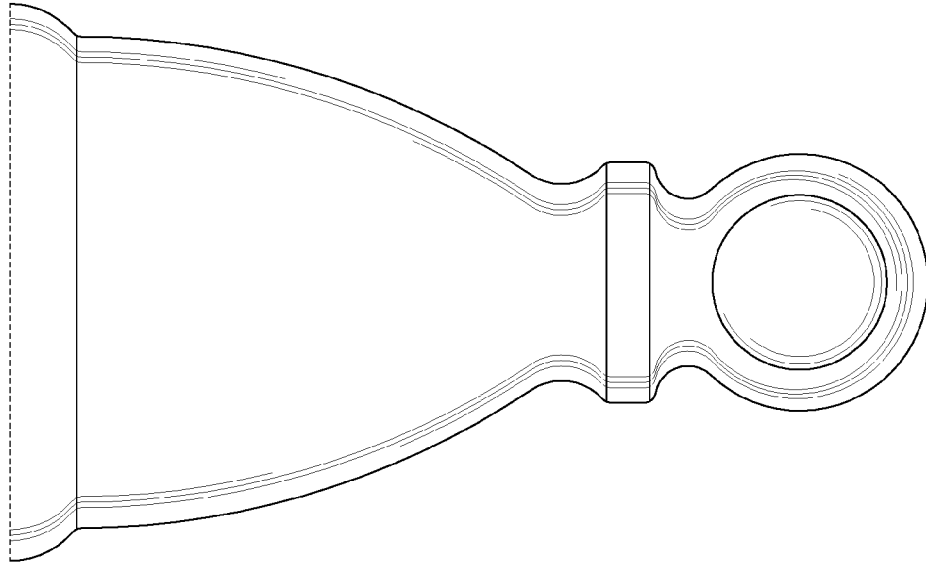




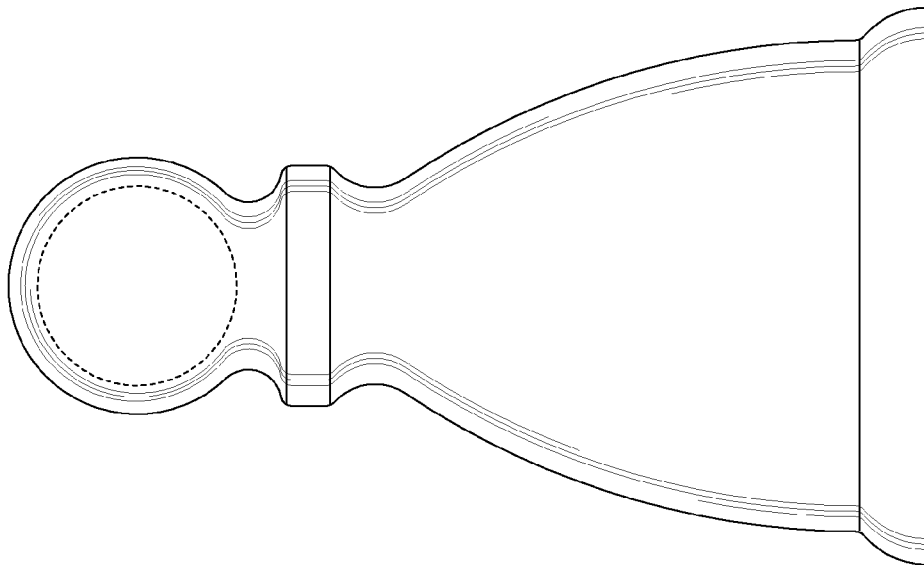
**FIG. 1**



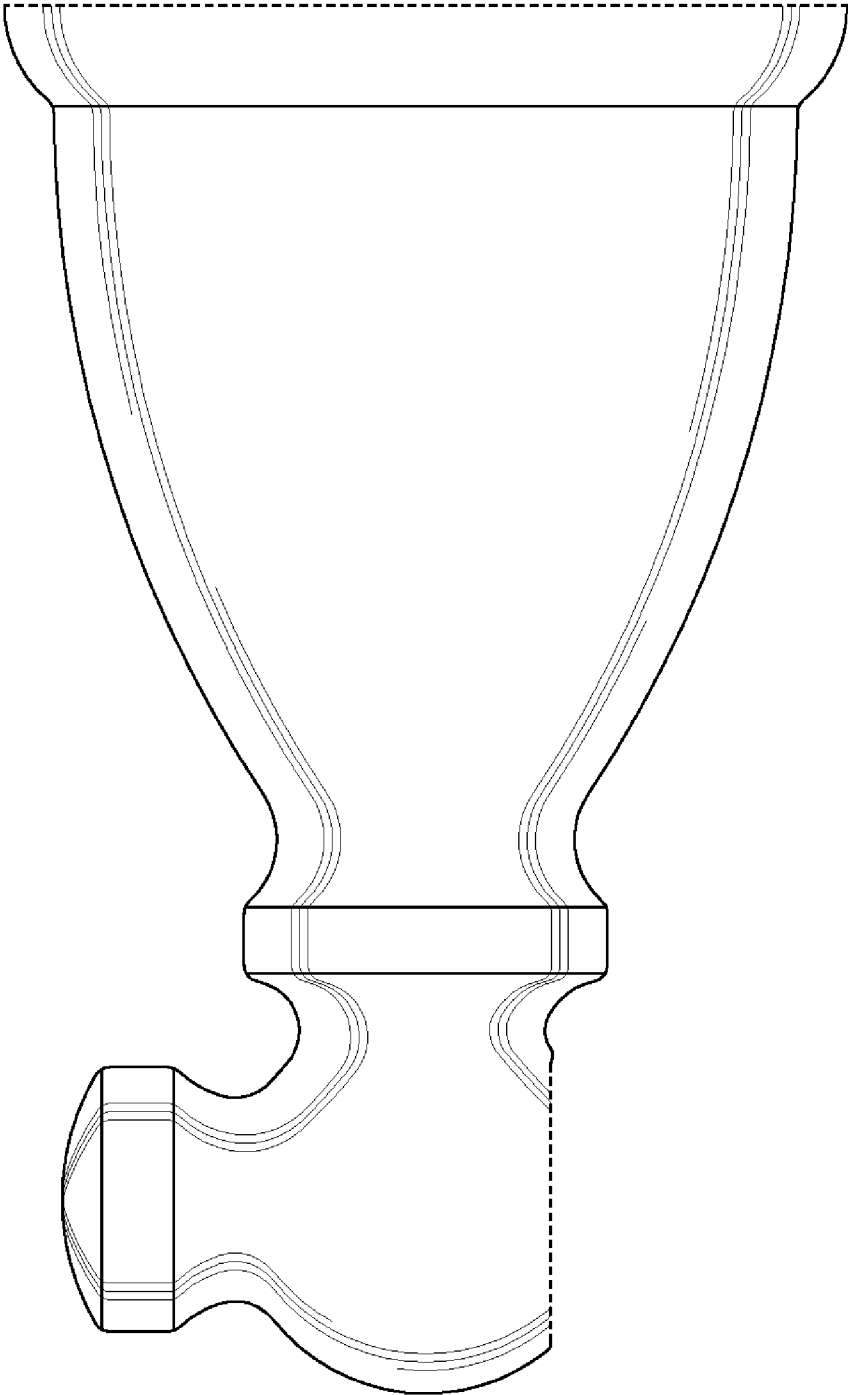
**FIG. 2**



**FIG. 3**



**FIG. 4**



**FIG. 5**