



(12) **United States Design Patent**
Salvadori

(10) **Patent No.:** **US D989,656 S**
(45) **Date of Patent:** **** Jun. 20, 2023**

(54) **CROSS PENDANT**

- (71) Applicant: **Lawrence A. Salvadori**, San Diego, CA (US)
- (72) Inventor: **Lawrence A. Salvadori**, San Diego, CA (US)
- (**) Term: **15 Years**
- (21) Appl. No.: **29/858,426**

- (22) Filed: **Oct. 31, 2022**
- (51) **LOC (14) Cl.** **11-01**
- (52) **U.S. Cl.**
USPC **D11/79; D11/96; D99/27**
- (58) **Field of Classification Search**
USPC D11/40, 43, 79, 86, 95, 96; D99/27
CPC A44C 25/00; A44C 25/001; A44C 25/005;
A44C 25/007; A44C 3/008; A47G 33/00;
A47G 33/02
See application file for complete search history.

(56) **References Cited**

U.S. PATENT DOCUMENTS

1,524,835	A *	2/1925	Walker	A47G 33/02 362/121
D213,449	S *	3/1969	Schuette	D99/27
D257,069	S *	9/1980	Wozniski	D99/27
D299,779	S *	2/1989	Kohen	D99/27
D300,079	S *	2/1989	Smith	D99/27
D589,838	S *	4/2009	Nisguretsky	D11/26
D600,587	S *	9/2009	Urquico	D11/79
D656,429	S *	3/2012	Cadigan	A47G 33/02 D11/96
D679,624	S *	4/2013	Robbins	D11/96
D753,538	S *	4/2016	David	D11/96
D766,126	S *	9/2016	Walker	D11/96

FOREIGN PATENT DOCUMENTS

CN 303869682 * 9/2016

OTHER PUBLICATIONS

- Celtic Cross. Online [website]. Amazon, publication date unknown, [retrieved on Mar. 30, 2023]. Retrieved from the internet: <https://www.amazon.com/Olive-wood-Celtic-Cross-Pendant/dp/B003ACAFAA>. (Year: 2023).*
- Cross Cut Out. Online [website]. Shape ways, publication date unknown, [retrieved on Mar. 30, 2023]. Retrieved from the internet: <https://www.shapeways.com/product/6MCRU3KEB/cross-cut-out-style-with-shell>. (Year: 2023).*
- Vintage Cross Pendant. Online [website]. Rube Lane, publication date unknown, [retrieved on Mar. 30, 2023]. Retrieved from the internet: <https://www.rubylane.com/item/510967-rbx20Kx2eMYx2eOPx20x233612/Vintage-Cross-Pendant-Heart-Cutouts-Sterling>. (Year: 2023).*

* cited by examiner

Primary Examiner — Tracey J Bell
Assistant Examiner — Grace Doyle
(74) *Attorney, Agent, or Firm* — QuickPatents, LLC;
Kevin Prince

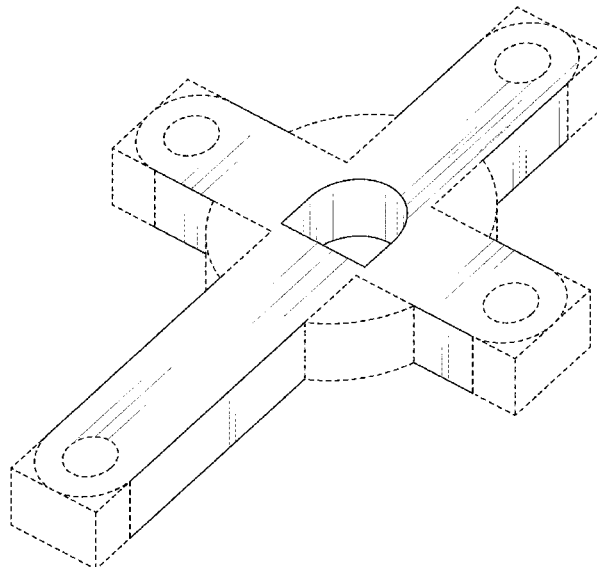
(57) **CLAIM**

The ornamental design for a cross pendant, as shown and described.

DESCRIPTION

FIG. 1 is a front perspective view of a cross pendant, showing my new design;
FIG. 2 is a front elevational view thereof, the rear elevational view being a mirror image thereof;
FIG. 3 is a left-side elevational view thereof, the right-side elevational view being a mirror image thereof; and,
FIG. 4 is a top plan view thereof, the bottom plan view being a mirror image thereof.
The broken lines in the figures depict portions of the cross pendant that form no part of the claimed design.

1 Claim, 3 Drawing Sheets



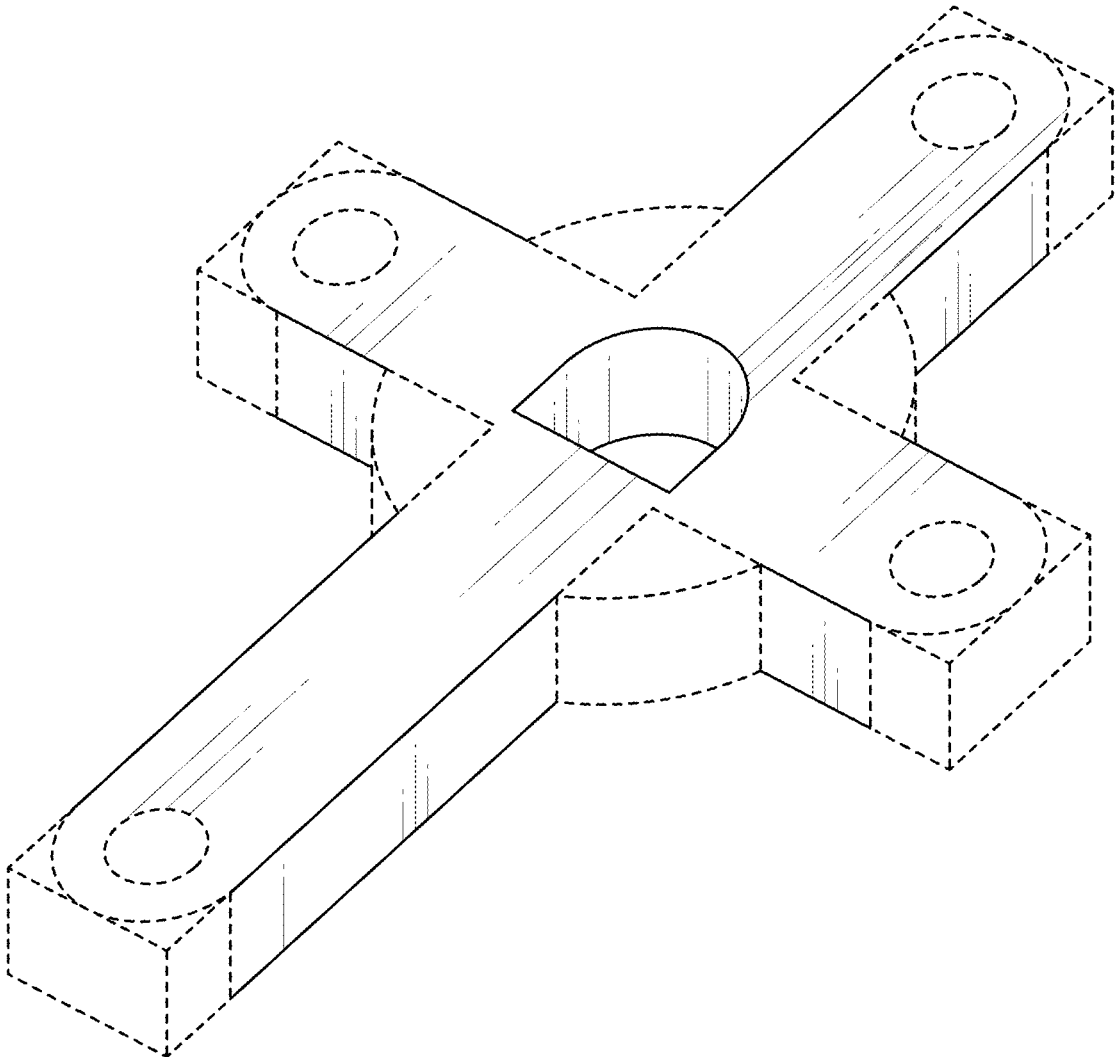


FIG. 1

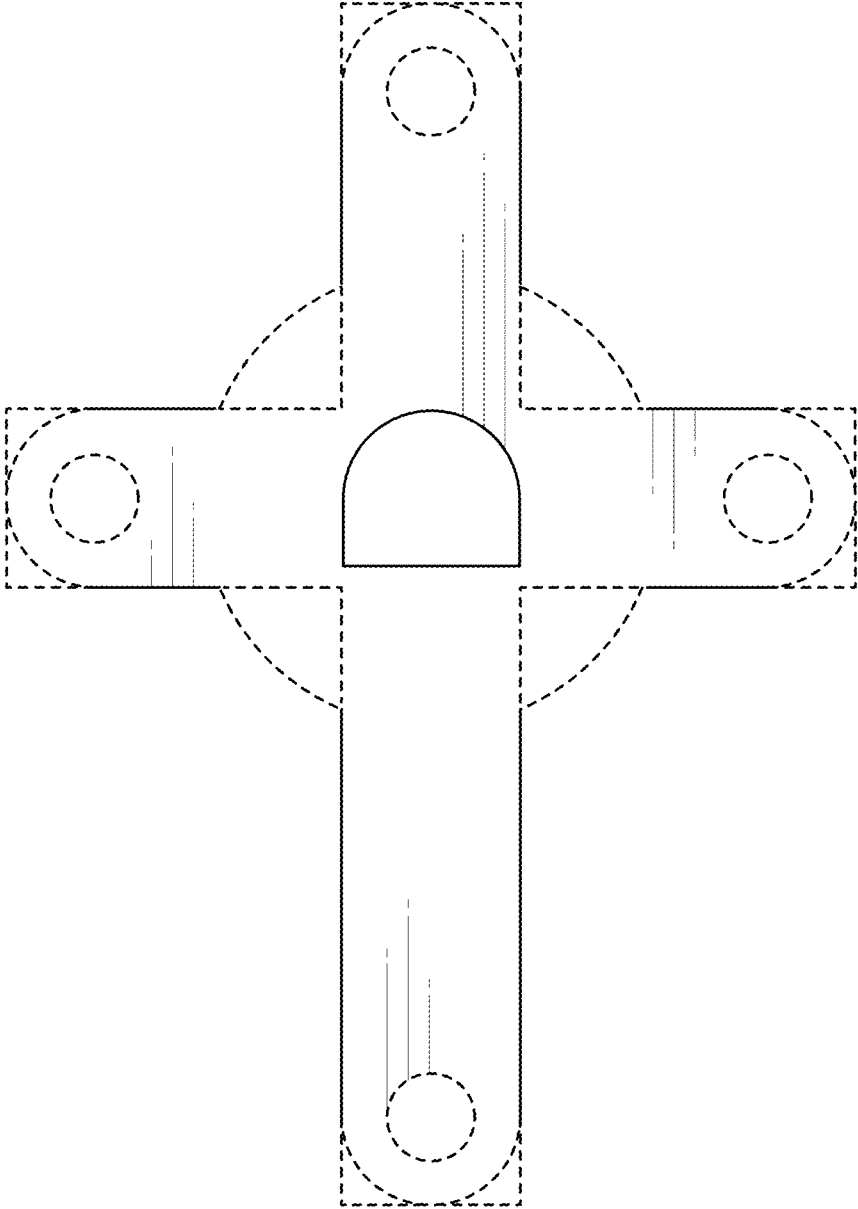


FIG. 2



FIG. 3



FIG. 4