

(19) World Intellectual Property Organization  
International Bureau



(43) International Publication Date  
26 September 2002 (26.09.2002)

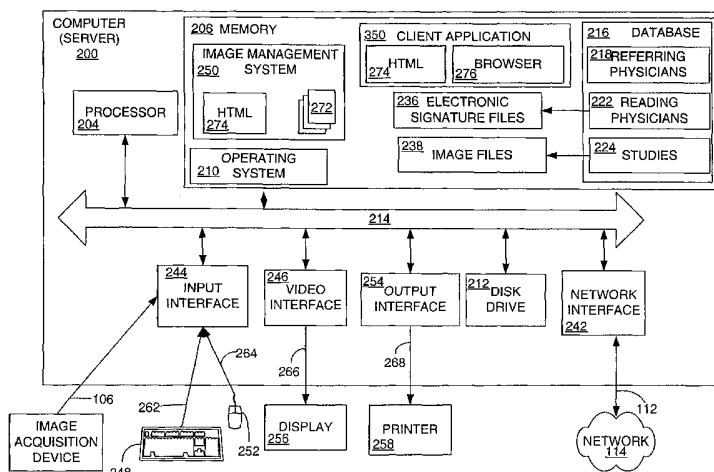
PCT

(10) International Publication Number  
WO 02/076084 A3

- (51) International Patent Classification<sup>7</sup>: H04N 1/32, G06F 17/30
- (74) Agent: COHEN, Julius, S.; Internationaal Octrooibureau B.V., Prof. Holstlaan 6, NL-5656 AA Eindhoven (NL).
- (21) International Application Number: PCT/IB02/00808
- (81) Designated State (national): JP.
- (22) International Filing Date: 19 March 2002 (19.03.2002)
- (84) Designated States (regional): European patent (AT, BE, CH, CY, DE, DK, ES, FI, FR, GB, GR, IE, IT, LU, MC, NL, PT, SE, TR).
- (25) Filing Language: English
- (30) Priority Data: 09/812,466 20 March 2001 (20.03.2001) US
- Published: — with international search report
- (71) Applicant: KONINKLIJKE PHILIPS ELECTRONICS N.V. [NL/NL]; Groenewoudseweg 1, NL-5621 BA Eindhoven (NL).
- (88) Date of publication of the international search report: 12 December 2002
- (72) Inventors: COLLAMORE, Brian; Prof. Holstlaan 6, NL-5656 AA Eindhoven (NL). ARLING, Robert, S.; Prof. Holstlaan 6, NL-5656 AA Eindhoven (NL).

For two-letter codes and other abbreviations, refer to the "Guidance Notes on Codes and Abbreviations" appearing at the beginning of each regular issue of the PCT Gazette.

(54) Title: ADDING ELECTRONIC SIGNATURE TO A REPORT ASSOCIATED WITH AN IMAGE FILE



(57) Abstract: A system (100) for adding an electronic signature chosen from a plurality of available electronic signatures (236) to a report (272) associated with an image file (238) associates an electronic signature (236) with a user (222) of the system (100). When the user (222) wishes to apply the electronic signature (236) to the image file (238), or to a report (272) associated with the image file (238), the user (222) instructs the system (100) to apply the electronic signature. The system (100) can query the user (222) of the system to determine whether the user is the individual that is currently logged on to the system (100). If the user (222) is currently logged on, the system (100) will apply that individual's electronic signature to the report (272) associated with the image file (238). If the user (222) is not the individual that is currently logged on, the system (100) presents to the user a selection (400) of electronic signatures (236), from which the user (222) chooses the signature that identifies them as the user.



WO 02/076084 A3

## INTERNATIONAL SEARCH REPORT

Intern. Application No

PCT/IB 02/00808

A. CLASSIFICATION OF SUBJECT MATTER  
 IPC 7 H04N1/32 G06F17/30

According to International Patent Classification (IPC) or to both national classification and IPC

## B. FIELDS SEARCHED

Minimum documentation searched (classification system followed by classification symbols)

IPC 7 H04N G06F

Documentation searched other than minimum documentation to the extent that such documents are included in the fields searched

Electronic data base consulted during the international search (name of data base and, where practical, search terms used)

EPO-Internal, WPI Data, PAJ

## C. DOCUMENTS CONSIDERED TO BE RELEVANT

Category *	Citation of document, with indication, where appropriate, of the relevant passages	Relevant to claim No.
X	US 5 867 821 A (MULHALL MICHAEL ET AL) 2 February 1999 (1999-02-02) abstract column 1, line 65 -column 2, line 63 column 15, line 10 - line 15 claim 8 figures 1-3	1,8
A	US 5 579 393 A (SCHMIER LARRY ET AL) 26 November 1996 (1996-11-26) abstract	1-10

Further documents are listed in the continuation of box C.

Patent family members are listed in annex.

\* Special categories of cited documents :

- \*A\* document defining the general state of the art which is not considered to be of particular relevance
- \*E\* earlier document but published on or after the international filing date
- \*L\* document which may throw doubts on priority claim(s) or which is cited to establish the publication date of another citation or other special reason (as specified)
- \*O\* document referring to an oral disclosure, use, exhibition or other means
- \*P\* document published prior to the international filing date but later than the priority date claimed

- \*T\* later document published after the international filing date or priority date and not in conflict with the application but cited to understand the principle or theory underlying the invention
- \*X\* document of particular relevance; the claimed invention cannot be considered novel or cannot be considered to involve an inventive step when the document is taken alone
- \*Y\* document of particular relevance; the claimed invention cannot be considered to involve an inventive step when the document is combined with one or more other such documents, such combination being obvious to a person skilled in the art.
- \* & \* document member of the same patent family

Date of the actual completion of the international search

20 September 2002

Date of mailing of the international search report

27/09/2002

Name and mailing address of the ISA

European Patent Office, P.B. 5818 Patentlaan 2  
 NL - 2280 HV Rijswijk  
 Tel. (+31-70) 340-2040, Tx. 31 651 epo ni,  
 Fax: (+31-70) 340-3016

Authorized officer

Stoffers, C

**INTERNATIONAL SEARCH REPORT**  
information on patent family members

International Application No  
PCT/IB 02/00808

Patent document cited in search report	Publication date	Patent family member(s)	Publication date
US 5867821	A	02-02-1999 CA 2125300 A1	12-11-1995
US 5579393	A	26-11-1996 NONE	