

(19) World Intellectual Property Organization  
International Bureau



(43) International Publication Date  
5 June 2008 (05.06.2008)

PCT

(10) International Publication Number  
**WO 2008/067152 A3**

(51) International Patent Classification:  
*E21B 33/068 (2006.01) E21B 34114 (2006.01)*  
*E21B 34/10 (2006.01)*

(74) Agent: **DUPHORNE, Darin, H**; Division Intellectual Property Counsel, Baker Oil Tools Division - Baker Hughes Inc., P.O. Box 4740, Houston, TX 77027 (US).

(21) International Application Number:  
PCT/US2007/084493

(81) Designated States (unless otherwise indicated, for every kind of national protection available): AE, AG, AL, AM, AT, AU, AZ, BA, BB, BG, BH, BR, BW, BY, BZ, CA, CH, CN, CO, CR, CU, CZ, DE, DK, DM, DO, DZ, EC, EE, EG, ES, FI, GB, GD, GE, GH, GM, GT, HN, HR, HU, ID, IL, IN, IS, JP, KE, KG, KM, KN, KP, KR, KZ, LA, LC, LK, LR, LS, LT, LU, LY, MA, MD, ME, MG, MK, MN, MW, MX, MY, MZ, NA, NG, NI, NO, NZ, OM, PG, PH, PL, PT, RO, RS, RU, SC, SD, SE, SG, SK, SL, SM, SV, SY, TJ, TM, TN, TR, TT, TZ, UA, UG, US, UZ, VC, VN, ZA, ZM, ZW

(22) International Filing Date:  
13 November 2007 (13.11.2007)

(25) Filing Language: English

(26) Publication Language: English

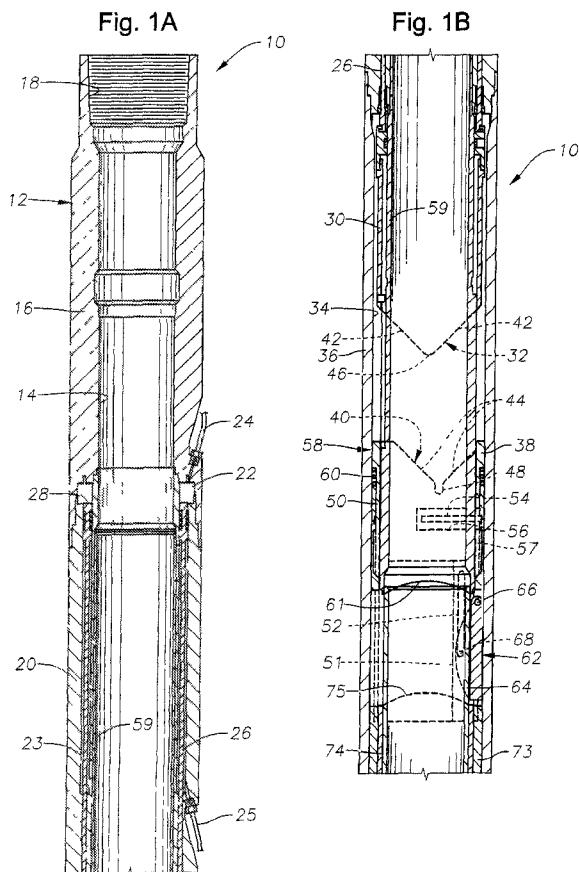
(30) Priority Data:  
11/604,509 27 November 2006 (27.11.2006) US

(71) Applicants (for all designated States except US): **BAKER HUGHES INCORPORATED** [US/US]; P.O. Box 4740, Houston, TX 77027 (US). **FARQUHAR, Graham, E.** [US/US]; 50 High Street, New Deer, Turriff, AB53 6SX (GB). **HARDIE, David, A**; 13 King Street, Inverurie, Aberdeenshire (GB).

(84) Designated States (unless otherwise indicated, for every kind of regional protection available): ARIPO (BW, GH, GM, KE, LS, MW, MZ, NA, SD, SL, SZ, TZ, UG, ZM, ZW), Eurasian (AM, AZ, BY, KG, KZ, MD, RU, TJ, TM), European (AT, BE, BG, CH, CY, CZ, DE, DK, EE, ES, FI, FR, GB, GR, HU, IE, IS, IT, LT, LU, LV, MC, MT, NL, PL,

[Continued on next page]

(54) Title: LUBRICATOR VALVE WITH ROTATIONAL FLIP-FLAP ARM



(57) Abstract: An improved lubricator valve arrangement for use within a wellbore to allow the passage of tools, such as perforating guns and the like, into the wellbore while it is live. The inclusion of two, independently controllable flapper-type safety valves within the lubricator valve will permit coordinated testing of fluid pressure both above and below the lubricator valve. The upper flapper valve includes a rotational flip-flap arm arrangement to positively open and close the upper flapper valve. The lower flapper valve is equipped with an integrated poppet-style pressure equalizing valve to allow the lower flapper valve to be opened more easily. The direction of opening of the flapper valves precludes or reduces the risk debris-related problems that might prevent or hinder opening of the flapper valves.

WO 2008/067152 A3



PT, RO, SE, SI, SK, TR), OAPI (BF, BJ, CF, CG, CI, CM,  
GA, GN, GQ, GW, ML, MR, NE, SN, TD, TG).

— *before the expiration of the time limit for amending the  
claims and to be republished in the event of receipt of  
amendments*

**Published:**

— *with international search report*

**(88) Date of publication of the international search report:**

12 September 2008

# INTERNATIONAL SEARCH REPORT

International application No  
PCT/US2007/084493

A. CLASSIFICATION OF SUBJECT MATTER  
 INV. E21B33/068 E21B34/10 E21B34/14

According to International Patent Classification (IPC) or to both national classification and IPC

B. FIELDS SEARCHED

Minimum documentation searched (classification system followed by classification symbols)  
 E21B

Documentation searched other than minimum documentation to the extent that such documents are included in the fields searched

Electronic data base consulted during the international search (name of data base and, where practical, search terms used)  
 EPO-Internal

C. DOCUMENTS CONSIDERED TO BE RELEVANT

Category*	Citation of document with indication, where appropriate, of the relevant passages	Relevant to claim No
X	GB 2 313 610 A (BAKER HUGHES INC [US]) 3 December 1997 (1997-12-03) abstract; figures 1-3	8,9,11, 15,16
Y	-----	10
A	-----	1
Y	US 4 926 945 A (PRINGLE RONALD E [US] ET AL) 22 May 1990 (1990-05-22) column 1, line 47 - line 66; figures 1c, 6	10
A	-----	1,8,15
A	US 2005/224234 A1 (DRUMMOND STEVEN J [GB] ET AL) 13 October 2005 (2005-10-13) abstract; figure 1	1,8,15
A	-----	1,8,15
A	US 2003/173091 A1 (HORNE BENJAMIN [GB] ET AL) 18 September 2003 (2003-09-18) abstract	1,8,15
A	-----	1,8,15

**D** Further documents are listed in the continuation of Box C  See patent family annex

\* Special categories of cited documents

<p>"A" document defining the general state of the art which is not considered to be of particular relevance</p> <p>"E" earlier document but published on or after the international filing date</p> <p>"L" document which may throw doubts on priority claim(s) or which is cited to establish the publication date of another citation or other special reason (as specified)</p> <p>"O" document referring to an oral disclosure, use, exhibition or other means</p> <p>"P" document published prior to the international filing date but later than the priority date claimed</p>	<p>"T" later document published after the international filing date or priority date and not in conflict with the application but cited to understand the principle or theory underlying the invention</p> <p>"X" document of particular relevance the claimed invention cannot be considered novel or cannot be considered to involve an inventive step when the document is taken alone</p> <p>"Y" document of particular relevance, the claimed invention cannot be considered to involve an inventive step when the document is combined with one or more other such documents such combination being obvious to a person skilled in the art</p> <p>"&amp;" document member of the same patent family</p>
--	---

Date of the actual completion of the international search <b>1 July 2008</b>	Date of mailing of the international search report 10/07/2008
---	--

Name and mailing address of the ISA/ European Patent Office, P B 5818 Patentlaan 2 NL -2280 HV Rijswijk Tel (+31-70) 34Q-2040, Tx 31 651 epo nl, Fax (+31-70) 340-3016	Authorized officer  Dantine, Patrick
--	--

# INTERNATIONAL SEARCH REPORT

Information on patent family members

International application No

PCT/US2007/084493

Patent document cited in search report	Publication date	Patent family member(s)	Publication date
GB 2313610	A	03-12-1997	AU 724806 B2 28-09-2000
			AU 2365697 A 11-12-1997
			CA 2206351 A1 29-11-1997
			NO 972437 A 01-12-1997
			US 6015014 A 18-01-2000
US 4926945	A	22-05-1990	GB 2235713 A 13-03-1991
			GB 2262118 A 09-06-1993
US 2005224234	A1	13-10-2005	AU 2005233574 A1 27-10-2005
			CA 2563076 A1 27-10-2005
			SB 2427232 A 20-12-2006
			WO 2005100740 A2 27-10-2005
US 2003173091	A1	18-09-2003	NONE