



US00D732369S

(12) **United States Design Patent**  
**Rubin et al.**

(10) **Patent No.:** **US D732,369 S**

(45) **Date of Patent:** **\*\* Jun. 23, 2015**

(54) **AUTO EMERGENCY TOOL**

(71) Applicant: **InterDesign, Inc.**, Solon, OH (US)

(72) Inventors: **Bennett S. Rubin**, Pepper Pike, OH (US); **Richard C. Adamany**, Chagrin Falls, OH (US)

(73) Assignee: **INTERDESIGN, INC.**, Solon, OH (US)

(\*\*) Term: **14 Years**

(21) Appl. No.: **29/485,087**

(22) Filed: **Mar. 14, 2014**

(51) **LOC (10) Cl.** ..... **08-05**

(52) **U.S. Cl.**  
USPC ..... **D8/105**

(58) **Field of Classification Search**  
USPC ..... D8/14, 52, 55, 58, 75, 81, 87, 98, 105,  
D8/107, 356; 7/163  
See application file for complete search history.

(56) **References Cited**

**U.S. PATENT DOCUMENTS**

D564,387 S *	3/2008	Rubin et al.	.....	D10/104.1
D575,182 S	8/2008	Rubin et al.		
7,557,720 B2	7/2009	Rubin et al.		
D657,650 S *	4/2012	Rubin et al.	.....	D8/105
D657,651 S *	4/2012	Rubin et al.	.....	D8/105
D699,542 S *	2/2014	Rubin et al.	.....	D8/105
D701,739 S *	4/2014	Rubin et al.	.....	D8/85
2014/0259438 A1 *	9/2014	Rubin et al.	.....	7/163

\* cited by examiner

*Primary Examiner* — Susan Bennett Hattan

*Assistant Examiner* — Leanne Was

(74) *Attorney, Agent, or Firm* — D. Peter Hochberg; Sean F. Mellino

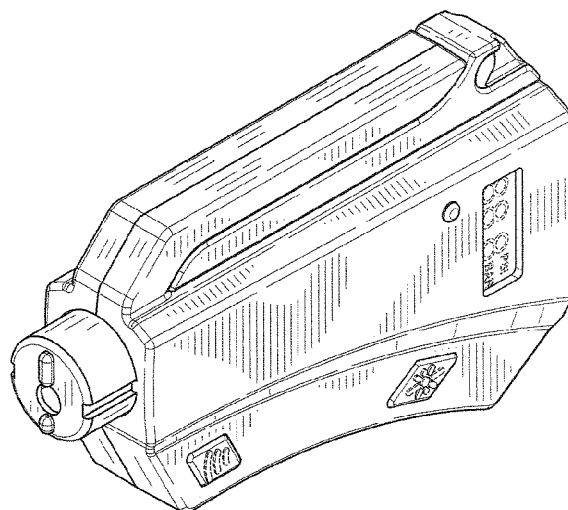
(57) **CLAIM**

The ornamental design for an auto emergency tool, as shown and described.

**DESCRIPTION**

FIG. 1 is a perspective top view of the auto emergency tool taken from an elevation at one end of the device; FIG. 2 is a perspective bottom view of the auto emergency tool taken from an elevation at the end of the device opposite the end from which the view in FIG. 1 was taken; FIG. 3 is a side view of the auto emergency tool taken from an elevation at one end of the device; FIG. 4 is a side view of the auto emergency tool taken from the opposite side of the device from which the view in FIG. 3 was taken; FIG. 5 is a top plan view of the auto emergency tool; FIG. 6 is a bottom view of the auto emergency tool; FIG. 7 is a front end view of the auto emergency tool; FIG. 8 is a rear end view of the auto emergency tool; FIG. 9 is a perspective top view of the auto emergency tool taken from an elevation at one end of the device mounted on a visor clip which is shown in dotted lines; and, FIG. 10 is a perspective rear top view of the auto emergency tool mounted on a visor clip which is shown with dotted lines. The broken lines in the drawing depict portions of the auto emergency tool that form no part of the claimed design.

**1 Claim, 4 Drawing Sheets**



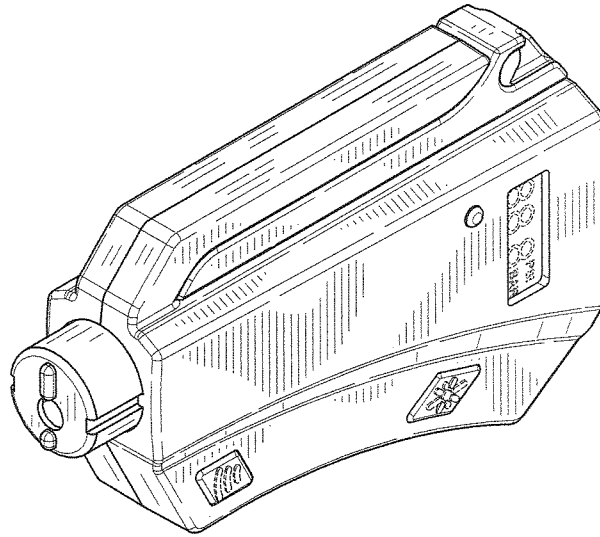


FIG-1

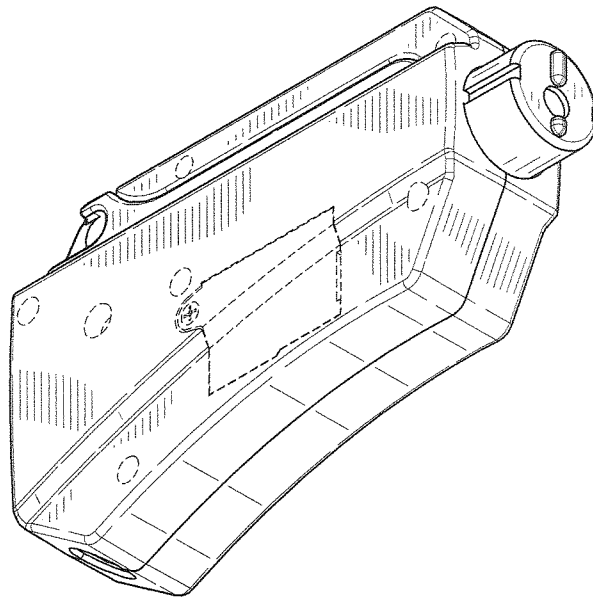


FIG-2

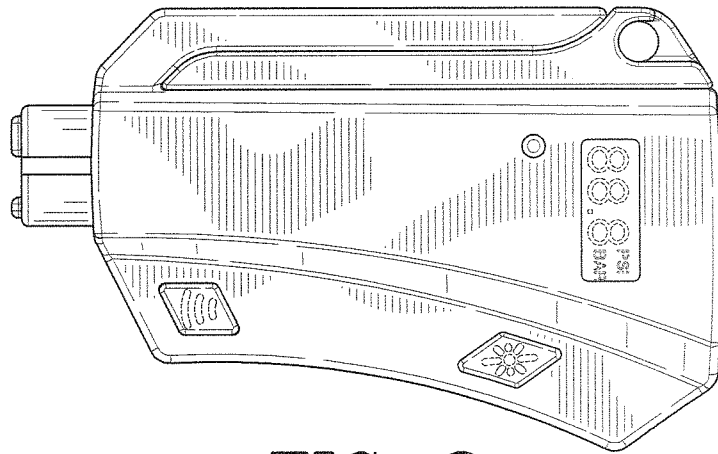


FIG-3

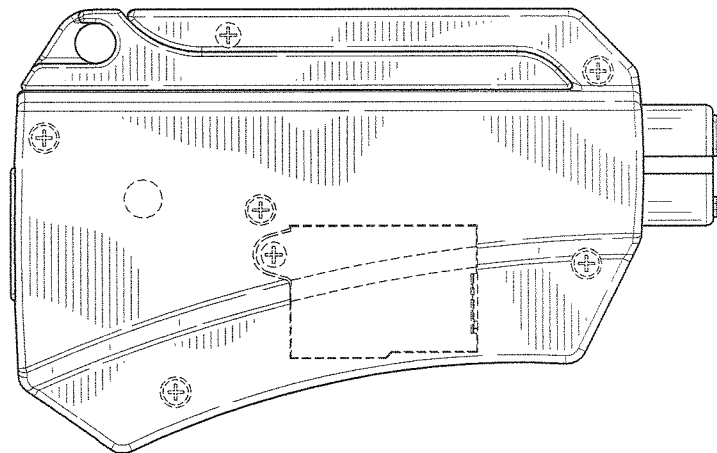


FIG-4

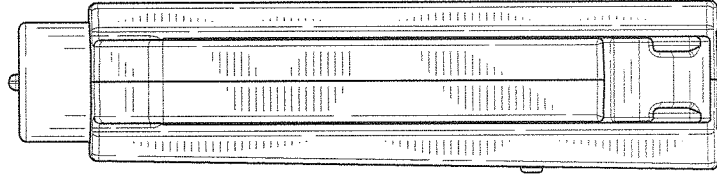


FIG-5

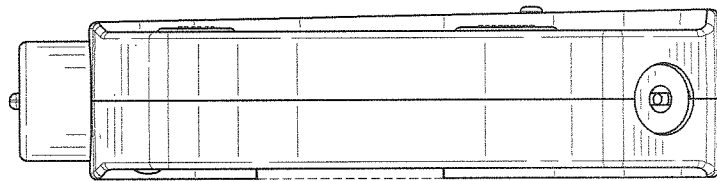


FIG-6

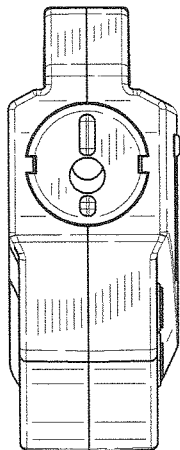


FIG-7

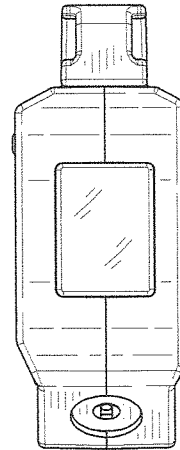


FIG-8

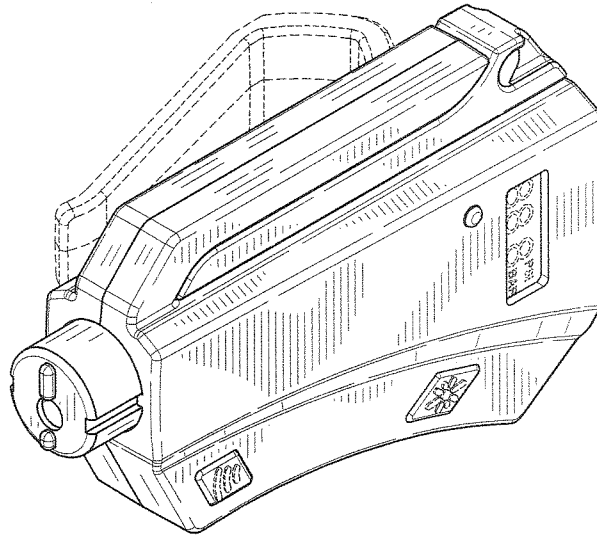


FIG-9

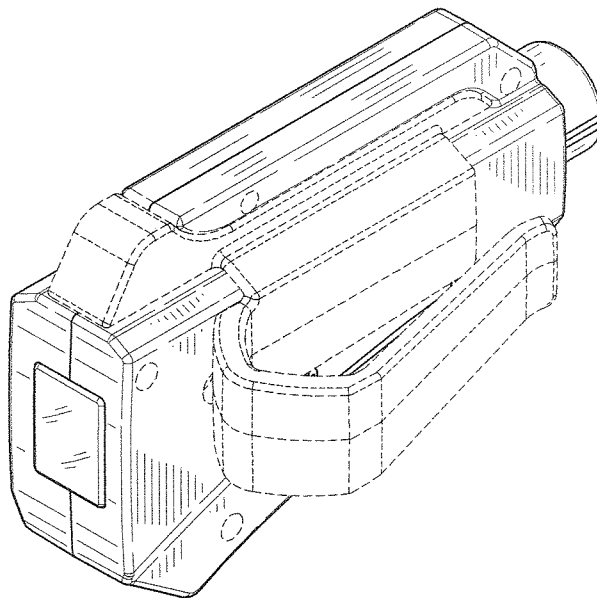


FIG-10