



(51) International Patent Classification:

H01Q 1/38 (2006.01) *H05K 3/42* (2006.01)
H01Q 9/04 (2006.01) *G01S 19/36* (2010.01)
H05K 1/03 (2006.01)

(21) International Application Number:

PCT/CA2017/050024

(22) International Filing Date:

10 January 2017 (10.01.2017)

(25) Filing Language:

English

(26) Publication Language:

English

(30) Priority Data:

15/151,122 10 May 2016 (10.05.2016) US

(71) Applicant: **NOVATEL INC.** [CA/CA]; 1120-68th Avenue N.E., Calgary, Alberta T2E 8S5 (CA).

(72) Inventor: **YANG, Ning**; 144 Edgedale Drive, N.W., Calgary, Alberta T3A 2R5 (CA).

(74) Agent: **HUNG, Shin** et al.; Borden Ladner Gervais LLP, World Exchange Plaza, 100 Queen Street, Suite 1300, Ottawa, Ontario K1P 1J9 (CA).

(81) Designated States (unless otherwise indicated, for every kind of national protection available): AE, AG, AL, AM, AO, AT, AU, AZ, BA, BB, BG, BH, BN, BR, BW, BY, BZ,

CA, CH, CL, CN, CO, CR, CU, CZ, DE, DJ, DK, DM, DO, DZ, EC, EE, EG, ES, FI, GB, GD, GE, GH, GM, GT, HN, HR, HU, ID, IL, IN, IR, IS, JP, KE, KG, KH, KN, KP, KR, KW, KZ, LA, LC, LK, LR, LS, LU, LY, MA, MD, ME, MG, MK, MN, MW, MX, MY, MZ, NA, NG, NI, NO, NZ, OM, PA, PE, PG, PH, PL, PT, QA, RO, RS, RU, RW, SA, SC, SD, SE, SG, SK, SL, SM, ST, SV, SY, TH, TJ, TM, TN, TR, TT, TZ, UA, UG, US, UZ, VC, VN, ZA, ZM, ZW.

(84) Designated States (unless otherwise indicated, for every kind of regional protection available): ARIPO (BW, GH, GM, KE, LR, LS, MW, MZ, NA, RW, SD, SL, ST, SZ, TZ, UG, ZM, ZW), Eurasian (AM, AZ, BY, KG, KZ, RU, TJ, TM), European (AL, AT, BE, BG, CH, CY, CZ, DE, DK, EE, ES, FI, FR, GB, GR, HR, HU, IE, IS, IT, LT, LU, LV, MC, MK, MT, NL, NO, PL, PT, RO, RS, SE, SI, SK, SM, TR), OAPI (BF, BJ, CF, CG, CI, CM, GA, GN, GQ, GW, KM, ML, MR, NE, SN, TD, TG).

Published:

— with international search report (Art. 21(3))

(54) Title: STACKED PATCH ANTENNAS USING DIELECTRIC SUBSTRATES WITH PATTERNED CAVITIES

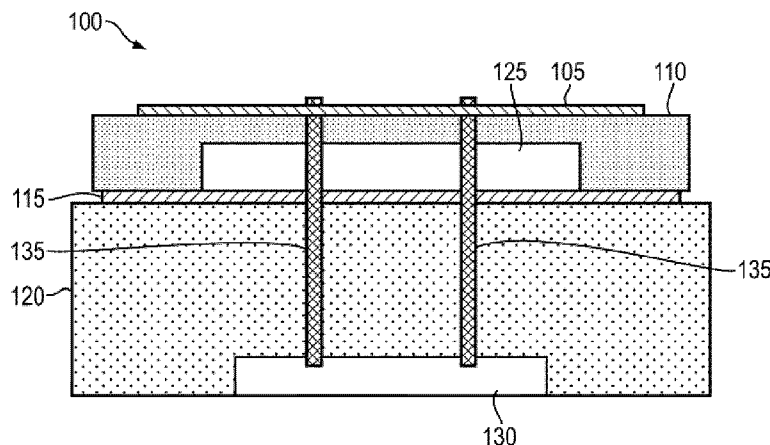


FIG. 1

(57) Abstract: A GNSS RHCP stacked patch antenna with wide dual band, high efficiency and small size is made of a molded high-permittivity material, such as ceramics, with a patterned cavity in the dielectric substrate. The perforated cavities in the substrate reduce the effective dielectric constant, increase the bandwidth and efficiency. The high-order modes can be manipulated through the design of cavities.



STACKED PATCH ANTENNAS USING DIELECTRIC SUBSTRATES WITH PATTERNED CAVITIES

BACKGROUND

A patch antenna is often utilized as a low-profile and low-cost multi-constellation
 5 global navigation satellite system (GNSS) antenna due to its planar configuration and ease
 of integration with circuit boards. To shrink the size of the antenna, it is well known in the
 art to use ceramic material as the substrate. Typical considerations of using ceramics are
 its high DK (ϵ' , dielectric constant) and low dielectric loss. Depending on the compounds
 and composites, the DK of the ceramics can vary from the range of approximately 4 to
 10 several hundred. To cover the dual-band requirements of a typical GNSS system, two or
 more stacked patches are required to resonate at each frequency. For circular patches, the
 fundamental mode of operation is TM₁₁ mode, which has an upper-hemisphere radiation
 pattern that works well for GNSS applications. Using the well known cavity model, the
 fundamental mode's resonance frequency is given by

15

$$(f_r)_{11} = \frac{\chi_{11} c}{2\pi a_{eff} \sqrt{\epsilon_{eq}}},$$

where χ_{11} represents the first zero of the derivative of the Bessel function, $J_1'(\chi)=0$, a_{eff} is
 the effective radius of the circular patch disk, ϵ_{eq} is the equivalent dielectric constant and c
 is the speed of light. Using the same material as substrate, the sizes of the two patches are
 20 significantly different: the top one resonating at the L1 band is roughly about 77% of the
 L2 patch at the bottom layer. Therefore, the overall lateral size of the antenna is
 determined by the bottom radiator. Using ceramic as substrate reduces the size of the
 antenna, but as a noted disadvantage, it also narrows the bandwidth since the quality factor

Q of the resonant antenna is inversely proportional to the volume it physically occupy according to Chu-Harrington limit for electrically small antennas.

SUMMARY

5 The disadvantages of the prior art are overcome by utilizing a stacked patch antenna using an exemplary molded ceramic puck with perforated air-cavities as the substrate. Illustratively, the substrate for the antenna is not completely filled with ceramic, but some part filled with air. The effective permittivity in the perforated dielectric region is determined from the *porosity*, or *void fraction* of the perforation, defined as the fraction
10 of the volume of the voids-space over the total bulk volume of the material.

 By having a ceramic puck with one or more perforated air cavities, a number of noted advantages are obtained. By introducing perforation to the dielectric substrate for the top layer patch of the stacked antenna, the effective permittivity in the patterned area of the ceramic is reduced so that the L1-band resonance occupied volume is illustratively
15 increased without changing the overall material weight significantly. Through this, the Q -factor decreases and the operation bandwidth is substantially widened. At the same time, the weight of the ceramic is decreased due to the perforation. Further, the electromagnetic field distribution at resonance is changed by the perforation in the substrate. This gives the designer the flexibility to change the size of the patches, and therefore the bandwidth by
20 varying the perforation position, size and pattern.

 Using illustrative dual-band stacked patch antenna, only one set of direct feeds to the top patch radiator is applied since the excitation of the bottom patch (L2 band) element is through parasitic coupling. The stacked patch can be modeled by two coupled resonators.

The coupling affects the impedance bandwidth of the bottom patch element; therefore the capability of varying the top patch size facilitates possible control over the coupling and the impedance matching.

Further, by manipulating the positions where the cavities are located, the frequency ratio between the high order mode and fundamental mode can be controlled. This is possible as the voltage peaks for different modes of resonating standing waves are located at different regions of the antenna. This is especially useful in the situation where harmonic or higher-frequency radiation needs to be controlled.

10

BRIEF DESCRIPTION OF THE DRAWINGS

The description below refers to the accompanying drawings, of which:

Fig. 1 is a side view of an exemplary stack patch antenna in accordance with an illustrative embodiment of the present invention;

Fig. 2 is a bottom view of ceramic component of a patch antenna showing a cavity in accordance with an illustrative embodiment of the present invention;

Fig. 3 is a perspective view of an exemplary stack patch antenna in accordance with an illustrative embodiment of the present invention;

Fig. 4 is a side view of an exemplary stack patch antenna having a plurality of cavities in accordance with an illustrative embodiment of the present invention;

Fig. 5 is a bottom view of ceramic component of a patch antenna showing a plurality of cavities in accordance with an illustrative embodiment of the present invention;

Fig. 6A is a chart illustrating the antenna without perforation in accordance with an illustrative embodiment of the present invention;

Fig. 6B is a chart illustrating the antenna with perforation in accordance with an illustrative embodiment of the present invention;

5 Fig. 7A is a chart illustrating the high band gain of a RHCP antenna with and without perforation in accordance with an illustrative embodiment of the present invention; and

Fig. 7B is a chart illustrating the low band gain of a RHCP antenna with and without perforation in accordance with an illustrative embodiment of the present
10 invention.

DETAILED DESCRIPTION OF AN ILLUSTRATIVE EMBODIMENT

In accordance with an illustrative embodiment of the present invention, the bandwidth of an exemplary ceramic antenna is designable and flexible. Illustratively, this
15 is achieved by molding the ceramic with perforated cavities and using the perforated ceramic as the substrate for an exemplary patch antenna. The reason for perforating cavities, rather than holes, is to keep top-surface of the ceramic unaffected so that the same metallization process as conventional non-perforated ceramic may be used in accordance with illustrative embodiments of the present invention.

20 Fig. 1 is a side view of an exemplary dual stack patch antenna 100 in accordance with an illustrative embodiment of the present invention. The dual stack patch antenna 100 illustratively comprises of a first metal layer 105, a first ceramic layer 110, a second metal layer 115 and a second ceramic layer 120. Illustratively, the first metal layer is disposed on a top surface of the first ceramic later 110. The second metal later 115 is disposed between

a bottom surface of the first ceramic layer and a top surface of the second ceramic layer 120.

The first ceramic layer 110 comprises a cavity 125 that comprises of an air void. Illustratively, the cavity 125 may range in size in accordance with alternative 5 embodiments of the present invention. As such, the description or depiction of the cavity 125 should be taken as exemplary only. Similarly, the second ceramic layer 120 comprises of a second cavity 130 that may range in size in accordance with alternative embodiments of the present invention. Illustratively, both cavities 125, 130 are located on a bottom 10 portion of the respective ceramic layers 110, 120. That is, the cavities 125, 130 are located on a bottom side of the respective ceramic layers. In accordance with an illustrative embodiment of the present invention, a volume of the first cavity 125 is larger than a volume of the second cavity 130. However, in alternative embodiments, the two cavities may have the same and/or differing volumes. As such, the description of the first cavity having a larger volume than the second cavity should be taken as exemplary only.

15 Additionally one or more through holes 135 are provided to enable feed wires and/or pins to be passed to the first metal layer 105 and/or the second metal layer 115 in accordance with illustrative embodiments of the present invention. In accordance with an illustrative embodiment, there are four (4) through holes 135. However, it should be noted that in alternative embodiments of the present invention varying numbers of through holes 20 may be utilized. As such, the description of four through holes should be taken as exemplary only.

Fig. 2 is a bottom view 200 of ceramic component 110 of a patch antenna showing a cavity 125 in accordance with an illustrative embodiment of the present invention. In view 200, the ceramic component 110 has 10 sides and the cavity 125 is similarly ten 25 sided. It should be noted that in accordance with alternative embodiments of the present

invention, the ceramic component and/or cavity may have differing geometries. For example, both may be substantially circular in shape, etc.

Fig. 3 is a perspective view 300 of an exemplary stack patch antenna 100 in accordance with an illustrative embodiment of the present invention. The view 300 is a cut away view showing the various components of the antenna 100. The view 300 illustrative the plurality of through holes 135 extending from a base of the antenna 100. The view 300 further illustrates the first metal layer 105 disposed on top of the first ceramic layer 110 having a cavity 125. The second metal layer 115 is then disposed on top of the second ceramic layer 120 having a second cavity 130.

10 Fig. 4 is a side view of an exemplary stack patch antenna 400 having a plurality of cavities in accordance with an illustrative embodiment of the present invention.

Illustratively, the antenna 400 comprises of a first metal layer 105 disposed on the top of a first ceramic layer 110. A second metal layer 115 is disposed between a bottom side of the first ceramic layer 110 and a top side of the second ceramic layer 120, one or more though
15 holes 135 are arranged through the various layers to enable a signal to be fed/received from the first metal layer 105. In accordance with alternative embodiments of the present invention a plurality of cavities 125 are disposed along the bottom of the first ceramic layer 120. Similarly, a plurality of cavities 130 are disposed along a bottom side of the second ceramic layer 120.

20 Fig. 5 is a bottom view 500 of ceramic component 110 of a patch antenna 400 showing a plurality of cavities 125 in accordance with an illustrative embodiment of the present invention. As noted above in reference to Fig. 4, each of the ceramic layers 110, 120 include a plurality of cavities 125, 130. In accordance with an illustrative embodiment of the present invention, the cavities are configured in a round shape. However, in
25 accordance with alternative embodiments of the present invention, the cavities may have

any shape and/or size. As such, the depiction of the cavities 125 should be taken as exemplary only. Further, while Fig. 5 depicts cavities 125 within first ceramic layer 110, the cavities 130 within second ceramic layer 120 may be similarly arranged. As such, the description of Fig. 5 being in reference to first ceramic layer 110 should be taken as
5 exemplary only. It should be noted that in accordance with an illustrative embodiment of the present invention, the plurality of cavities in a ceramic layer are arranged in a symmetric or substantially symmetric manner.

Fig. 6A is a chart illustrating an illustrative antenna without perforation in accordance with an illustrative embodiment of the present invention. Similarly, Fig. 6B is
10 a chart illustrating an antenna with exemplary cavity perforations in accordance with an illustrative embodiment of the present invention. Both Figs. 6A and 6B illustrate the wideband sweep of the S parameters of an antenna with and without the cavities as described in accordance with illustrative embodiments of the present invention. As will be appreciated by those skilled in the art, those antennas with perforations (i.e., those
15 antennas with cavities in accordance with embodiments of the present invention) may be used to move manipulate the harmonics and control the frequency ratio between the high order mode and the fundamental mode.

Fig. 7A is a chart illustrating the high band gain of a RHCP antenna with and without perforation in accordance with an illustrative embodiment of the present
20 invention. As can be observed from Fig. 7A, there is an improved gain when the antennas have the perforations (cavities) in accordance with an illustrative embodiment of the present invention. Fig. 7B is a chart illustrating the low band gain of a RHCP antenna with and without perforation in accordance with an illustrative embodiment of the present invention. As can be observed from Fig. 7B, there is an improved gain when the antennas

have the perforations (cavities) in accordance with an illustrative embodiment of the present invention.

It is expressly contemplated that the principles of the present invention may be implemented in hardware, software, including a non-transitory computer readable media, 5 firmware or any combination thereof. Further, the description of specific sizes and/or numbers of cavities should be taken as exemplary only.

CLAIMS:

1. An antenna comprising:
 - a first metal layer disposed on a first surface of a first ceramic layer;
 - a second metal layer disposed between a second surface of the first ceramic layer and a first surface of a second ceramic layer;
 - wherein the first ceramic layer has a first air filled cavity; and
 - wherein the second ceramic layer has a second air filled cavity.

2. The antenna of claim 1 further comprising one or more through holes extending from the first metal layer, through the first ceramic layer, the second metal layer and the second ceramic layer to enable radio frequency signals to pass to the first metal layer.

3. The antenna of claim 1 wherein the first air filled cavity is disposed against the second metal layer.

4. The antenna of claim 1 wherein the second air filled cavity is disposed on a second surface of the second ceramic layer.

5. The antenna of claim 1 wherein the first air filled cavity comprises of a plurality of first air cavities.

6. The antenna of claim 1 wherein the second air filled cavity comprises a plurality of second air filled cavities.

7. An antenna comprising:
 - a first metal layer disposed on a first surface of a first ceramic layer;
 - a second metal layer disposed between a second surface of the first ceramic layer and a first surface of a second ceramic layer;
 - wherein the first ceramic layer has a plurality of first air filled cavities; and
 - wherein the second ceramic layer has a plurality of second air filled cavities.
8. The antenna of claim 7 further comprising one or more through holes extending from the first metal layer, through the first ceramic layer, the second metal layer and the second ceramic layer to enable radio frequency signals to pass to the first metal layer.
9. The antenna of claim 7 wherein the plurality of first air filled cavities are arranged substantially symmetrically on the first ceramic layer.
10. The antenna of claim 7 wherein the plurality of second air filled cavities are arranged substantially symmetrically on the second ceramic layer.

1/7

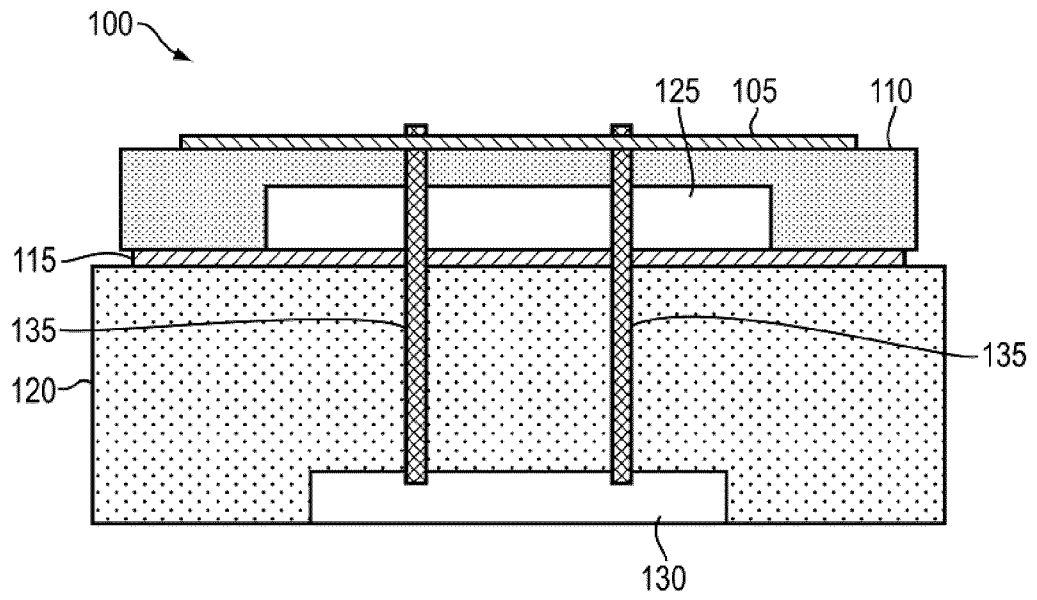


FIG. 1

2/7

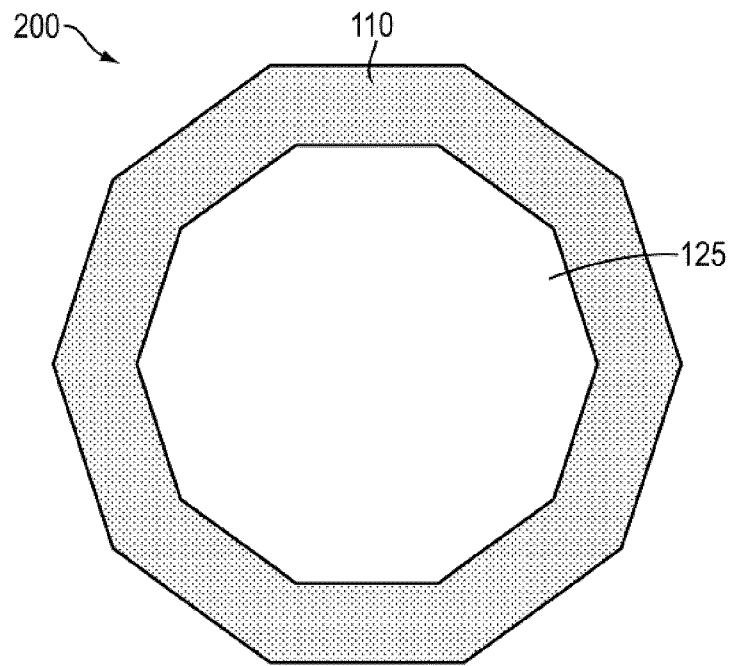


FIG. 2

3/7

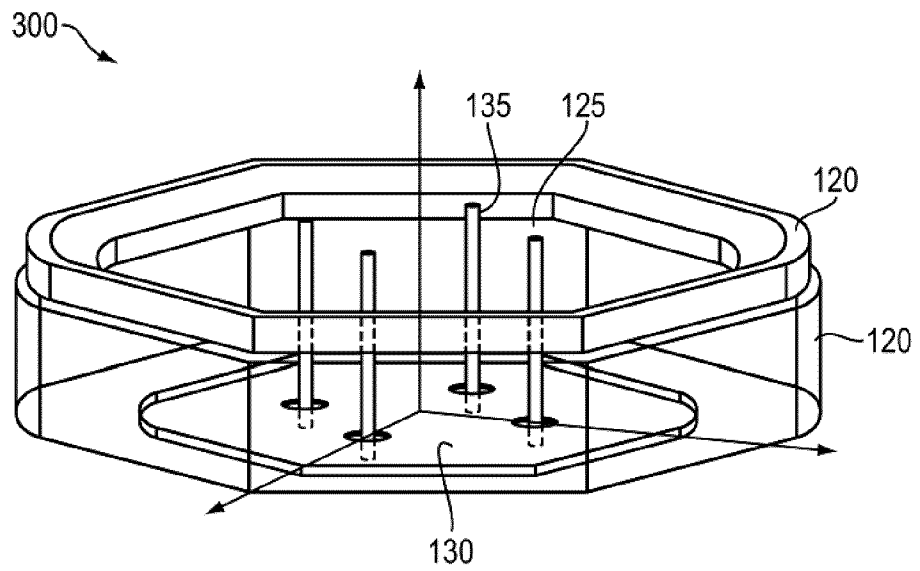


FIG. 3

4/7

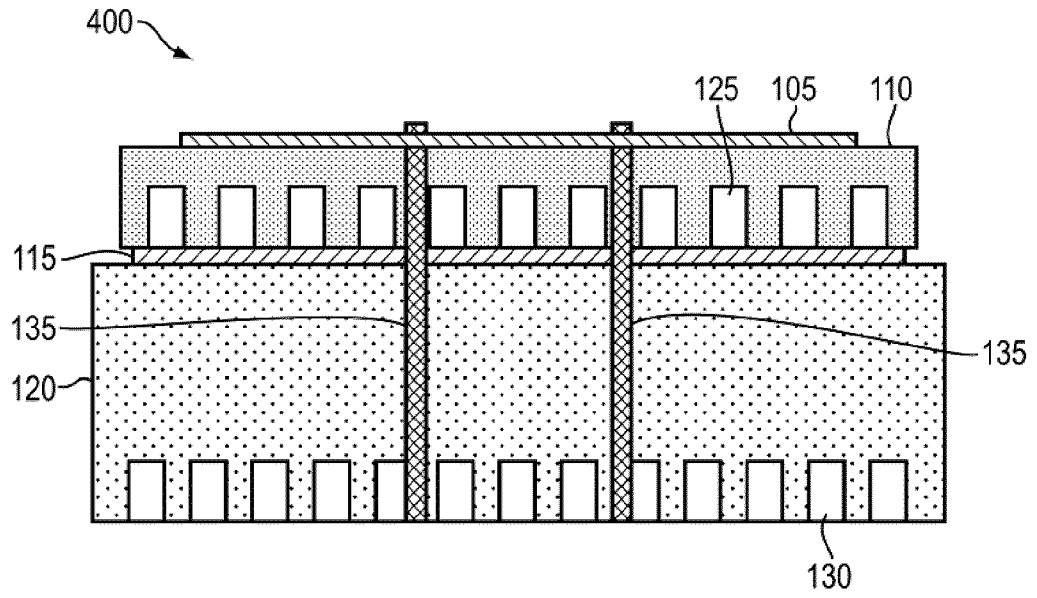


FIG. 4

5/7

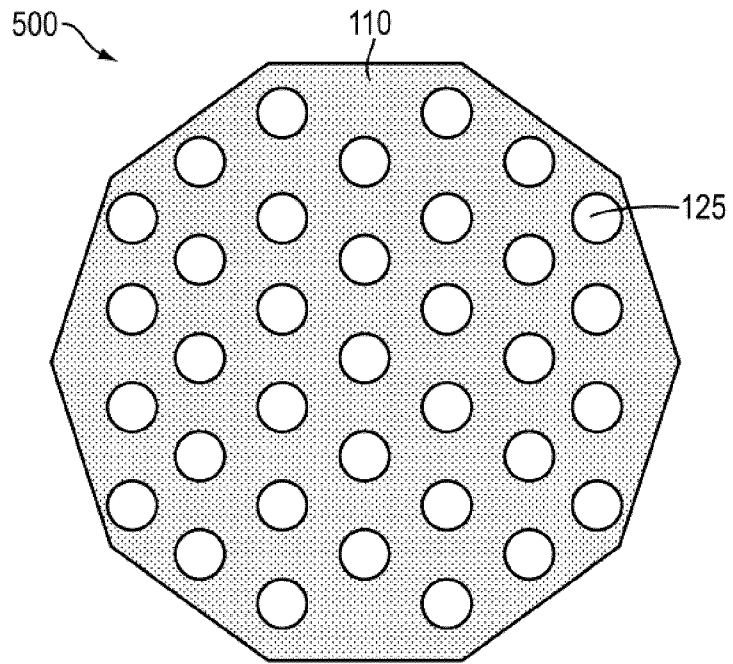


FIG. 5

6/7

SP

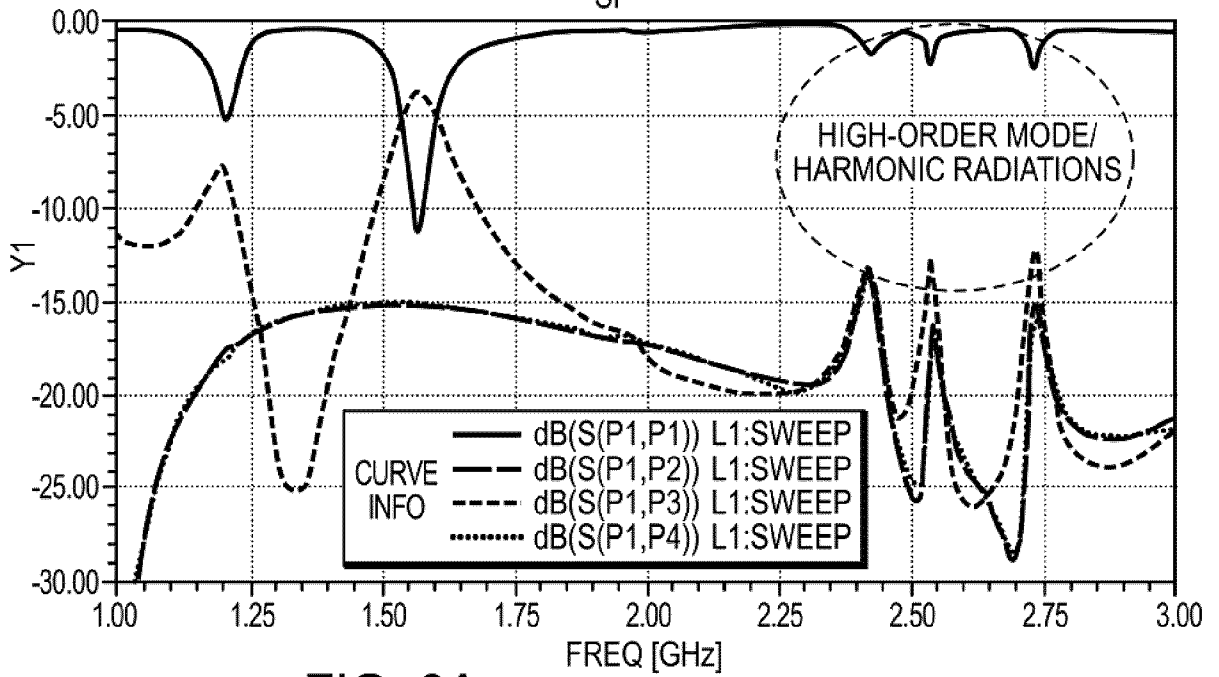


FIG. 6A

SP

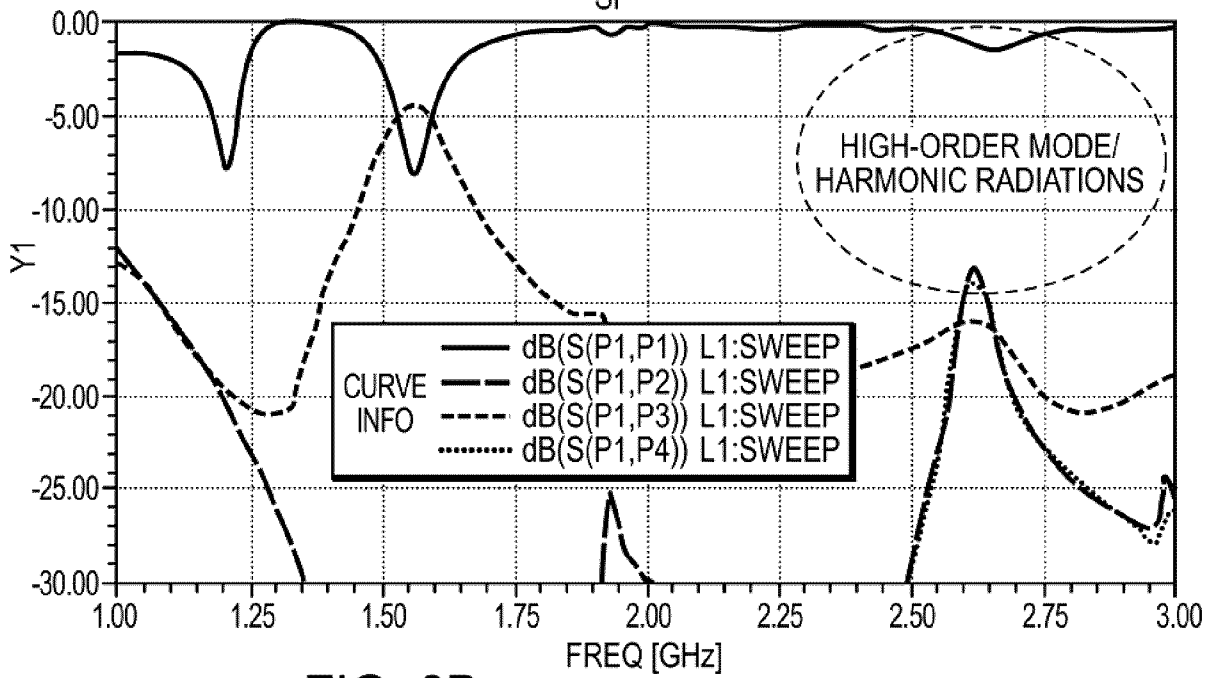


FIG. 6B

7/7

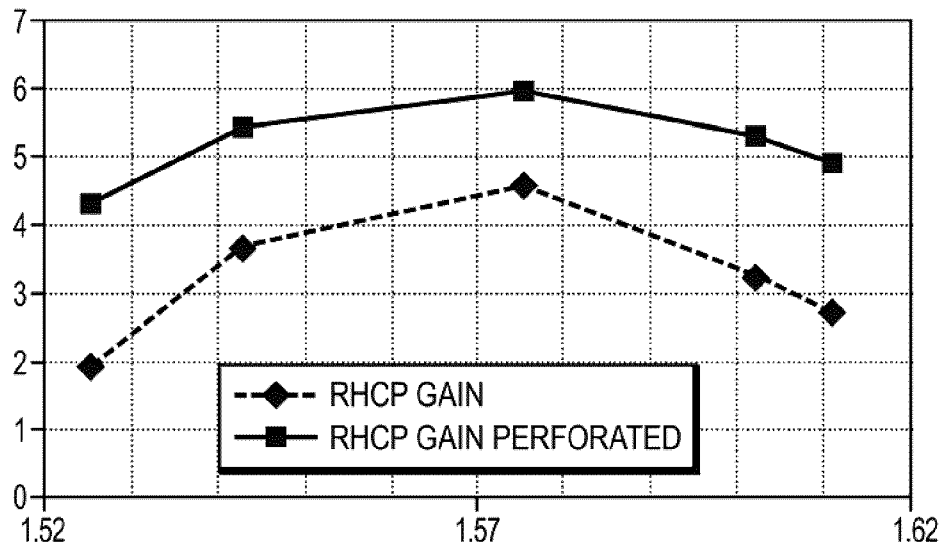


FIG. 7A

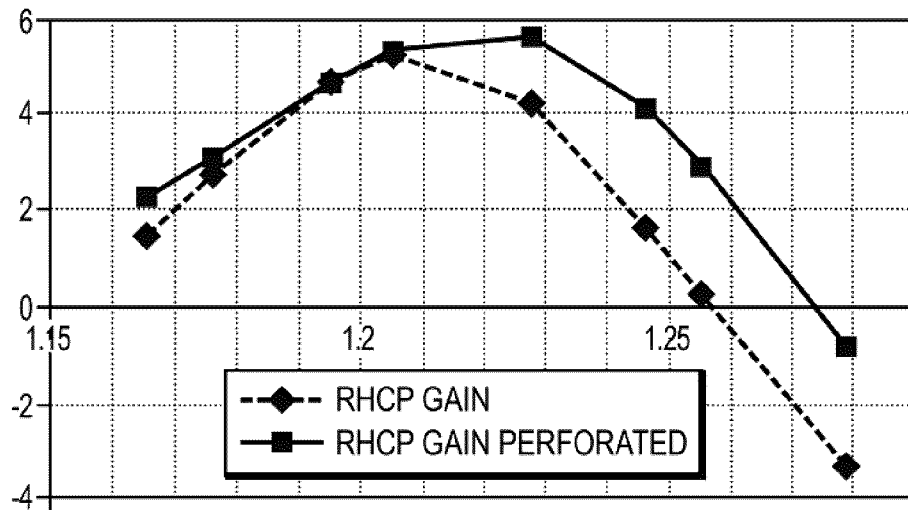


FIG. 7B

INTERNATIONAL SEARCH REPORT

International application No.

PCT/CA2017/050024

<p>A. CLASSIFICATION OF SUBJECT MATTER IPC: H01Q 1/38 (2006.01), H01Q 9/04 (2006.01), H05K 1/03 (2006.01), H05K 3/42 (2006.01), G01S 19/36 (2010.01)</p> <p>According to International Patent Classification (IPC) or to both national classification and IPC</p>										
<p>B. FIELDS SEARCHED</p> <p>Minimum documentation searched (classification system followed by classification symbols) IPC: H01Q 1/38 (2006.01), H01Q 9/04 (2006.01), H05K 1/03 (2006.01), H05K 3/42 (2006.01)</p> <p>Documentation searched other than minimum documentation to the extent that such documents are included in the fields searched</p> <p>Electronic database(s) consulted during the international search (name of database(s) and, where practicable, search terms used) Questel and Canadian Patents Database. Keywords: antenna, dielectric, ceramic, patch, air/cavity/space/gap</p>										
<p>C. DOCUMENTS CONSIDERED TO BE RELEVANT</p> <table border="1"> <thead> <tr> <th>Category*</th> <th>Citation of document, with indication, where appropriate, of the relevant passages</th> <th>Relevant to claim No.</th> </tr> </thead> <tbody> <tr> <td>Y</td> <td>US 2004/0021606 A1 Shigihara et al. 05 February 2004 (05-02-2004) *figure 9*</td> <td>1-10</td> </tr> <tr> <td>Y</td> <td>US 5300936 A Izadian 05 April 1994 (05-04-1994) *figure 3*</td> <td>1-10</td> </tr> </tbody> </table>		Category*	Citation of document, with indication, where appropriate, of the relevant passages	Relevant to claim No.	Y	US 2004/0021606 A1 Shigihara et al. 05 February 2004 (05-02-2004) *figure 9*	1-10	Y	US 5300936 A Izadian 05 April 1994 (05-04-1994) *figure 3*	1-10
Category*	Citation of document, with indication, where appropriate, of the relevant passages	Relevant to claim No.								
Y	US 2004/0021606 A1 Shigihara et al. 05 February 2004 (05-02-2004) *figure 9*	1-10								
Y	US 5300936 A Izadian 05 April 1994 (05-04-1994) *figure 3*	1-10								
<p><input type="checkbox"/> Further documents are listed in the continuation of Box C.</p>										
<p><input checked="" type="checkbox"/> See patent family annex.</p>										
<p>* Special categories of cited documents:</p> <p>“A” document defining the general state of the art which is not considered to be of particular relevance</p> <p>“E” earlier application or patent but published on or after the international filing date</p> <p>“L” document which may throw doubts on priority claim(s) or which is cited to establish the publication date of another citation or other special reason (as specified)</p> <p>“O” document referring to an oral disclosure, use, exhibition or other means</p> <p>“P” document published prior to the international filing date but later than the priority date claimed</p>	<p>“T” later document published after the international filing date or priority date and not in conflict with the application but cited to understand the principle or theory underlying the invention</p> <p>“X” document of particular relevance; the claimed invention cannot be considered novel or cannot be considered to involve an inventive step when the document is taken alone</p> <p>“Y” document of particular relevance; the claimed invention cannot be considered to involve an inventive step when the document is combined with one or more other such documents, such combination being obvious to a person skilled in the art</p> <p>“&” document member of the same patent family</p>									
<p>Date of the actual completion of the international search 30 January 2017 (30-01-2017)</p>	<p>Date of mailing of the international search report 13 February 2017 (13-02-2017)</p>									
<p>Name and mailing address of the ISA/CA Canadian Intellectual Property Office Place du Portage I, C114 - 1st Floor, Box PCT 50 Victoria Street Gatineau, Quebec K1A 0C9 Facsimile No.: 819-953-2476</p>	<p>Authorized officer Tariq Khader (819) 639-7977</p>									

INTERNATIONAL SEARCH REPORT
Information on patent family members

International application No.
PCT/CA2017/050024

Patent Document Cited in Search Report	Publication Date	Patent Family Member(s)	Publication Date
US2004021606A1	05 February 2004 (05-02-2004)	US2004021606A1 EP1381111A1 JP2004048364A JP2004048367A	05 February 2004 (05-02-2004) 14 January 2004 (14-01-2004) 12 February 2004 (12-02-2004) 12 February 2004 (12-02-2004)
US5300936A	05 April 1994 (05-04-1994)	US5300936A DE69326984D1 DE69326984T2 EP0590955A2 EP0590955A3 EP0590955B1 JPH06132714A JP2553299B2	05 April 1994 (05-04-1994) 16 December 1999 (16-12-1999) 15 June 2000 (15-06-2000) 06 April 1994 (06-04-1994) 01 February 1995 (01-02-1995) 10 November 1999 (10-11-1999) 13 May 1994 (13-05-1994) 13 November 1996 (13-11-1996)