



US00D780841S

(12) **United States Design Patent**  
**Kim et al.**

(10) **Patent No.:** **US D780,841 S**  
(45) **Date of Patent:** **\*\* Mar. 7, 2017**

(54) **MULTI-FUNCTION PRINTER**  
(71) Applicant: **Samsung Electronics Co., Ltd.**,  
Suwon-si (KR)  
(72) Inventors: **Jong Kyu Kim**, Yongin-si (KR); **Min Chul Kim**, Seoul (KR); **Seung Wook Jeong**, Seoul (KR)  
(73) Assignee: **Samsung Electronics Co., Ltd.**,  
Suwon-si (KR)

D567,848 S \* 4/2008 Kawamura ..... D18/39  
D688,742 S \* 8/2013 Kim ..... D18/55  
D689,543 S \* 9/2013 Seki ..... D18/50  
D695,339 S \* 12/2013 Fukasawa ..... D18/55  
D697,966 S \* 1/2014 Fukasawa ..... D18/55  
D698,389 S \* 1/2014 Fukasawa ..... D18/55  
D702,760 S \* 4/2014 Kim ..... D18/55  
D726,250 S \* 4/2015 Kim ..... D18/55  
D726,251 S \* 4/2015 Kim ..... D18/55  
D742,960 S \* 11/2015 Lee ..... D18/50

\* cited by examiner

*Primary Examiner* — Cathy Anne MacCormac  
(74) *Attorney, Agent, or Firm* — NSIP Law

(\*\*) Term: **15 Years**  
(21) Appl. No.: **29/533,171**  
(22) Filed: **Jul. 15, 2015**

(57) **CLAIM**  
We claim the ornamental design for a multi-function printer, as shown and described.

(30) **Foreign Application Priority Data**  
Jan. 30, 2015 (KR) ..... 30-2015-0005251  
(51) **LOC (10) Cl.** ..... **18-02**  
(52) **U.S. Cl.**  
USPC ..... **D18/55**  
(58) **Field of Classification Search**  
USPC ..... D18/36-39, 50, 54, 54.1, 55;  
D14/420-425, 462-470  
CPC . B41J 3/4075; B41J 11/58; B41J 15/12; B41J  
15/042; B41J 17/00; B41J 29/02; B41J  
29/08  
See application file for complete search history.

**DESCRIPTION**

FIG. 1 is a front perspective view of a multi-function printer showing our new design;  
FIG. 2 is a front view thereof;  
FIG. 3 is a rear view thereof;  
FIG. 4 is a left-side view thereof;  
FIG. 5 is a right-side view thereof;  
FIG. 6 is a top view thereof;  
FIG. 7 is a bottom view thereof.  
FIG. 8 is another front perspective view of the multi-function printer shown in FIG. 1 but with the unclaimed features removed;  
FIG. 9 is a front view of FIG. 8; and  
FIG. 10 is a right side view of FIG. 8.  
The broken lines depict environmental subject matter and form no part of the claimed design.

(56) **References Cited**  
**U.S. PATENT DOCUMENTS**  
D550,279 S \* 9/2007 Tani ..... D18/50  
D565,650 S \* 4/2008 Tani ..... D18/50

**1 Claim, 10 Drawing Sheets**

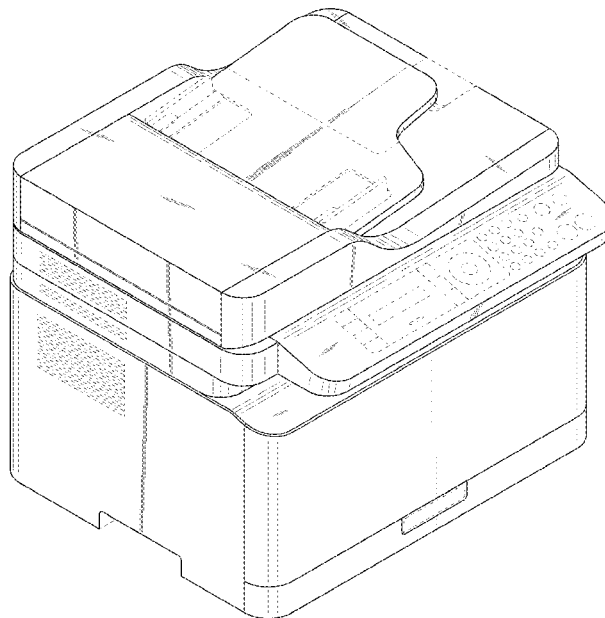


FIG.1

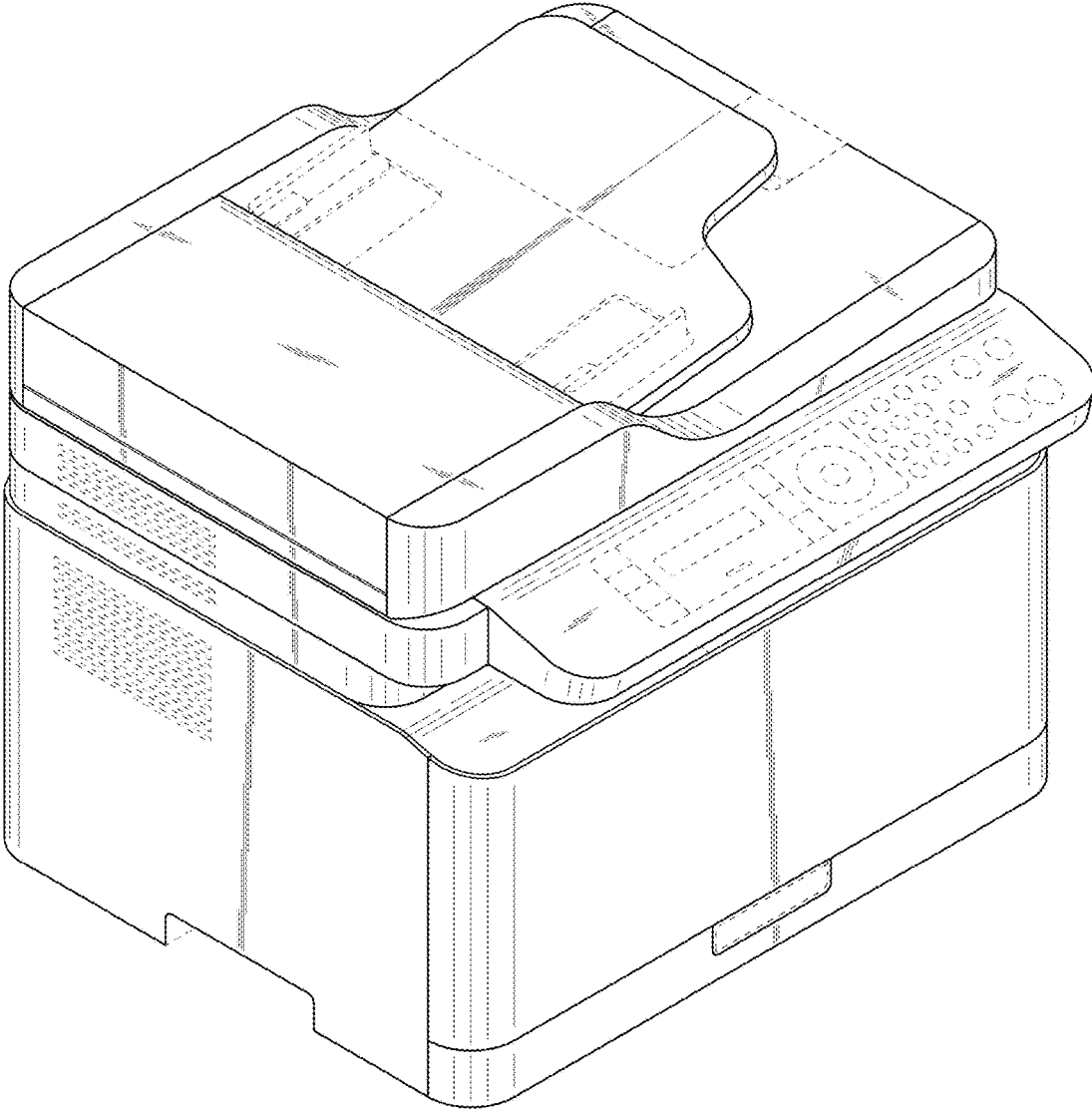


FIG.2

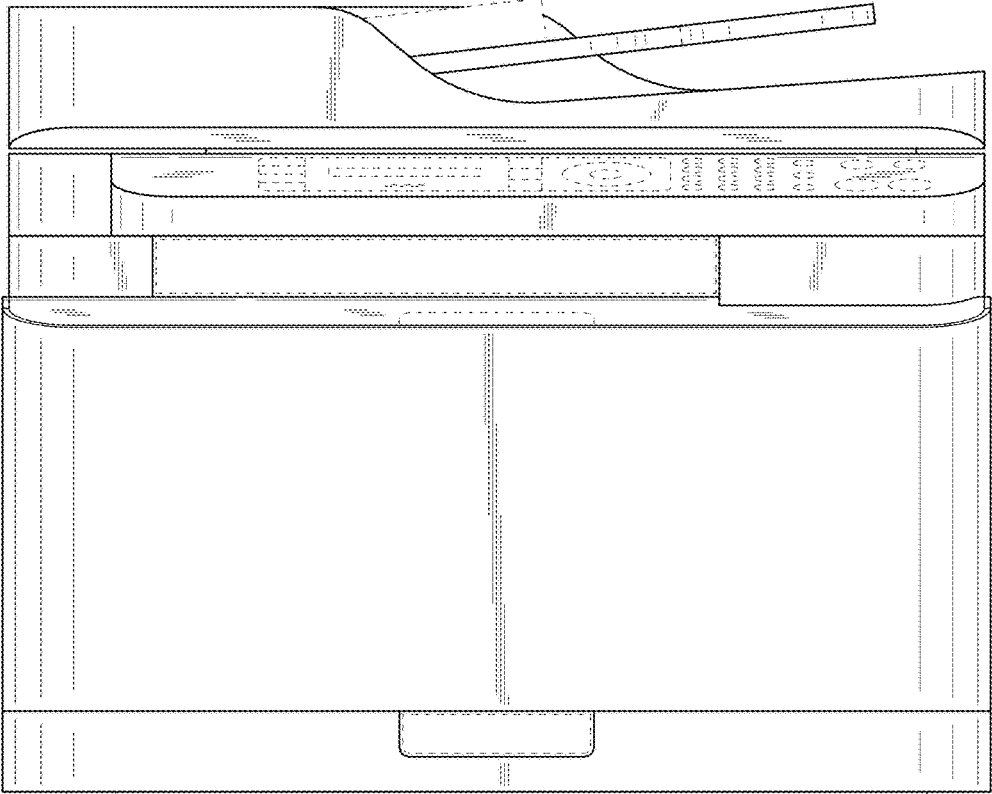


FIG.3

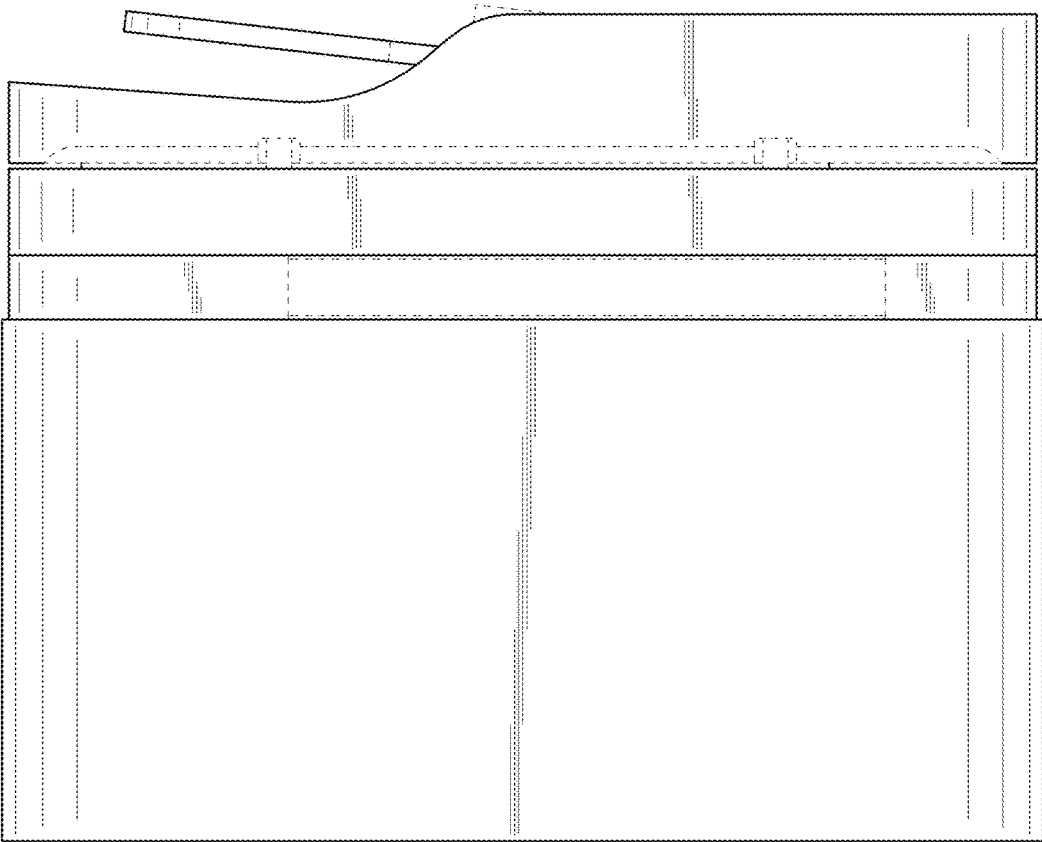


FIG.4

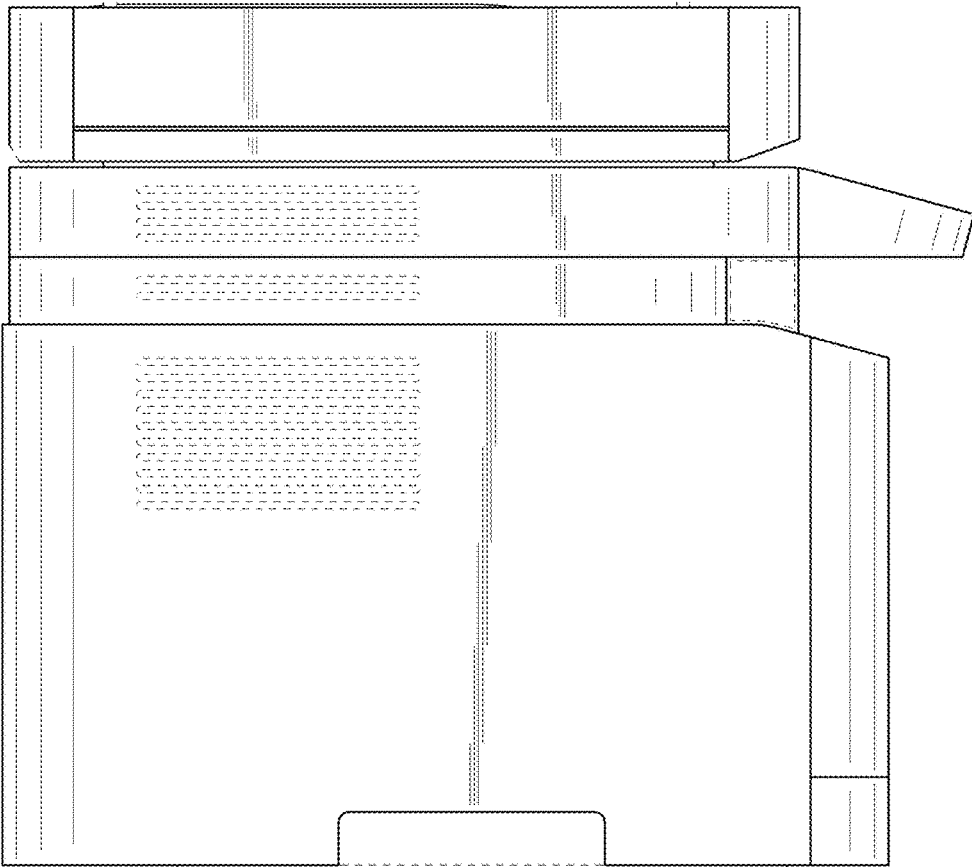


FIG.5

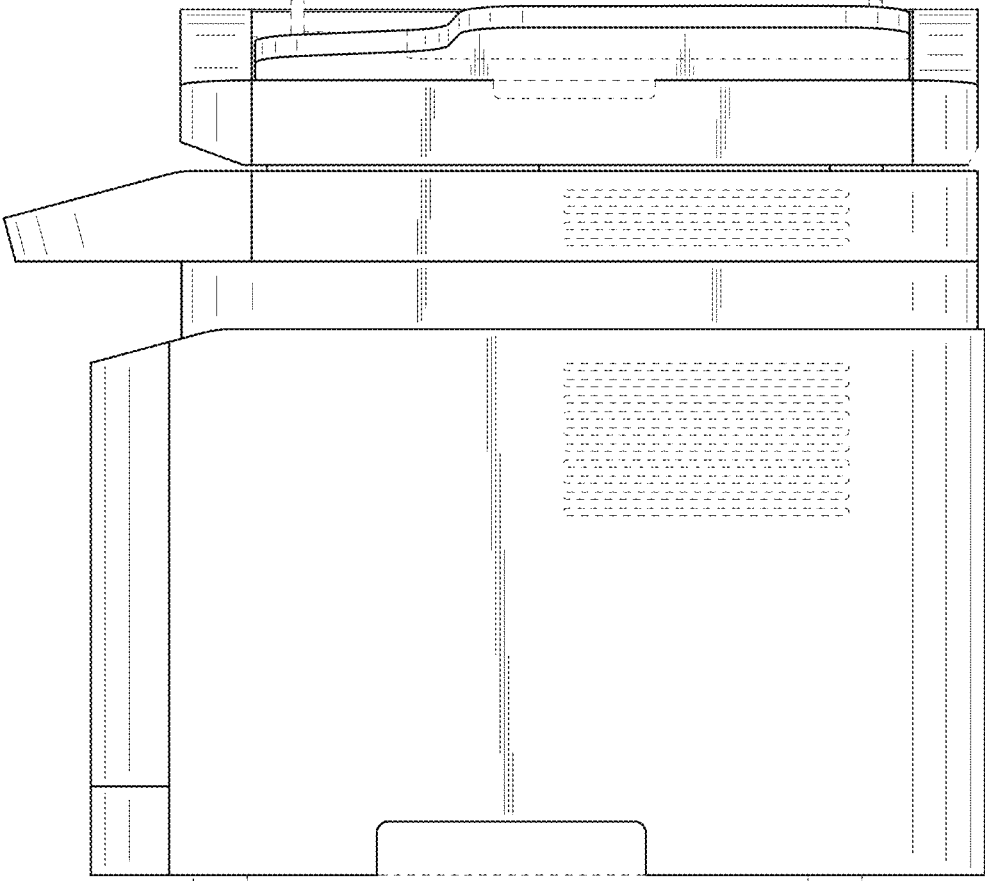


FIG.6

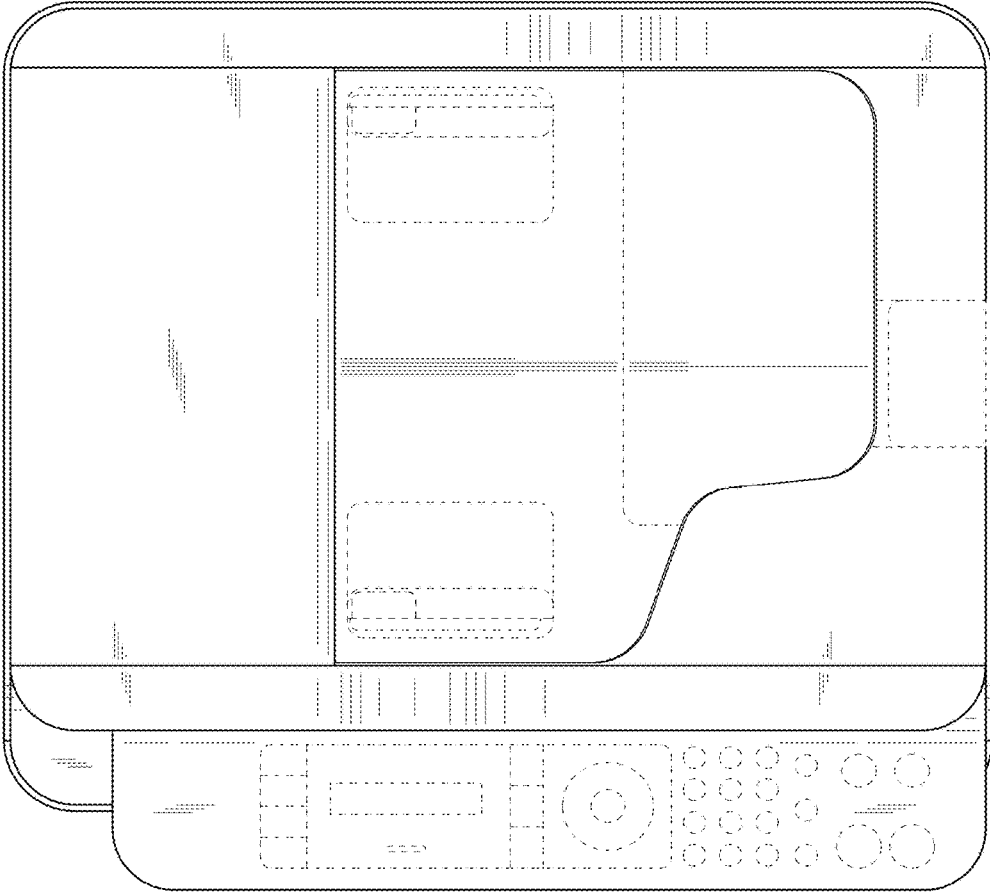


FIG.7

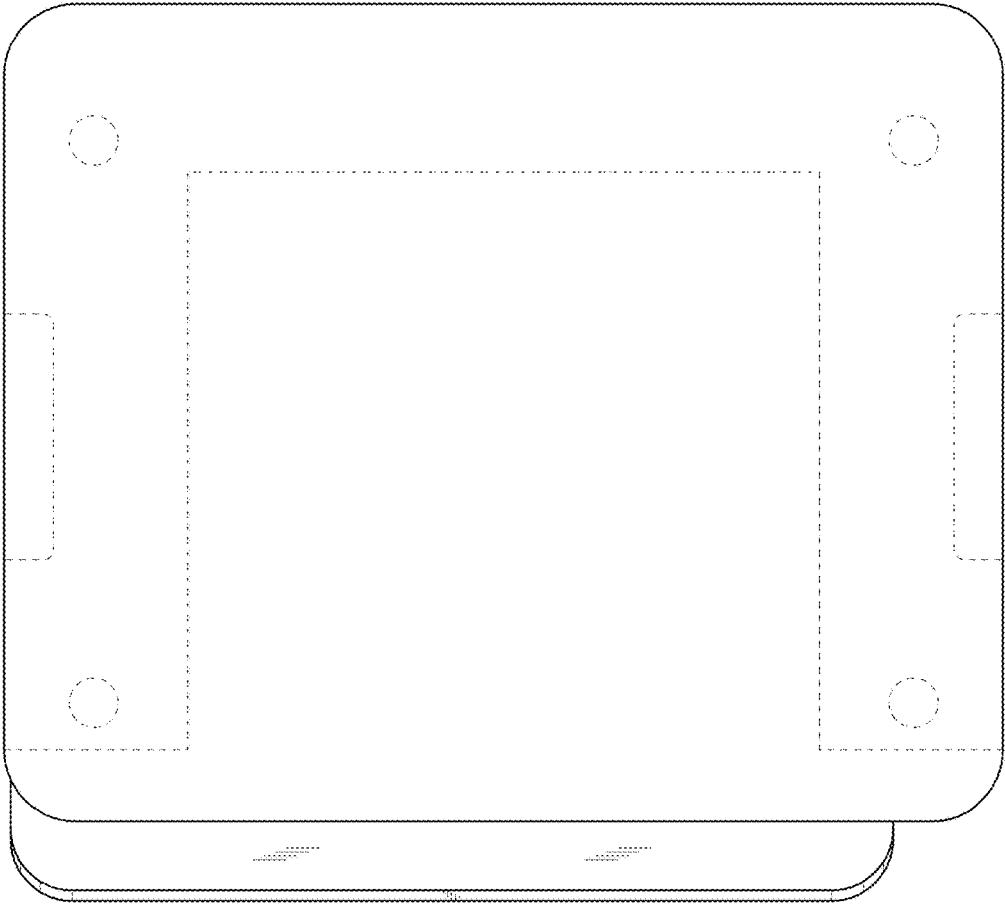


FIG.8

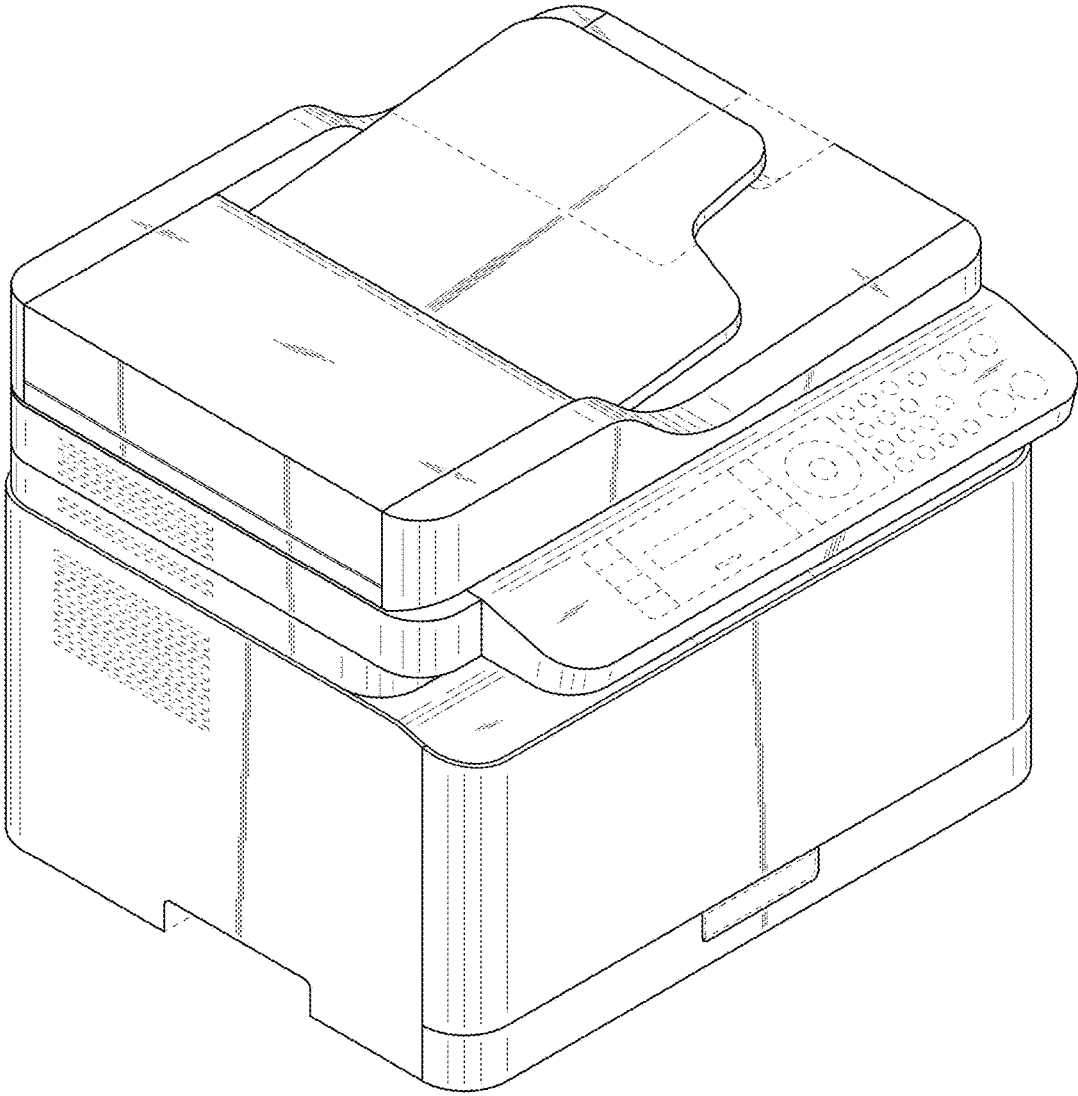


FIG.9

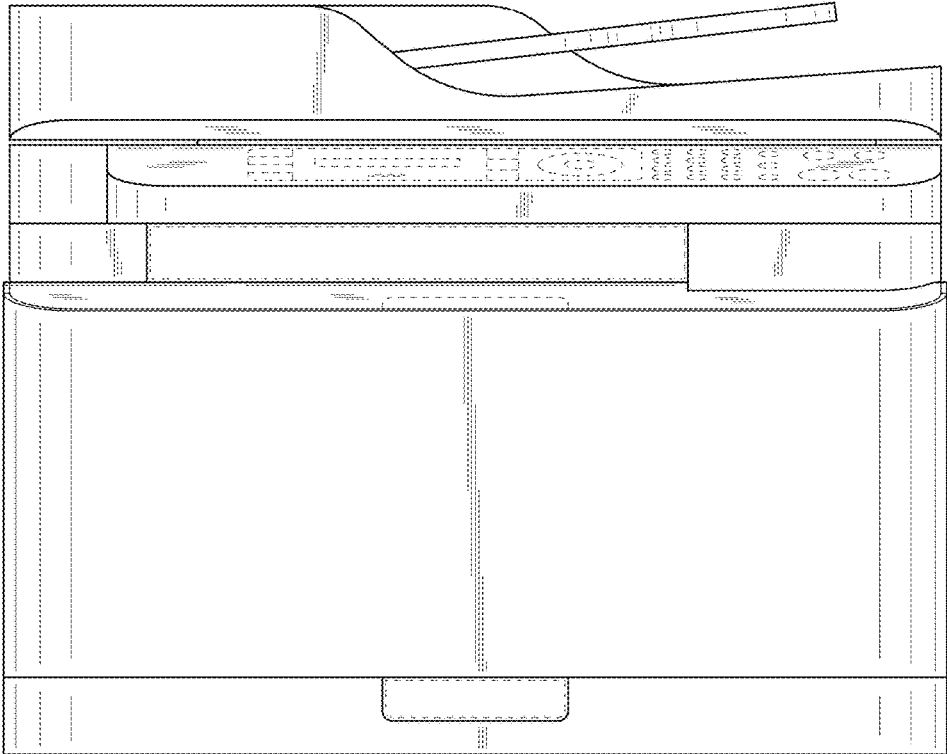


FIG.10

