



(12) **United States Design Patent**
Kitayama

(10) **Patent No.:** **US D630,756 S**
(45) **Date of Patent:** **** Jan. 11, 2011**

(54) **PROBE FOR AN ULTRASONIC DIAGNOSIS APPARATUS**

D555,252 S * 11/2007 Kitayama et al. D24/186
D596,299 S * 7/2009 Han et al. D24/186
D616,991 S * 6/2010 Kitayama D24/186

(75) Inventor: **Masahiko Kitayama**, Mitaka (JP)

FOREIGN PATENT DOCUMENTS

(73) Assignees: **Kabushiki Kaisha Toshiba**, Tokyo (JP);
Toshiba Medical Systems Corporation,
Tochigi-ken (JP)

JP 1021583 9/1998
JP 1160053 12/2002

(**) Term: **14 Years**

* cited by examiner

(21) Appl. No.: **29/362,838**

Primary Examiner—T. Chase Nelson
Assistant Examiner—Mark Cavanna
(74) *Attorney, Agent, or Firm*—Banner & Witcoff, Ltd.

(22) Filed: **Jun. 1, 2010**

(57) **CLAIM**

(30) **Foreign Application Priority Data**

The ornamental design for a probe for an ultrasonic diagnosis apparatus, as shown and described.

Mar. 10, 2010 (JP) 2010-005811

(51) **LOC (9) Cl.** **24-02**

(52) **U.S. Cl.** **D24/187**

(58) **Field of Classification Search** D24/107,
D24/141, 158, 164, 165, 167, 170, 186–187,
D24/231; D10/57, 60, 78, 80; 600/407,
600/461, 459; 378/98.7, 98.8, 189

See application file for complete search history.

DESCRIPTION

FIG. 1 is a front, top and right side perspective view of a probe for an ultrasonic diagnosis apparatus, showing my new design;

FIG. 2 is a rear, bottom and right side perspective view thereof;

FIG. 3 is a front elevational view thereof;

FIG. 4 is a rear elevational view thereof;

FIG. 5 is a top plan view thereof;

FIG. 6 is a bottom plan view thereof;

FIG. 7 is a right side elevational view thereof; and,

FIG. 8 is a left side elevational view thereof.

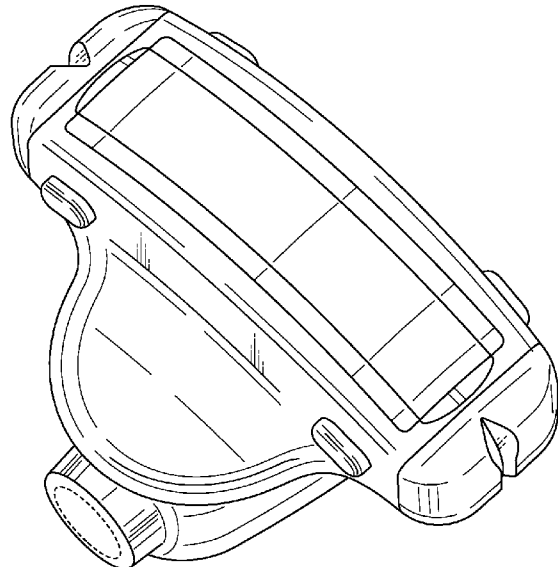
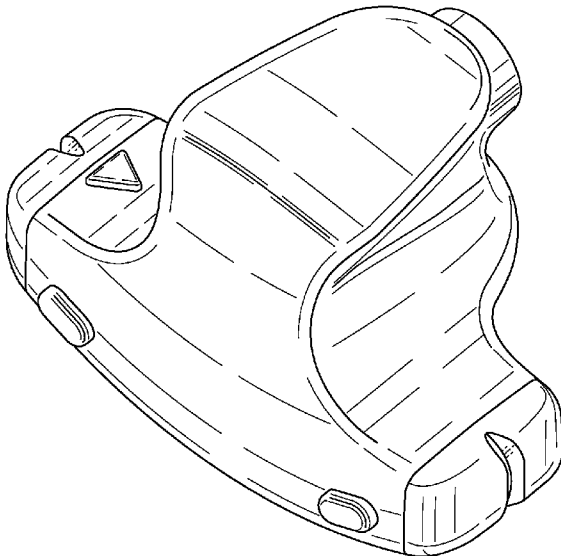
The broken lines shown are included for the purpose of illustrating a portion of the probe for an ultrasonic diagnosis apparatus that forms no part of the claimed design.

(56) **References Cited**

U.S. PATENT DOCUMENTS

D381,750 S * 7/1997 Sasady D24/187
D389,918 S * 1/1998 Ninomiya et al. D24/186
D392,044 S * 3/1998 Mesaros et al. D24/186
D412,580 S * 8/1999 Kellstedt et al. D24/187
D425,980 S * 5/2000 Last et al. D24/107
D462,446 S * 9/2002 Felix et al. D24/187
D467,002 S * 12/2002 Felix et al. D24/187
D547,871 S * 7/2007 Watson et al. D24/186
D550,365 S * 9/2007 Kitayama D24/186

1 Claim, 4 Drawing Sheets



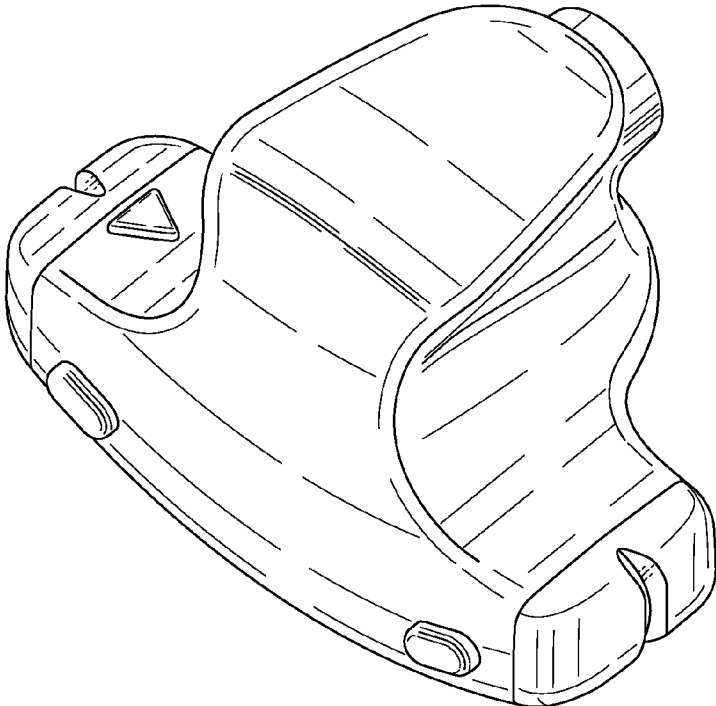


FIG.1

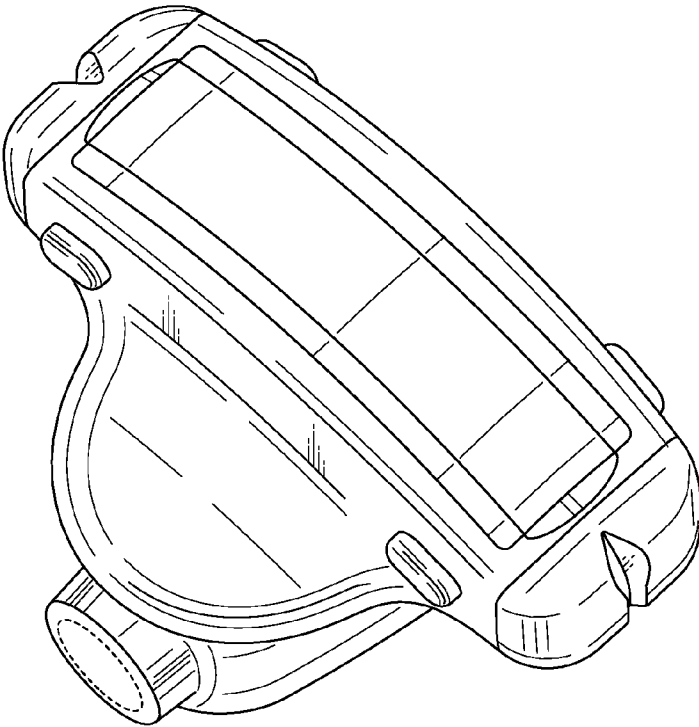


FIG.2

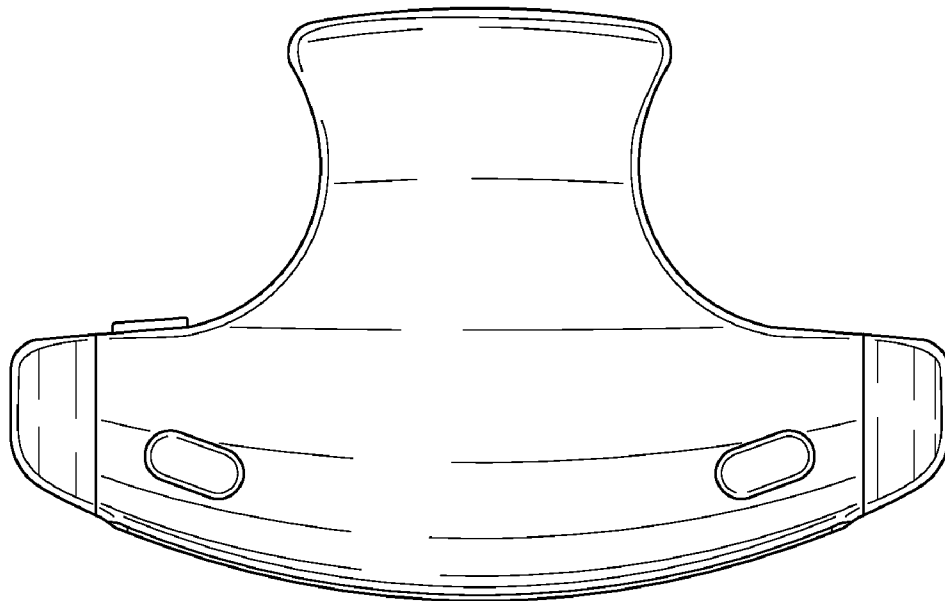


FIG.3

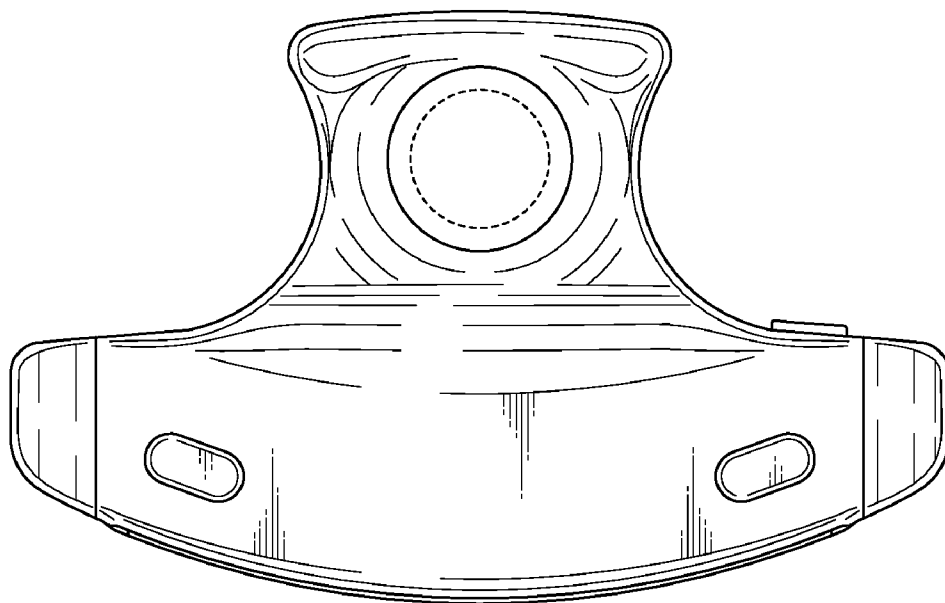


FIG.4

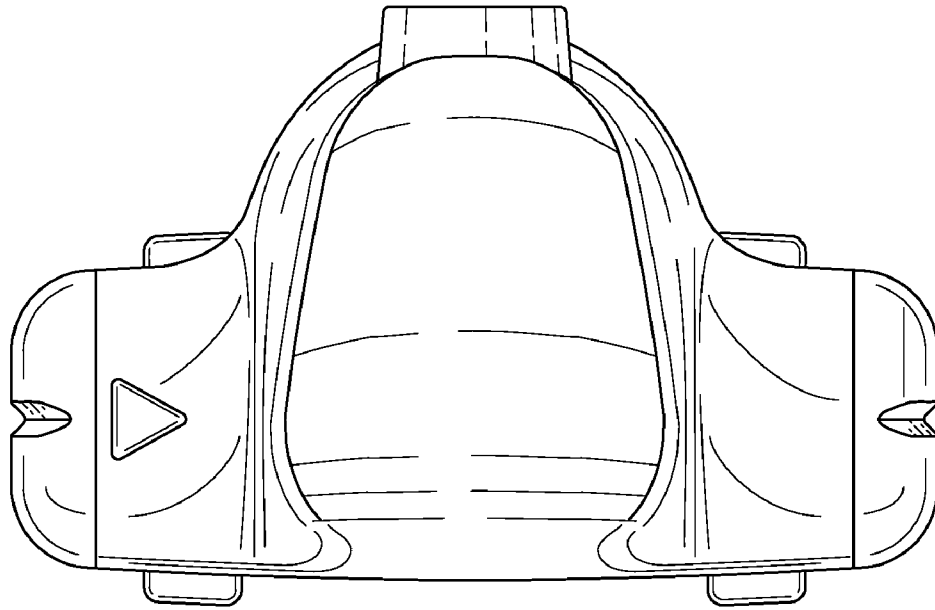


FIG.5

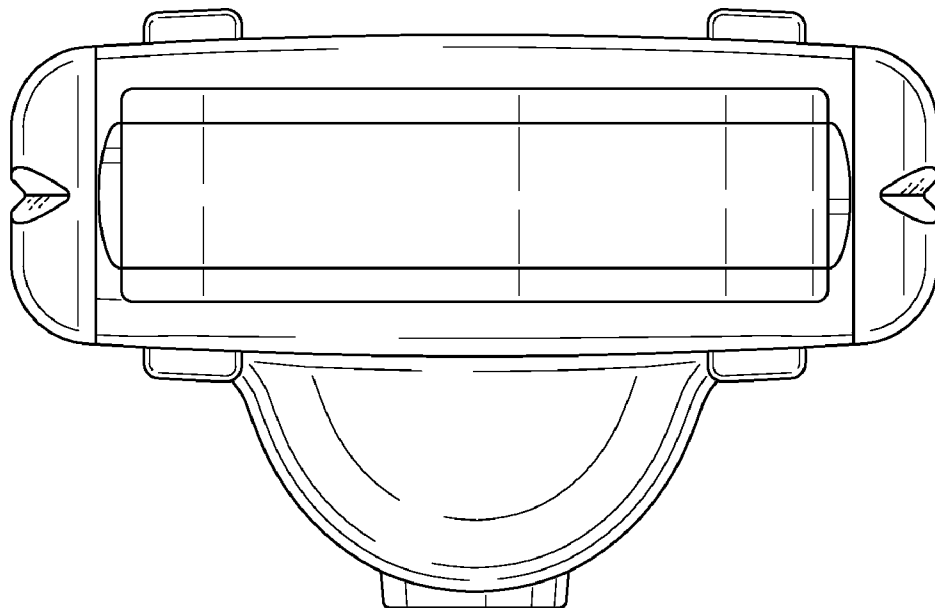


FIG.6

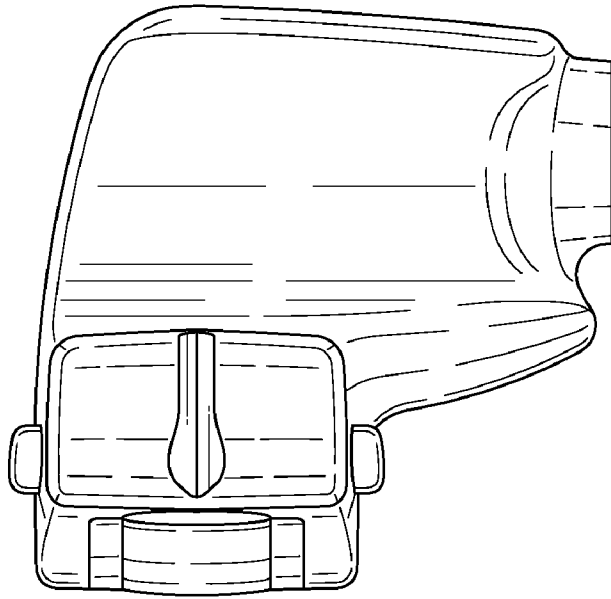


FIG.7

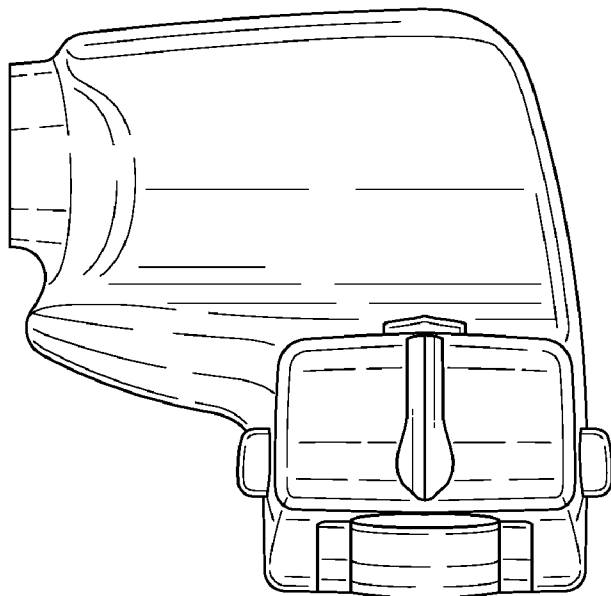


FIG.8