



US00D731851S

(12) **United States Design Patent**  
Yessin et al.

(10) **Patent No.:** US D731,851 S  
(45) **Date of Patent:** \*\* Jun. 16, 2015

- (54) **VENT FOR A FOOD CONTAINER**
- (71) Applicant: **Dart Industries Inc.**, Orlando, FL (US)
- (72) Inventors: **Julie L. Yessin**, Orlando, FL (US);  
**Jan-Hendrik de Groot**, Brussels (BE)
- (73) Assignee: **Dart Industries Inc.**, Orlando, FL (US)
- (\*\*) Term: **14 Years**
- (21) Appl. No.: **29/473,360**
- (22) Filed: **Nov. 21, 2013**

- D238,137 S 12/1975 Swett
- D256,310 S 8/1980 Daenen
- D257,107 S 9/1980 Daenen et al.
- D274,030 S 5/1984 Daenen et al.
- D276,400 S 11/1984 Daenen et al.
- D276,401 S 11/1984 Daenen et al.
- D276,402 S 11/1984 Daenen et al.
- D277,724 S 2/1985 Daenen et al.
- D279,251 S 6/1985 Daenen et al.
- D279,252 S 6/1985 Daenen et al.
- D279,253 S 6/1985 Daenen et al.
- D279,952 S 8/1985 Daenen et al.
- D280,058 S 8/1985 Carlson
- D280,281 S 8/1985 Conti et al.
- D280,484 S 9/1985 Conti et al.
- D282,808 S 3/1986 Daenen et al.
- D282,809 S 3/1986 Daenen et al.
- 4,787,527 A 11/1988 Monetti

**Related U.S. Application Data**

- (62) Division of application No. 29/421,568, filed on Aug. 16, 2012, now Pat. No. Des. 698,199.
- (51) **LOC (10) Cl.** ..... **07-02**
- (52) **U.S. Cl.**
- USPC ..... **D7/391; D7/392.1**
- (58) **Field of Classification Search**
- USPC ..... D7/391, 392, 392.1, 393, 397, 629;  
D9/414, 420, 424-432, 435, 451-452;  
206/508, 815, 816; 220/212, 212.5,  
220/213, 215, 227, 345.1, 360, 366.1,  
220/367.1, 368, 780-806
- CPC ..... A47J 36/027; A47J 36/06; A47J 37/10;  
A47J 37/101; B65D 21/0209; B65D 43/00;  
B65D 43/02; B65D 43/022; B65D 43/161;  
B65D 43/162; B65D 45/00; B65D 45/16;  
B65D 45/18; B65D 51/16; B65D 51/1683;  
B65D 51/1688; B65D 51/1694; B65F 1/1615
- See application file for complete search history.

(56) **References Cited**

**U.S. PATENT DOCUMENTS**

- D175,202 S 7/1955 Tupper
- 2,780,385 A 2/1957 Tupper

(Continued)

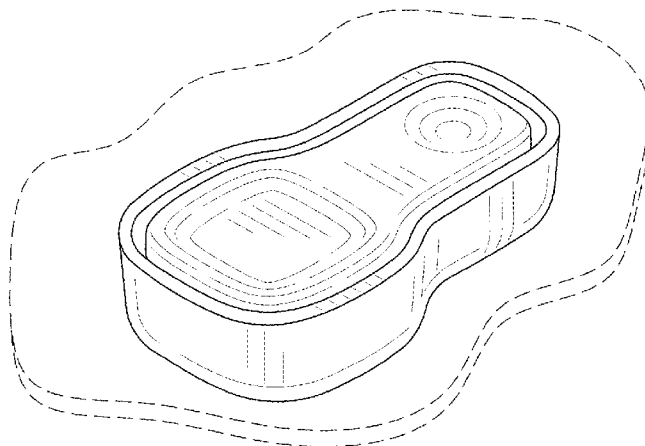
*Primary Examiner* — Ricky Pham  
(74) *Attorney, Agent, or Firm* — Taylor J. Ross

(57) **CLAIM**  
The ornamental design for a vent for a food container, as shown and described.

**DESCRIPTION**

FIG. 1 is a top, side and front perspective view of a vent for a food container showing our new design; FIG. 2 is a bottom, side and front perspective view thereof; FIG. 3 is a top plan view thereof; FIG. 4 is a bottom plan view thereof; FIG. 5 is a right side elevation view, the left side being a mirror image thereof; FIG. 6 is a front elevation view thereof; FIG. 7 is a rear elevation view thereof; and, FIG. 8 is a cross-sectional view along line 8-8 of FIG. 3. The broken lines shown in the drawings are for illustrative purposes only and form no part of the claimed design.

**1 Claim, 3 Drawing Sheets**



(56)

References Cited

U.S. PATENT DOCUMENTS

4,819,824 A	4/1989	Longbottom et al.	D496,272 S	9/2004	Jackson et al.	
D321,111 S	10/1991	Wolff	D502,394 S	3/2005	Jackson et al.	
D350,880 S	9/1994	VanValkenburg et al.	D521,380 S	5/2006	Jackson et al.	
D351,090 S	10/1994	Narsutis	D523,344 S	6/2006	Toth et al.	
D353,744 S	12/1994	Ferris et al.	D537,724 S	3/2007	Toth et al.	
D371,053 S	6/1996	Lillelund et al.	D541,598 S	5/2007	Kim	
D372,401 S	8/1996	Lillelund et al.	D544,762 S *	6/2007	Zimmerman .....	D7/629
D389,012 S	1/1998	Miller	D551,515 S	9/2007	Ablo et al.	
D414,650 S	10/1999	Lillelund et al.	D557,993 S	12/2007	Stamper et al.	
D416,170 S	11/1999	Stucke, Jr. et al.	D562,624 S	2/2008	Kortleven	
D417,817 S	12/1999	Loew et al.	D592,915 S	5/2009	Olivari	
D418,716 S	1/2000	Haley	D596,024 S	7/2009	Fraguada McCoy et al.	
D418,720 S	1/2000	Lillelund et al.	D609,092 S	2/2010	Laib et al.	
D419,371 S	1/2000	Haley	D611,807 S	3/2010	Miga, Jr.	
D420,252 S	2/2000	Loew et al.	D618,516 S	6/2010	DiPietro et al.	
D420,548 S	2/2000	Loew et al.	D630,898 S	1/2011	de Groote	
D425,363 S	5/2000	Loew et al.	D641,164 S	7/2011	Cornu et al.	
D429,970 S	8/2000	Liu	D644,892 S	9/2011	Stamper et al.	
6,170,696 B1	1/2001	Tucker et al.	D652,672 S	1/2012	Easton	
D439,159 S	3/2001	Chen	D673,807 S *	1/2013	Grider et al. ....	D7/391
D440,470 S	4/2001	Tucker et al.	D673,808 S *	1/2013	Grider et al. ....	D7/391
D445,649 S	7/2001	Maxwell et al.	D676,285 S *	2/2013	Shirley et al. ....	D7/629
D465,969 S *	11/2002	Morin .....	D677,996 S *	3/2013	Shirley et al. ....	D7/629
D466,364 S	12/2002	Demore	D684,814 S *	6/2013	Shirley et al. ....	D7/392
D469,689 S	2/2003	Buchalski et al.	D686,450 S *	7/2013	Yessin et al. ....	D7/392.1
D479,954 S *	9/2003	Kim .....	D698,199 S *	1/2014	Yessin et al. ....	D7/392.1
D489,975 S	5/2004	Jackson et al.	D700,482 S *	3/2014	Yessin et al. ....	D7/629
			D703,996 S *	5/2014	Shirley et al. ....	D7/391
			2003/0116572 A1 *	6/2003	Klock et al. ....	220/367.1
			2008/0203092 A1	8/2008	Stamper et al.	

\* cited by examiner

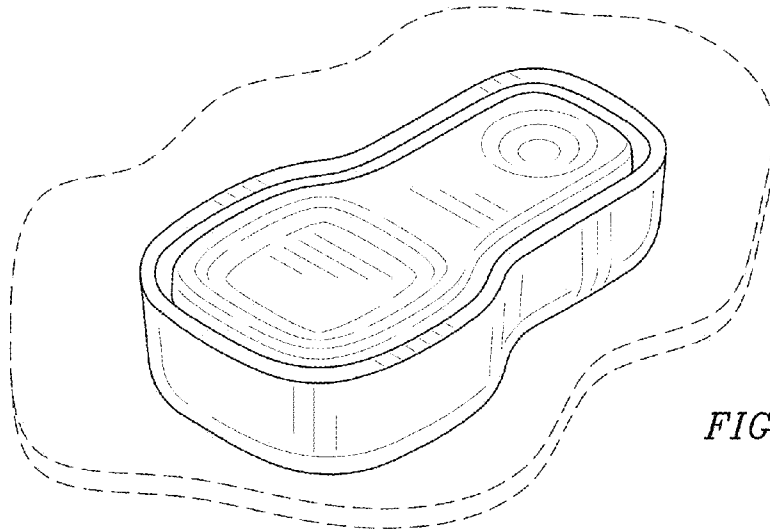


FIG. 1

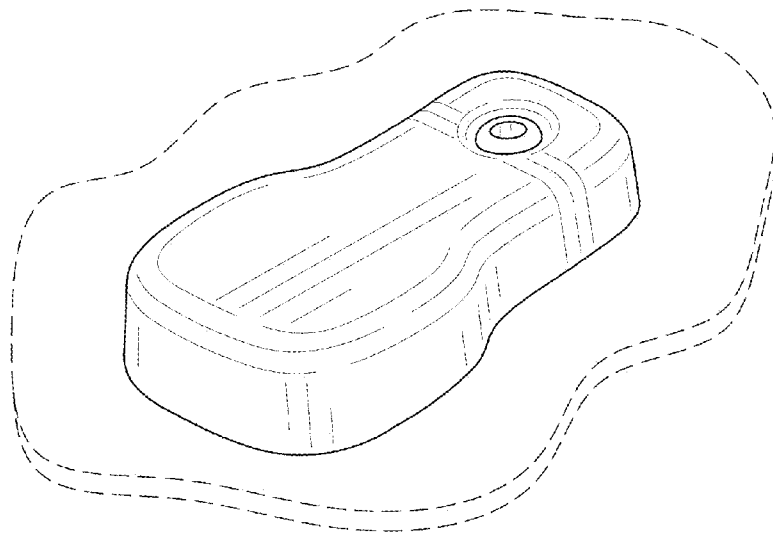


FIG. 2

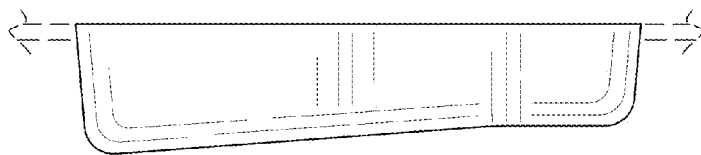


FIG. 5

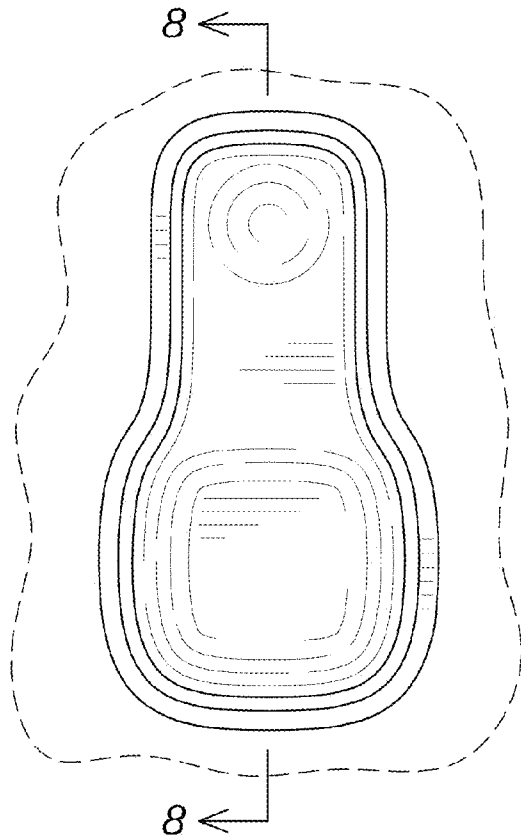


FIG. 3

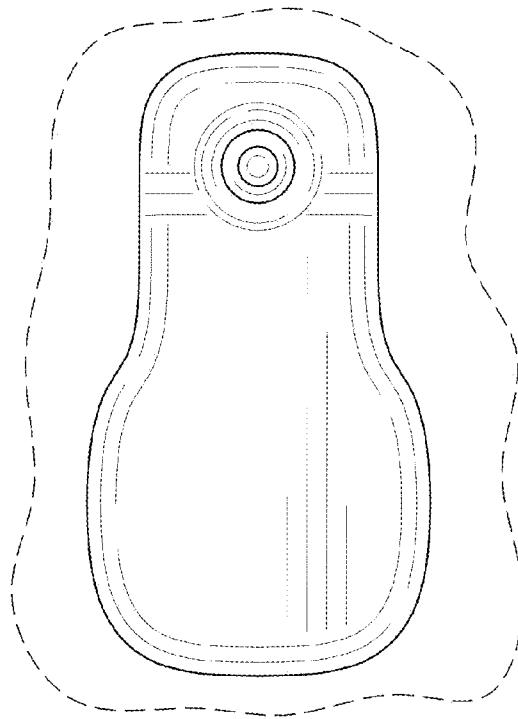


FIG. 4

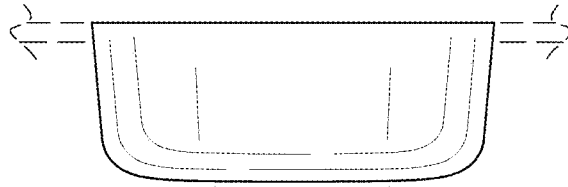


FIG. 6

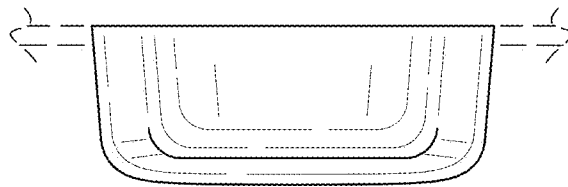


FIG. 7

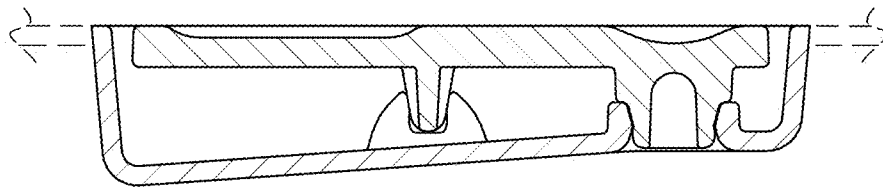


FIG. 8