



- (51) International Patent Classification:  
E04H 4/14 (2006.01) E04H 4/00 (2006.01)
- (21) International Application Number:  
PCT/BE2015/000070
- (22) International Filing Date:  
23 December 2015 (23.12.2015)
- (25) Filing Language: Dutch
- (26) Publication Language: English
- (30) Priority Data:  
2014/0855 24 December 2014 (24.12.2014) BE
- (71) Applicant: ARTABEL ENGINEERING BVBA  
[BE/BE]; Geldenaaksebaan 329, 3001 Heverlee (BE).
- (72) Inventor: DE WIT, Jan Luc G; Pleinstraat 68, 3001 Heverlee (BE).
- (74) Agent: OFFICE KIRKPATRICK SA; Avenue Wolfers 32, 1310 La Hulpe (BE).

- (81) Designated States (unless otherwise indicated, for every kind of national protection available): AE, AG, AL, AM, AO, AT, AU, AZ, BA, BB, BG, BH, BN, BR, BW, BY, BZ, CA, CH, CL, CN, CO, CR, CU, CZ, DE, DK, DM, DO, DZ, EC, EE, EG, ES, FI, GB, GD, GE, GH, GM, GT, HN, HR, HU, ID, IL, IN, IR, IS, JP, KE, KG, KN, KP, KR, KZ, LA, LC, LK, LR, LS, LU, LY, MA, MD, ME, MG, MK, MN, MW, MX, MY, MZ, NA, NG, NI, NO, NZ, OM, PA, PE, PG, PH, PL, PT, QA, RO, RS, RU, RW, SA, SC, SD, SE, SG, SK, SL, SM, ST, SV, SY, TH, TJ, TM, TN, TR, TT, TZ, UA, UG, US, UZ, VC, VN, ZA, ZM, ZW.
- (84) Designated States (unless otherwise indicated, for every kind of regional protection available): ARIPO (BW, GH, GM, KE, LR, LS, MW, MZ, NA, RW, SD, SL, ST, SZ, TZ, UG, ZM, ZW), Eurasian (AM, AZ, BY, KG, KZ, RU, TJ, TM), European (AL, AT, BE, BG, CH, CY, CZ, DE, DK, EE, ES, FI, FR, GB, GR, HR, HU, IE, IS, IT, LT, LU, LV, MC, MK, MT, NL, NO, PL, PT, RO, RS, SE, SI, SK, SM, TR), OAPI (BF, BJ, CF, CG, CI, CM, GA, GN, GQ, GW, KM, ML, MR, NE, SN, TD, TG).

[Continued on next page]

(54) Title: SWIMMINGPOOL

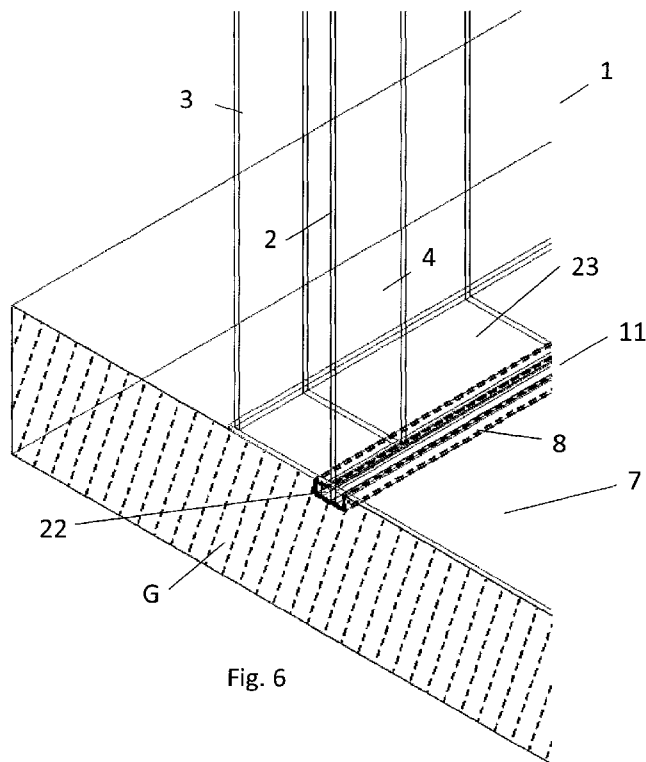


Fig. 6

(57) Abstract: Swimming pool comprising an upstanding side wall of plastic, wherein the plastic side wall is slidably arranged with respect to an underlying building structure.





**Published:**

**(88) Date of publication of the international search report:**

- *with international search report (Art. 21(3))*
- *before the expiration of the time limit for amending the claims and to be republished in the event of receipt of amendments (Rule 48.2(h))*

3 November 2016

**INTERNATIONAL SEARCH REPORT**

International application No  
PCT/BE2015/000070

**A. CLASSIFICATION OF SUBJECT MATTER**  
 INV. E04H4/14  
 ADD. E04H4/00

According to International Patent Classification (IPC) or to both national classification and IPC

**B. FIELDS SEARCHED**

Minimum documentation searched (classification system followed by classification symbols)  
 E04H

Documentation searched other than minimum documentation to the extent that such documents are included in the fields searched

Electronic data base consulted during the international search (name of data base and, where practicable, search terms used)  
 EPO-Internal

**C. DOCUMENTS CONSIDERED TO BE RELEVANT**

Category*	Citation of document, with indication, where appropriate, of the relevant passages	Relevant to claim No.
X	FR 2 573 116 A1 (BACH PHILIPPE [FR]) 16 May 1986 (1986-05-16) page 3, line 15 - page 4, line 24; claims 1,6,7; figures 1-3	1,3, 11-13
X	US 3 974 605 A (BEATTY GORDON WESLEY ET AL) 17 August 1976 (1976-08-17) column 4, line 1 - column 5, line 64; figures 1,2,5	1,2,11, 13
X	DE 10 2010 037171 A1 (EHMKE MANFRED [DE]) 3 March 2011 (2011-03-03) page 3, right-hand column, paragraph 27 - page 4, left-hand column, paragraph 32; figures 1-4	1,9,10, 13
	----- -/--	

Further documents are listed in the continuation of Box C.

See patent family annex.

\* Special categories of cited documents :

<p>"A" document defining the general state of the art which is not considered to be of particular relevance</p> <p>"E" earlier application or patent but published on or after the international filing date</p> <p>"L" document which may throw doubts on priority claim(s) or which is cited to establish the publication date of another citation or other special reason (as specified)</p> <p>"O" document referring to an oral disclosure, use, exhibition or other means</p> <p>"P" document published prior to the international filing date but later than the priority date claimed</p>	<p>"T" later document published after the international filing date or priority date and not in conflict with the application but cited to understand the principle or theory underlying the invention</p> <p>"X" document of particular relevance; the claimed invention cannot be considered novel or cannot be considered to involve an inventive step when the document is taken alone</p> <p>"Y" document of particular relevance; the claimed invention cannot be considered to involve an inventive step when the document is combined with one or more other such documents, such combination being obvious to a person skilled in the art</p> <p>"&amp;" document member of the same patent family</p>
---------------------------------------------------------------------------------------------------------------------------------------------------------------------------------------------------------------------------------------------------------------------------------------------------------------------------------------------------------------------------------------------------------------------------------------------------------------------------------------------------------------------------------------------------------------------------------------------------	-----------------------------------------------------------------------------------------------------------------------------------------------------------------------------------------------------------------------------------------------------------------------------------------------------------------------------------------------------------------------------------------------------------------------------------------------------------------------------------------------------------------------------------------------------------------------------------------------------------------------------------------------------------------------------------------------------------------

Date of the actual completion of the international search  9 September 2016	Date of mailing of the international search report  22/09/2016
-----------------------------------------------------------------------------------	----------------------------------------------------------------------

Name and mailing address of the ISA/ European Patent Office, P.B. 5818 Patentlaan 2 NL - 2280 HV Rijswijk Tel. (+31-70) 340-2040, Fax: (+31-70) 340-3016	Authorized officer  Stefanescu, Radu
----------------------------------------------------------------------------------------------------------------------------------------------------------------------	--------------------------------------------

## INTERNATIONAL SEARCH REPORT

International application No  
PCT/BE2015/000070

C(Continuation). DOCUMENTS CONSIDERED TO BE RELEVANT		
Category*	Citation of document, with indication, where appropriate, of the relevant passages	Relevant to claim No.
X A	DE 94 04 092 U1 (PIONIER TECHNIK SPORT UND FREI [DE]) 18 August 1994 (1994-08-18) page 2, line 5 - line 11 page 5, line 36 - page 8, line 15; figures 1,2,4 -----	1,10,11, 13 12

# INTERNATIONAL SEARCH REPORT

Information on patent family members

International application No

PCT/BE2015/000070

Patent document cited in search report	Publication date	Patent family member(s)	Publication date
FR 2573116	A1	16-05-1986	NONE
-----			
US 3974605	A	17-08-1976	NONE
-----			
DE 102010037171	A1	03-03-2011	NONE
-----			
DE 9404092	U1	18-08-1994	AT 1205 U1 27-12-1996
			DE 9404092 U1 18-08-1994
			FR 2717206 A3 15-09-1995
-----			