



- (51) **International Patent Classification:**
F16N 21/02 (2006.01) E21B 33/068 (2006.01)
- (21) **International Application Number:**
PCT/US2015/022000
- (22) **International Filing Date:**
23 March 2015 (23.03.2015)
- (25) **Filing Language:** English
- (26) **Publication Language:** English
- (30) **Priority Data:**
61/968,910 21 March 2014 (21.03.2014) US
- (71) **Applicant:** PARKER-HANNIFIN CORPORATION [US/US]; 6035 Parkland Boulevard, Cleveland, Ohio 44124 (US).
- (72) **Inventors:** CRUICKSHANK, Brian W.; 14 Crested Cloud Court, Spring, Texas 77380 (US). PAREKH, Harsh Rajnikant; 16539 Mesa Point Drive, Houston, Texas 77905 (US). GONZALEZ, Miguel A.; 8222 Gulf Tree Lane, Houston, Texas 77075 (US).
- (74) **Agent:** BAKER, Brian M.; Renner, Otto, Boisselle & Sklar, LLP, 1621 Euclid Avenue, 19th Floor, Cleveland, Ohio 44115 (US).
- (81) **Designated States** (unless otherwise indicated, for every kind of national protection available): AE, AG, AL, AM,

AO, AT, AU, AZ, BA, BB, BG, BH, BN, BR, BW, BY, BZ, CA, CH, CL, CN, CO, CR, CU, CZ, DE, DK, DM, DO, DZ, EC, EE, EG, ES, FI, GB, GD, GE, GH, GM, GT, HN, HR, HU, ID, IL, IN, IR, IS, JP, KE, KG, KN, KP, KR, KZ, LA, LC, LK, LR, LS, LU, LY, MA, MD, ME, MG, MK, MN, MW, MX, MY, MZ, NA, NG, NI, NO, NZ, OM, PA, PE, PG, PH, PL, PT, QA, RO, RS, RU, RW, SA, SC, SD, SE, SG, SK, SL, SM, ST, SV, SY, TH, TJ, TM, TN, TR, TT, TZ, UA, UG, US, UZ, VC, VN, ZA, ZM, ZW.

- (84) **Designated States** (unless otherwise indicated, for every kind of regional protection available): ARIPO (BW, GH, GM, KE, LR, LS, MW, MZ, NA, RW, SD, SL, ST, SZ, TZ, UG, ZM, ZW), Eurasian (AM, AZ, BY, KG, KZ, RU, TJ, TM), European (AL, AT, BE, BG, CH, CY, CZ, DE, DK, EE, ES, FI, FR, GB, GR, HR, HU, IE, IS, IT, LT, LU, LV, MC, MK, MT, NL, NO, PL, PT, RO, RS, SE, SI, SK, SM, TR), OAPI (BF, BJ, CF, CG, CI, CM, GA, GN, GQ, GW, KM, ML, MR, NE, SN, TD, TG).

Published:

- with international search report (Art. 21(3))
- before the expiration of the time limit for amending the claims and to be republished in the event of receipt of amendments (Rule 48.2(h))

- (88) **Date of publication of the international search report:**
12 November 2015

(54) **Title:** LUBRICATION/BLEEDER FITTING

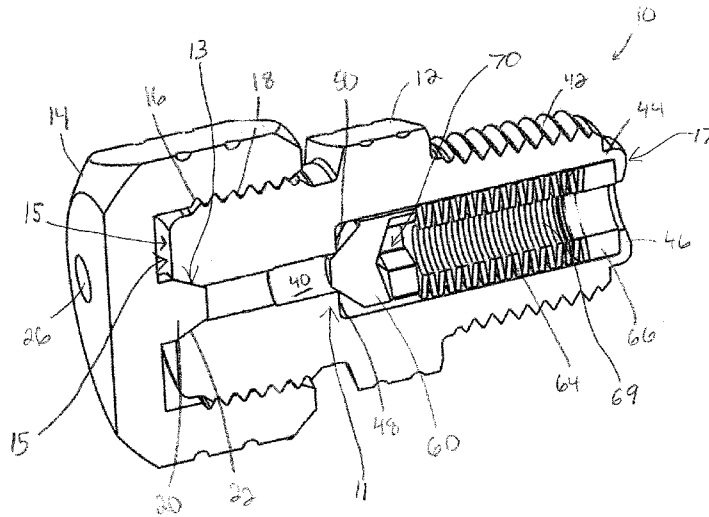
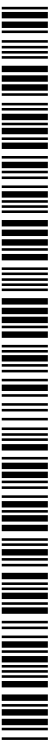


FIG. 3

(57) **Abstract:** A lubrication/bleeder fitting (10) is provided including a cap (14), a body (12) having a first end (15) coupled to the cap, a second end (17) opposite the first end, and an axially extending cavity (40) extending between the first and second ends. The fitting also includes a poppet seat (50) in the axially extending cavity and a poppet (60) disposed in the axially extending cavity and having a nose portion to seat against the poppet seat. A resilient member (64) is disposed in the axially extending cavity between the poppet and the second end, and a spacer (66) is disposed in the axially extending cavity and seating an end of the resilient member opposite the poppet. The poppet is biased in a first position against the poppet seat by the resilient member to prevent fluid flow through the axially extending cavity.



INTERNATIONAL SEARCH REPORT

International application No
PCT/US2015/022000

A. CLASSIFICATION OF SUBJECT MATTER
 INV. F16N21/02 E21B33/068
 ADD.

According to International Patent Classification (IPC) or to both national classification and IPC

B. FIELDS SEARCHED

Minimum documentation searched (classification system followed by classification symbols)
 F16N F01M E21B

Documentation searched other than minimum documentation to the extent that such documents are included in the fields searched

Electronic data base consulted during the international search (name of data base and, where practicable, search terms used)
 EPO-Internal

C. DOCUMENTS CONSIDERED TO BE RELEVANT

Category*	Citation of document, with indication, where appropriate, of the relevant passages	Relevant to claim No.
X	US 2014/026986 A1 (ZHANG GEOFFREY R [US] ET AL) 30 January 2014 (2014-01-30)	1-4,9,11
Y	paragraphs [0001] - [0008], [0011] - [0029]; figures	5-8,10,12-26
Y	----- US 2002/017384 A1 (OSTOCKE HUGH D [DK] ET AL) 14 February 2002 (2002-02-14) paragraphs [0001], [0002], [0015] - [0026]; figures	5-8,12-26
Y	----- US 3 605 948 A (WYNN ROBERT O) 20 September 1971 (1971-09-20) the whole document	10

Further documents are listed in the continuation of Box C.

See patent family annex.

* Special categories of cited documents :

- "A" document defining the general state of the art which is not considered to be of particular relevance
- "E" earlier application or patent but published on or after the international filing date
- "L" document which may throw doubts on priority claim(s) or which is cited to establish the publication date of another citation or other special reason (as specified)
- "O" document referring to an oral disclosure, use, exhibition or other means
- "P" document published prior to the international filing date but later than the priority date claimed

- "T" later document published after the international filing date or priority date and not in conflict with the application but cited to understand the principle or theory underlying the invention
- "X" document of particular relevance; the claimed invention cannot be considered novel or cannot be considered to involve an inventive step when the document is taken alone
- "Y" document of particular relevance; the claimed invention cannot be considered to involve an inventive step when the document is combined with one or more other such documents, such combination being obvious to a person skilled in the art
- "&" document member of the same patent family

Date of the actual completion of the international search

Date of mailing of the international search report

21 September 2015

30/09/2015

Name and mailing address of the ISA/
 European Patent Office, P.B. 5818 Patentlaan 2
 NL - 2280 HV Rijswijk
 Tel. (+31-70) 340-2040,
 Fax: (+31-70) 340-3016

Authorized officer

Dekker, Derk

INTERNATIONAL SEARCH REPORT

Information on patent family members

International application No

PCT/US2015/022000

Patent document cited in search report	Publication date	Patent family member(s)	Publication date
US 2014026986	A1	30-01-2014	NONE

US 2002017384	A1	14-02-2002	GB 2351103 A 20-12-2000
			NO 20013423 A 14-01-2002
			SG 91932 A1 15-10-2002
			US 2002017384 A1 14-02-2002

US 3605948	A	20-09-1971	NONE
