



(51) International Patent Classification:

A61F 2/66 (2006.01)

(21) International Application Number:

PCT/IB20 17/0570 10

(22) International Filing Date:

09 November 2017 (09.11.2017)

(25) Filing Language:

Italian

(26) Publication Language:

English

(30) Priority Data:

1020160001 12979 09 November 2016 (09.11.2016) IT

(71) Applicant: SUISSE CREATIVE ENGINEERING SA

[CH/CH]; Via Porta, 2, 6830 Chiasso (CH).

(72) Inventors: CASCINI, Antonio; Via Duca Degli Abruzzi,

13/5, 20871 Vimercate (MB) (IT). PIROVANO, Giacomo;

Via Carducci, 32, 20842 Besana Brianza (MB) (IT). RIG-

AMONTI, Luigi; Via A. e O. Torricelli, 39A, 6900 Lugano

(CH). RIGAMONTI, Matteo Mattia; Piazza Concordia,

18, 20831 Seregno (MB) (IT).

(74) Agent: RONCUZZI, Davide; Via Antica Zecca, 6, 48121

Ravenna (IT).

(81) Designated States (unless otherwise indicated, for every

kind of national protection available): AE, AG, AL, AM, AO, AT, AU, AZ, BA, BB, BG, BH, BN, BR, BW, BY, BZ, CA, CH, CL, CN, CO, CR, CU, CZ, DE, DJ, DK, DM, DO, DZ, EC, EE, EG, ES, FI, GB, GD, GE, GH, GM, GT, HN, HR, HU, ID, IL, IN, IR, IS, JO, JP, KE, KG, KH, KN, KP, KR, KW, KZ, LA, LC, LK, LR, LS, LU, LY, MA, MD, ME, MG, MK, MN, MW, MX, MY, MZ, NA, NG, NI, NO, NZ, OM, PA, PE, PG, PH, PL, PT, QA, RO, RS, RU, RW, SA, SC, SD, SE, SG, SK, SL, SM, ST, SV, SY, TH, TJ, TM, TN, TR, TT, TZ, UA, UG, US, UZ, VC, VN, ZA, ZM, ZW.

(84) Designated States (unless otherwise indicated, for every

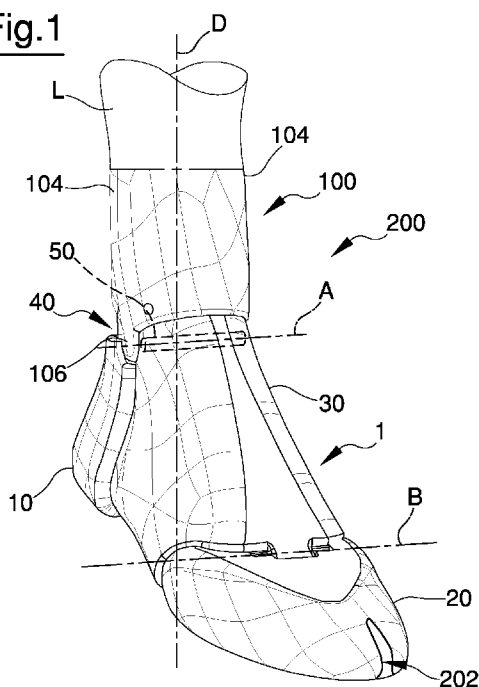
kind of regional protection available): ARIPO (BW, GH, GM, KE, LR, LS, MW, MZ, NA, RW, SD, SL, ST, SZ, TZ, UG, ZM, ZW), Eurasian (AM, AZ, BY, KG, KZ, RU, TJ, TM), European (AL, AT, BE, BG, CH, CY, CZ, DE, DK, EE, ES, FI, FR, GB, GR, HR, HU, IE, IS, IT, LT, LU, LV, MC, MK, MT, NL, NO, PL, PT, RO, RS, SE, SI, SK, SM, TR), OAPI (BF, BJ, CF, CG, CI, CM, GA, GN, GQ, GW, KM, ML, MR, NE, SN, TD, TG).

Declarations under Rule 4.17:

— of inventorship (Rule 4.17(iv))

(54) Title: ARTIFICIAL LIMB

Fig.1



(57) Abstract: End (1) for an anthropomorphic leg (L) extending along a given direction (D) comprising a foot (1) and an ankle (100); the foot (1) having a first end portion (10) shaped similarly to a heel, a second end portion (20) shaped similarly to a metatarsus, and a median portion (30) arranged between the first end portion (10) and the second end portion (20); the first portion (10) and the median portion (30) being distinct from each other and hinged around an axis (A) transverse to the given direction (D).



WO 2018/087691 A3

Published:

- *with international search report (Art. 21(3))*
- *before the expiration of the time limit for amending the claims and to be republished in the event of receipt of amendments (Rule 48.2(h))*

(88) Date of publication of the international search report:

28 June 2018 (28.06.2018)

INTERNATIONAL SEARCH REPORT

International application No
PCT/IB2017/057010

A. CLASSIFICATION OF SUBJECT MATTER
INV. A61F2/66
 ADD.
 According to International Patent Classification (IPC) or to both national classification and IPC

B. FIELDS SEARCHED
 Minimum documentation searched (classification system followed by classification symbols)
A61F

Documentation searched other than minimum documentation to the extent that such documents are included in the fields searched

Electronic data base consulted during the international search (name of data base and, where practicable, search terms used)
EPO-Internal , WPI Data

C. DOCUMENTS CONSIDERED TO BE RELEVANT

Category*	Citation of document, with indication, where appropriate, of the relevant passages	Relevant to claim No.
A	US 2 475 372 A (CATRANIS JOHN G) 5 July 1949 (1949-07-05) the whole document -----	1-11 , 14, 15
A	US 468 352 A (LINKERT JOHN) 9 February 1892 (1892-02-09) the whole document -----	1-11

Further documents are listed in the continuation of Box C. See patent family annex.

* Special categories of cited documents :

"A" document defining the general state of the art which is not considered to be of particular relevance	"T" later document published after the international filing date or priority date and not in conflict with the application but cited to understand the principle or theory underlying the invention
"E" earlier application or patent but published on or after the international filing date	"X" document of particular relevance; the claimed invention cannot be considered novel or cannot be considered to involve an inventive step when the document is taken alone
"L" document which may throw doubts on priority claim(s) or which is cited to establish the publication date of another citation or other special reason (as specified)	"Y" document of particular relevance; the claimed invention cannot be considered to involve an inventive step when the document is combined with one or more other such documents, such combination being obvious to a person skilled in the art
"O" document referring to an oral disclosure, use, exhibition or other means	"&" document member of the same patent family
"P" document published prior to the international filing date but later than the priority date claimed	

Date of the actual completion of the international search 23 February 2018	Date of mailing of the international search report 09/05/2018
--	---

Name and mailing address of the ISA/ European Patent Office, P.B. 5818 Patentlaan 2 NL - 2280 HV Rijswijk Tel. (+31-70) 340-2040, Fax: (+31-70) 340-3016	Authorized officer Li ckel , Andreas
--	--

INTERNATIONAL SEARCH REPORT

International application No.
PCT/IB2017/057010

Box No. II Observations where certain claims were found unsearchable (Continuation of item 2 of first sheet)

This international search report has not been established in respect of certain claims under Article 17(2)(a) for the following reasons:

1. Claims Nos.:
because they relate to subject matter not required to be searched by this Authority, namely:

2. Claims Nos.:
because they relate to parts of the international application that do not comply with the prescribed requirements to such an extent that no meaningful international search can be carried out, specifically:

3. Claims Nos.:
because they are dependent claims and are not drafted in accordance with the second and third sentences of Rule 6.4(a).

Box No. III Observations where unity of invention is lacking (Continuation of item 3 of first sheet)

This International Searching Authority found multiple inventions in this international application, as follows:

see additional sheet

1. As all required additional search fees were timely paid by the applicant, this international search report covers all searchable claims.

2. As all searchable claims could be searched without effort justifying an additional fees, this Authority did not invite payment of additional fees.

3. As only some of the required additional search fees were timely paid by the applicant, this international search report covers only those claims for which fees were paid, specifically claims Nos. :

4. No required additional search fees were timely paid by the applicant. Consequently, this international search report is restricted to the invention first mentioned in the claims; it is covered by claims Nos. :

I-II (completely) ; 14, 15 (partially)

Remark on Protest

- The additional search fees were accompanied by the applicant's protest and, where applicable, the payment of a protest fee.
- The additional search fees were accompanied by the applicant's protest but the applicable protest fee was not paid within the time limit specified in the invitation.
- No protest accompanied the payment of additional search fees.

FURTHER INFORMATION CONTINUED FROM PCT/ISA/ 210

This International Searching Authority found multiple (groups of) inventions in this international application, as follows:

1. claims: I-II (completely) ; 14, 15 (partially)

Foot for an anthropomorphic leg extending along a given direction; said foot having a first end portion shaped similarly to a heel, a second end portion shaped similarly to a metatarsus, and a median portion arranged between said first end portion and said second end portion; said first portion and said median portion are distinct from each other and are hinged by means of articulated means around an axis transverse to said given direction; wherein the articulation means comprise a first pivot pin coaxial with said axis and wherein said pin is positioned in an upper portion of said first and said median portion;

an end of an anthropomorphic leg comprising such a foot; and
an anthropomorphic dummy comprising such an end.

2. claims: 12, 13 (completely) ; 14, 15 (partially)

Ankle for an anthropomorphic leg extending along a given direction, said ankle having a hollow portion having respective flanks, each of which is provided with a projection provided with a cavity transverse to said given direction, said two cavities being coaxial with each other so as to be suitable to house said first pin of an artificial foot;

an end of an anthropomorphic leg comprising such an ankle;
and
an anthropomorphic dummy comprising such an end.

INTERNATIONAL SEARCH REPORT

Information on patent family members

International application No

PCT/IB2017/057010

Patent document cited in search report	Publication date	Patent family member(s)	Publication date
US 2475372	A	NONE	05-07-1949

US 468352	A	NONE	09-02-1892
