



US00D640227S

(12) **United States Design Patent**  
**Wada**

(10) **Patent No.:** **US D640,227 S**

(45) **Date of Patent:** **\*\* \*Jun. 21, 2011**

(54) **SPEAKERPHONE**

(75) Inventor: **Isao Wada**, Hamamatsu (JP)

(73) Assignee: **Yamaha Corporation**, Shizuoka (JP)

(\* ) Notice: This patent is subject to a terminal disclaimer.

(\*\*) Term: **14 Years**

(21) Appl. No.: **29/364,752**

(22) Filed: **Jun. 28, 2010**

**Related U.S. Application Data**

(63) Continuation of application No. 29/350,722, filed on Nov. 23, 2009, now Pat. No. Des. 620,916.

(30) **Foreign Application Priority Data**

Aug. 31, 2009 (JP) ..... 2009-019988

(51) **LOC (9) Cl.** ..... **14-03**

(52) **U.S. Cl.** ..... **D14/149**

(58) **Field of Classification Search** ..... D14/130,  
D14/140, 140.1, 140.8, 141.1, 141.3, 142,  
D14/149-151, 158-159, 168, 171-172, 188,  
D14/211, 214, 225-226, 240, 243, 251, 253,  
D14/299, 336, 215, 167, 210, 212; 379/387.01,  
379/388.02, 420.02, 447, 453, 434; 381/16;  
D13/107-108; D21/329, 331, 333, 517  
See application file for complete search history.

(56) **References Cited**

**U.S. PATENT DOCUMENTS**

450,378 A \* 4/1891 Robinson ..... 451/461  
D23,411 S \* 7/1894 Faber ..... D19/53  
D103,667 S 3/1937 Brogden  
2,671,917 A \* 3/1954 Martin et al. .... 15/104.002  
D249,650 S \* 9/1978 Schoenfeld ..... D10/6  
D269,719 S 7/1983 Tovey  
D285,071 S \* 8/1986 Pushelberg ..... D14/150

D292,580 S 11/1987 Wang  
D305,662 S \* 1/1990 Niebauer ..... D15/139  
D309,161 S 7/1990 Leung  
D312,423 S 11/1990 Orlinsky et al.  
5,009,896 A 4/1991 Becker  
D319,467 S 8/1991 Clowes  
5,044,840 A \* 9/1991 Fouquer et al. .... 407/114  
D321,187 S 10/1991 Yang  
5,105,906 A \* 4/1992 Wegner ..... 181/156  
D339,996 S 10/1993 Rattley  
D342,732 S 12/1993 Hinman et al.  
D344,276 S 2/1994 Markusson et al.

(Continued)

**OTHER PUBLICATIONS**

Full Duplex USB Conference SKYPE VoIP Speaker Phone for windows XP/VISTA SKYPE, <URL:http://www.uxcell.com/full-duplex-usb-conference-skype-speaker-phone-for-windows-xpvista-skype-p-29192.html>, retrieved from internet Nov. 21, 2010.\*

(Continued)

*Primary Examiner* — Rob Spear  
*Assistant Examiner* — Carla Wright  
(74) *Attorney, Agent, or Firm* — Sughrue Mion, PLLC

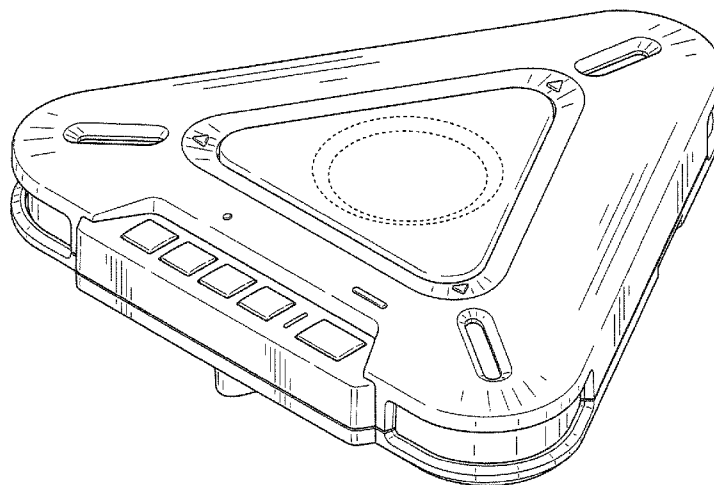
(57) **CLAIM**

The ornamental design for a speakerphone, as shown and described.

**DESCRIPTION**

FIG. 1 is a perspective view of the bottom, front, and right side of a speakerphone showing my new design;  
FIG. 2 is a front view of thereof;  
FIG. 3 is a rear view thereof;  
FIG. 4 is a left side view thereof;  
FIG. 5 is a right side view thereof;  
FIG. 6 is a top plan view thereof; and,  
FIG. 7 is a bottom view thereof.  
In the drawings, the broken lines depict unclaimed environment.

**1 Claim, 5 Drawing Sheets**



# US D640,227 S

Page 2

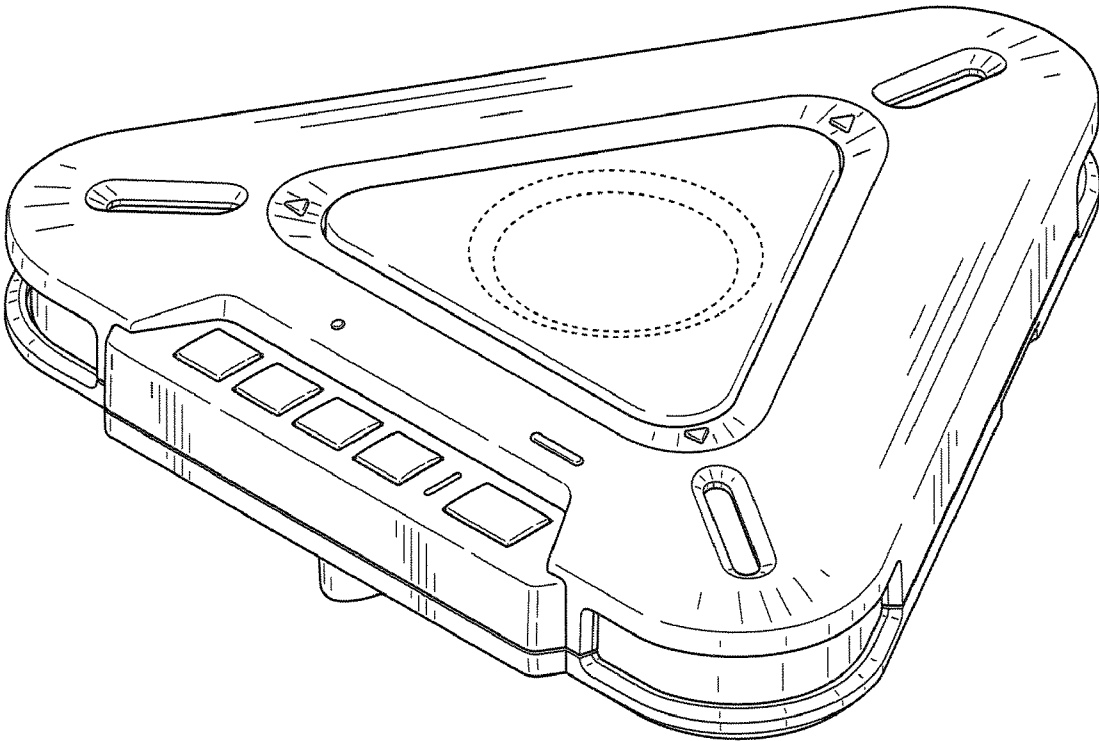
## U.S. PATENT DOCUMENTS

D349,300 S	8/1994	Lau	
D353,165 S	12/1994	LeMarr et al.	
D353,907 S	12/1994	Doria	
D357,685 S	4/1995	Reardon et al.	
D363,742 S	10/1995	Fitzsimmons	
D400,780 S *	11/1998	Wurdack .....	D8/374
D401,582 S *	11/1998	Gremchuck .....	D14/210
D403,328 S	12/1998	Wakefield	
D419,067 S *	1/2000	Guillin .....	D9/430
D419,701 S *	1/2000	Schifrin .....	D26/26
D420,585 S *	2/2000	Guillin .....	D9/430
D452,164 S *	12/2001	Buss .....	D10/14
D463,488 S	9/2002	Kramer et al.	
D473,546 S	4/2003	Hovanky et al.	
D491,909 S *	6/2004	Sun .....	D14/150
D502,468 S	3/2005	Knight et al.	
D532,780 S	11/2006	Proctor, Jr. et al.	
D540,485 S	4/2007	Waedeled	
D543,180 S	5/2007	Ra	
D562,385 S	2/2008	Camillo	
D570,410 S *	6/2008	Moro .....	D19/41
D594,438 S	6/2009	Wada	
D603,550 S	11/2009	Levine	
D616,738 S *	6/2010	Andre et al. ....	D9/430
D620,916 S *	8/2010	Wada .....	D14/149

## OTHER PUBLICATIONS

Yamaha PJP-25UR VoIP Speakerphone, <URL:[http://www.everythingusb.com/yamaha\\_pjp-25ur\\_usb\\_speakerphone\\_13582.html](http://www.everythingusb.com/yamaha_pjp-25ur_usb_speakerphone_13582.html)>, retrieved from internet Mar. 12, 2010.

\* cited by examiner



**FIG. 1**

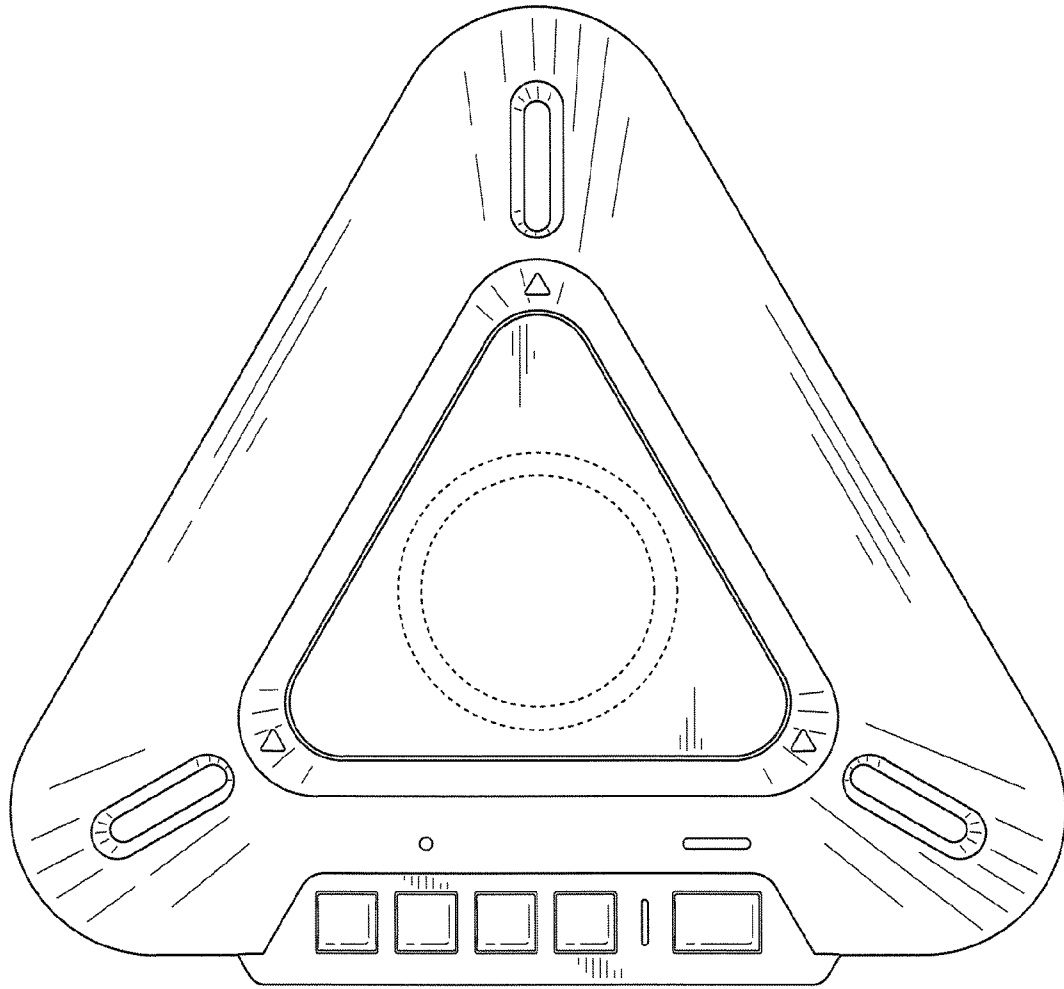


FIG. 2

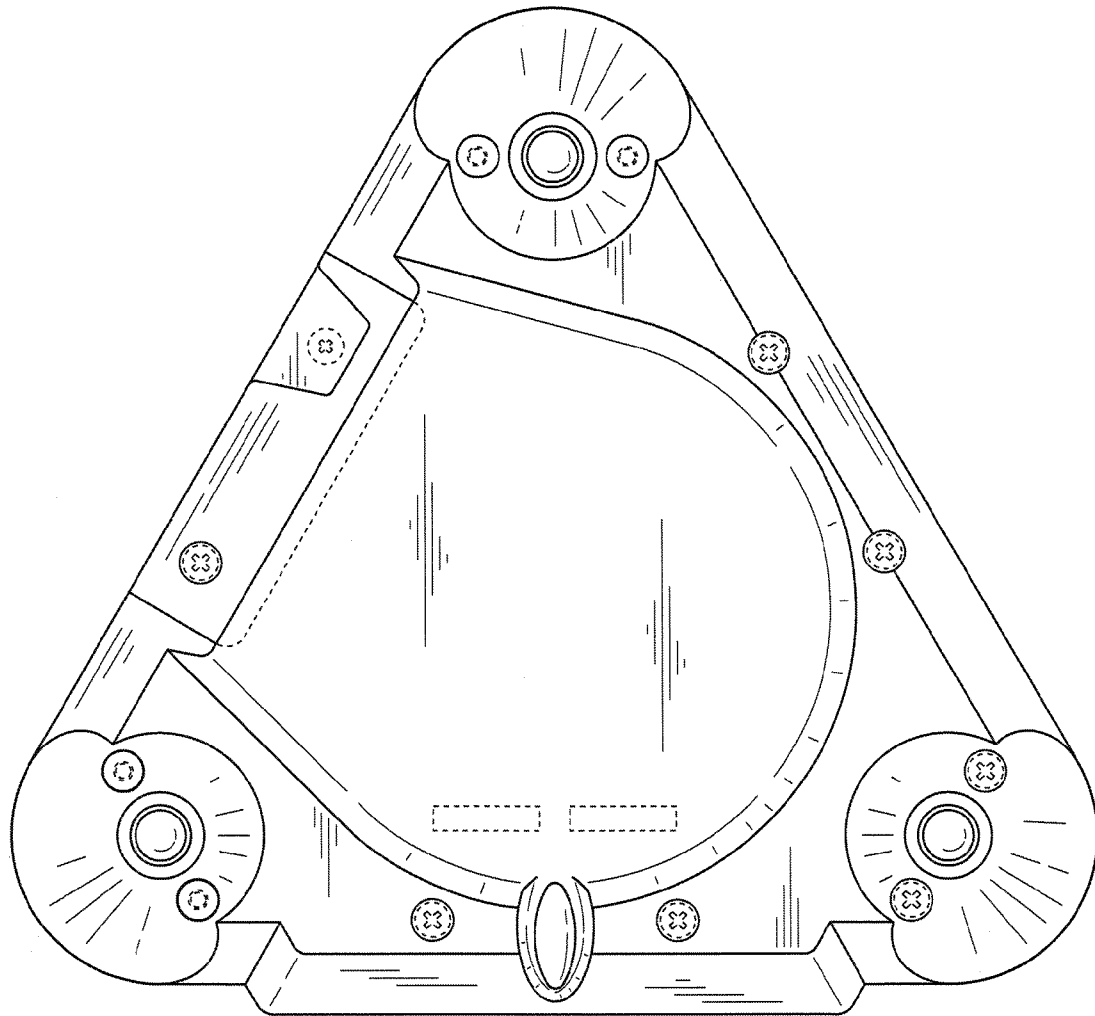
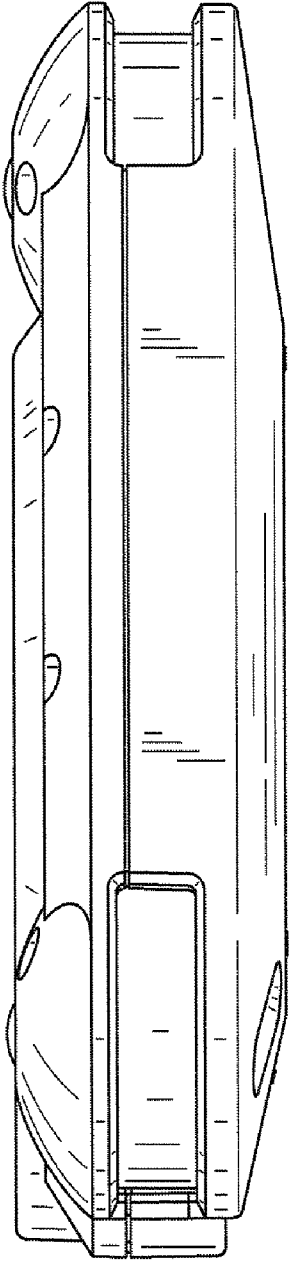
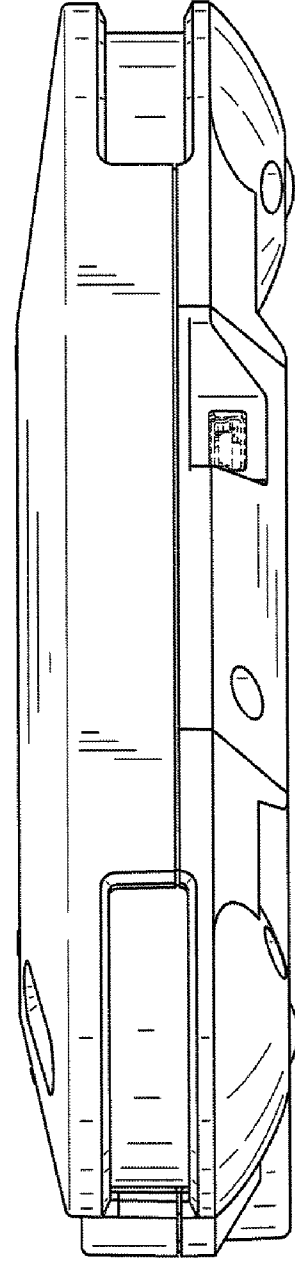


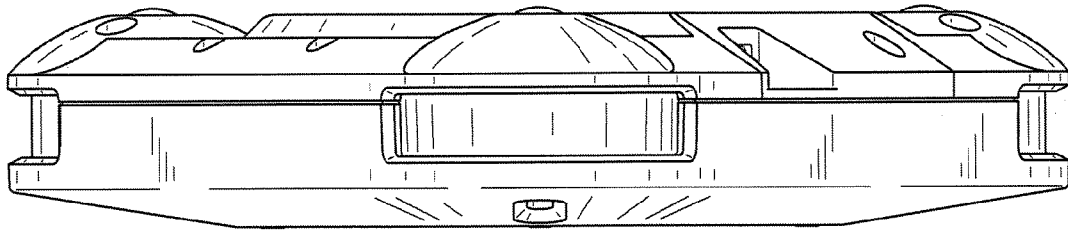
FIG. 3



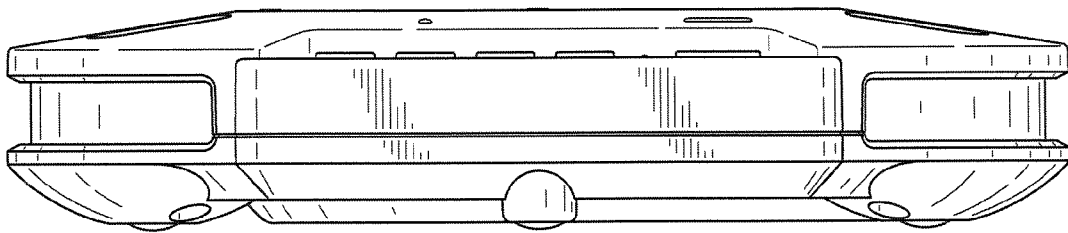
*FIG. 4*



*FIG. 5*



*FIG. 6*



*FIG. 7*