

(19) World Intellectual Property
Organization
International Bureau



(43) International Publication Date
4 November 2004 (04.11.2004)

PCT

(10) International Publication Number
WO 2004/093724 A3

(51) International Patent Classification⁷: A61F 13/00,
13/02, 13/20, 5/44, A61M 1/00

(21) International Application Number:
PCT/US2004/011220

(22) International Filing Date: 9 April 2004 (09.04.2004)

(25) Filing Language: English

(26) Publication Language: English

(30) Priority Data:
10/420,048 21 April 2003 (21.04.2003) US

(71) Applicants and

(72) Inventors: VISCOMI, Dominic, A. [US/US]; 1868 Felicity La., Hellertown, PA 18055 (US). VISCOMI, Brian, D. [US/US]; 500 Central Ave., Union City, N.J. 07087 (US).

(81) Designated States (unless otherwise indicated, for every kind of national protection available): AE, AG, AL, AM, AT, AU, AZ, BA, BB, BG, BR, BW, BY, BZ, CA, CH, CN, CO, CR, CU, CZ, DE, DK, DM, DZ, EC, EE, EG, ES, FI, GB, GD, GE, GH, GM, HR, HU, ID, IL, IN, IS, JP, KE,

KG, KP, KR, KZ, LC, LK, LR, LS, LT, LU, LV, MA, MD, MG, MK, MN, MW, MX, MZ, NA, NI, NO, NZ, OM, PG, PH, PL, PT, RO, RU, SC, SD, SE, SG, SK, SL, SY, TJ, TM, TN, TR, TT, TZ, UA, UG, US, UZ, VC, VN, YU, ZA, ZM, ZW.

(84) Designated States (unless otherwise indicated, for every kind of regional protection available): ARIPO (BW, GH, GM, KE, LS, MW, MZ, SD, SL, SZ, TZ, UG, ZM, ZW), Eurasian (AM, AZ, BY, KG, KZ, MD, RU, TJ, TM), European (AT, BE, BG, CH, CY, CZ, DE, DK, EE, ES, FI, FR, GB, GR, HU, IE, IT, LU, MC, NL, PL, PT, RO, SE, SI, SK, TR), OAPI (BF, BJ, CF, CG, CI, CM, GA, GN, GQ, GW, ML, MR, NE, SN, TD, TG).

Declaration under Rule 4.17:

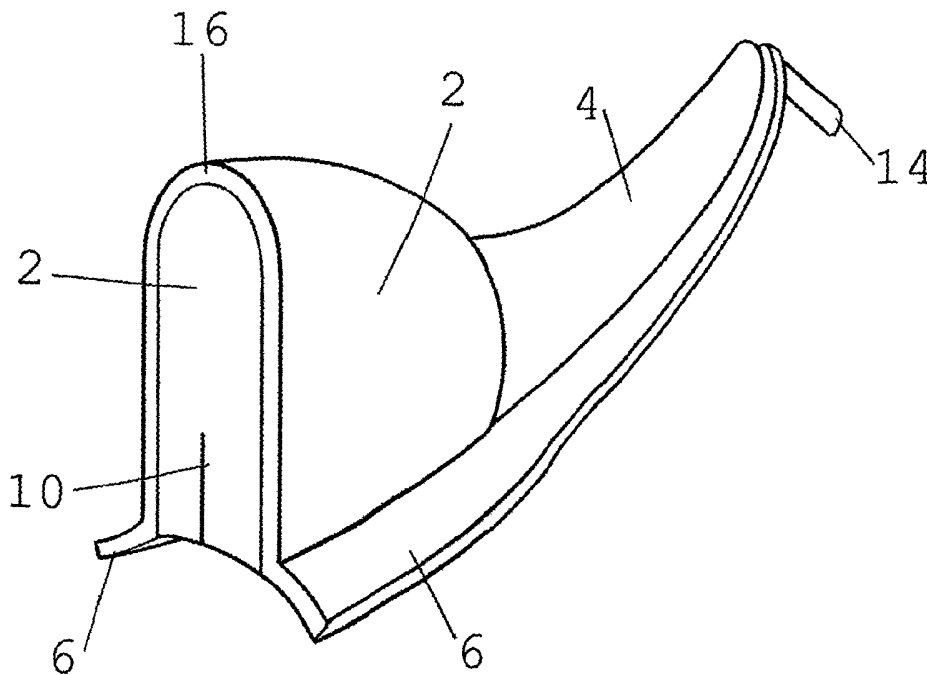
— of inventorship (Rule 4.17(iv)) for US only

Published:

— with international search report
— before the expiration of the time limit for amending the claims and to be republished in the event of receipt of amendments

[Continued on next page]

(54) Title: POSITIVE-PRESSURE RECTAL INCONTINENCE PAD



(57) Abstract: An ergonomically contoured, snail shaped rectal pad comprising a highly compressible pressure-producing node (2) contiguous to a thin blade-like structure called a tail (4) enveloped in an absorbent sheath. Surrounding these structures are two flap-like lateral wings (6), which form the posterior groove (12). Emerging from the posterior groove is the insertion aperture (10) and the removal tab (14). Encasing the pad is a highly absorbent sheath (16).

WO 2004/093724 A3



(88) Date of publication of the international search report:
17 March 2005

For two-letter codes and other abbreviations, refer to the "Guidance Notes on Codes and Abbreviations" appearing at the beginning of each regular issue of the PCT Gazette.

INTERNATIONAL SEARCH REPORT

International application No.

PCT/US04/11220

A. CLASSIFICATION OF SUBJECT MATTER

IPC(7) : A61F 13/00, 13/02, 13/20, 5/44; A61M 1/00

US CL : 604/304-307, 327, 328, 355, 358, 377, 385.01-387; 600/29-32

According to International Patent Classification (IPC) or to both national classification and IPC

B. FIELDS SEARCHED

Minimum documentation searched (classification system followed by classification symbols)

U.S. : 604/304-307, 327, 328, 355, 358, 377, 385.01-387; 600/29-32

Documentation searched other than minimum documentation to the extent that such documents are included in the fields searched

Electronic data base consulted during the international search (name of data base and, where practicable, search terms used)

C. DOCUMENTS CONSIDERED TO BE RELEVANT

Category *	Citation of document, with indication, where appropriate, of the relevant passages	Relevant to claim No.
X	US 4,981,465 A (BALLAN ET AL.) 01 January 1991, see col. 3, lines 15-19 and col. 3, line 62-col.4, line 6.	1, 3, 4
Y	US RE24,385 (FLANDERS) 29 October 1957, see col. 1, lines 14-22.	1, 2, 5, 7, 12, 13
A	US 5,924,423 A (MAJLESSI) 20 July 1999, see entire document.	
A	US 4,880,417 A (YABROV ET AL.) 14 November 1989, see entire document.	
A, E	US 2004/0162537 A1 (MANASEK) 19 August 2004, see entire document.	

Further documents are listed in the continuation of Box C.

See patent family annex.

* Special categories of cited documents:		
"A"	document defining the general state of the art which is not considered to be of particular relevance	"T" later document published after the international filing date or priority date and not in conflict with the application but cited to understand the principle or theory underlying the invention
"E"	earlier application or patent published on or after the international filing date	"X" document of particular relevance; the claimed invention cannot be considered novel or cannot be considered to involve an inventive step when the document is taken alone
"L"	document which may throw doubts on priority claim(s) or which is cited to establish the publication date of another citation or other special reason (as specified)	"Y" document of particular relevance; the claimed invention cannot be considered to involve an inventive step when the document is combined with one or more other such documents, such combination being obvious to a person skilled in the art
"O"	document referring to an oral disclosure, use, exhibition or other means	"&" document member of the same patent family
"P"	document published prior to the international filing date but later than the priority date claimed	

Date of the actual completion of the international search

22 December 2004 (22.12.2004)

Date of mailing of the international search report

19 JAN 2005

Name and mailing address of the ISA/US

Mail Stop PCT, Attn: ISA/US
Commissioner for Patents
P.O. Box 1450
Alexandria, Virginia 22313-1450
Facsimile No. (703)305-3230

Authorized officer

LINDA SHOLL

Telephone No. 703 308-0858