



US00D415083S

United States Patent [19]
DeRoche

[11] **Patent Number: Des. 415,083**
[45] **Date of Patent: ** Oct. 12, 1999**

[54] **BICYCLE HANDLEBAR**

OTHER PUBLICATIONS

[76] Inventor: **David A. DeRoche**, 342 W. Atlantic St.,
Appleton, Wis. 54911

Brochure "Excel Sports Boulder" Spring 1997.
Brochure "Performance Elite Summer 1997".

[**] Term: **14 Years**

Primary Examiner—Melody N. Brown
Attorney, Agent, or Firm—Donald Cayen

[21] Appl. No.: **29/076,692**

[57] **CLAIM**

[22] Filed: **Sep. 12, 1997**

The ornamental design for a bicycle handlebar, as shown and described.

[51] **LOC (6) Cl.** **12-16**

[52] **U.S. Cl.** **D12/178**

[58] **Field of Search** D12/111, 178;
74/551.1, 551.2, 551.3, 551.8, 551.9

DESCRIPTION

FIG. 1 is a left side view of a bicycle handlebar showing my new design, the right side being a mirror image of that shown;

FIG. 2 is a top view thereof; and,

FIG. 3 is a front view thereof.

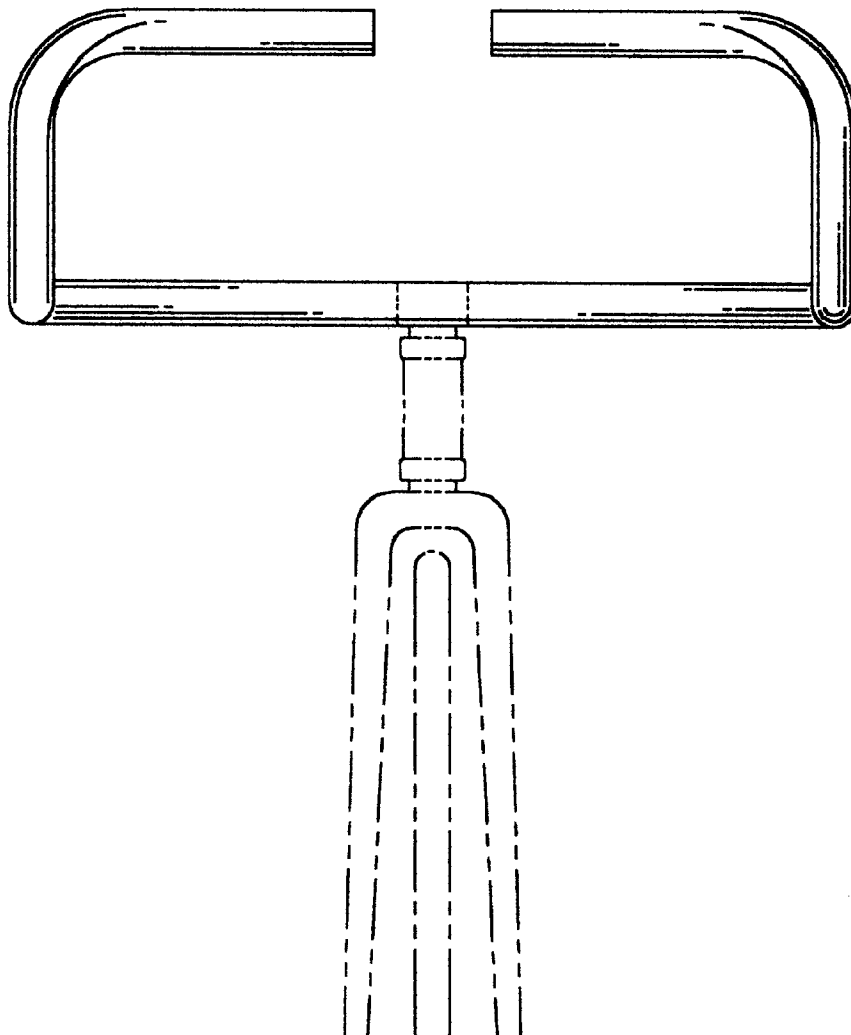
The broken lines shown in the drawing views are for illustrative purposes only and form no part of the claimed design.

[56] **References Cited**

U.S. PATENT DOCUMENTS

D. 211,144	5/1968	Pawsat	D12/178
D. 384,925	10/1997	Pawsat et al.	D12/178
D. 387,316	12/1997	Pawsat et al.	D12/178
5,024,119	6/1991	Linden	74/551.1
5,083,476	1/1992	Borromeo	D12/178

1 Claim, 3 Drawing Sheets



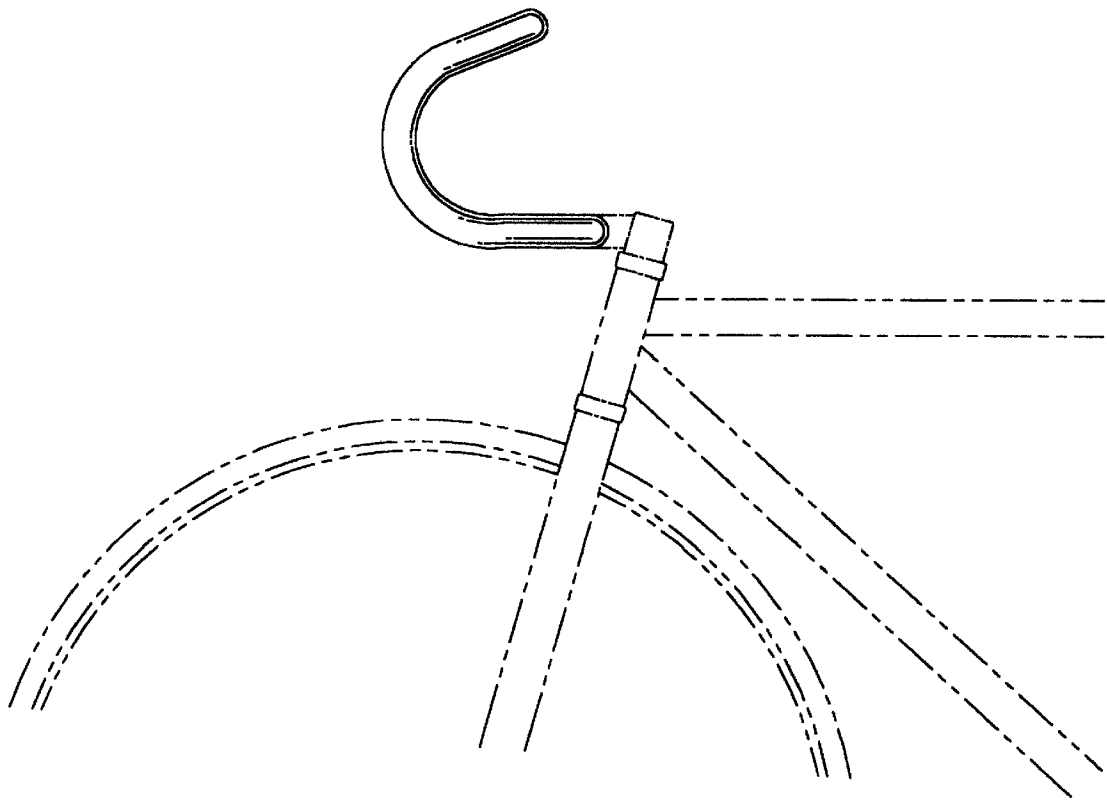


FIG. 1

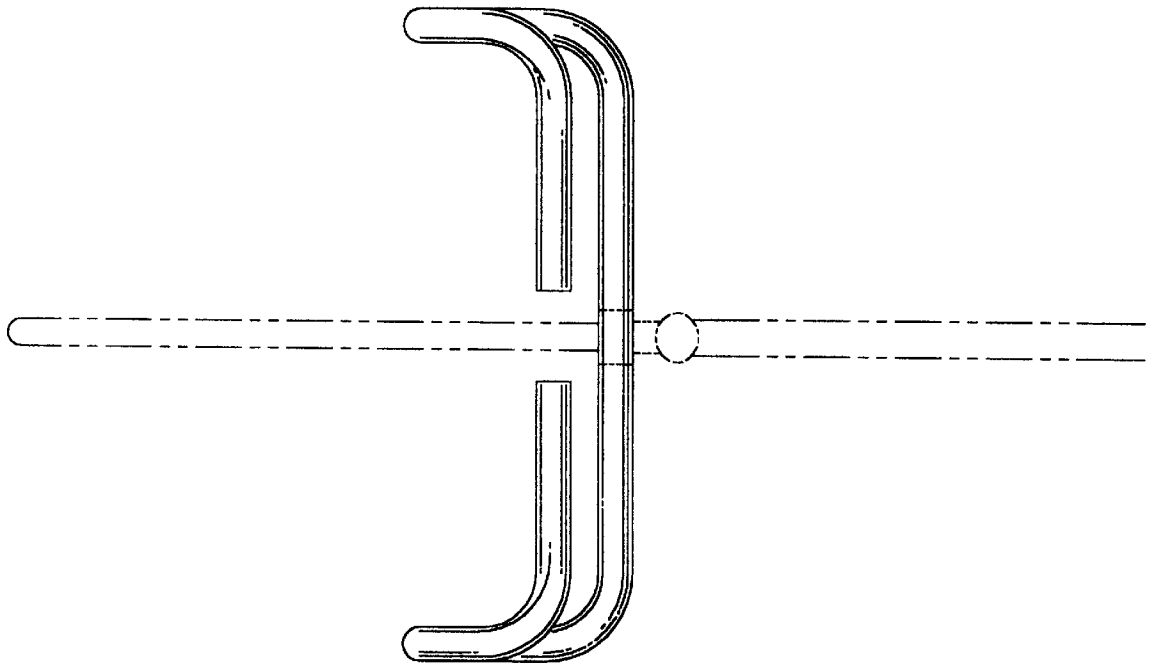


FIG. 2

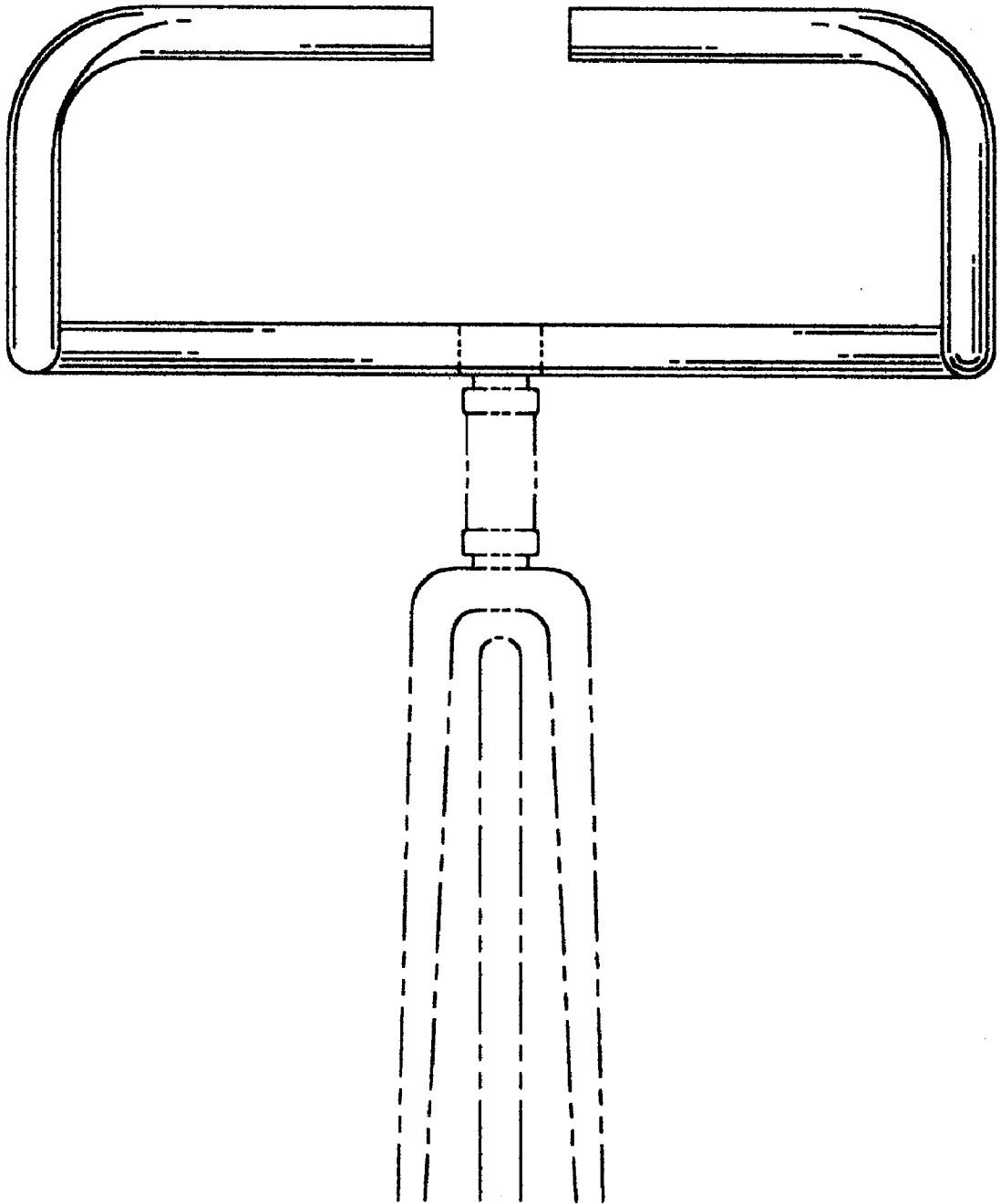


FIG. 3