

CORRECTED VERSION

(19) World Intellectual Property Organization
International Bureau



(43) International Publication Date
17 April 2008 (17.04.2008)

PCT

(10) International Publication Number
WO 2008/043173 A8

(51) International Patent Classification:

B21D 37/00 (2006.01) B23P 25/00 (2006.01)
B21D 26/02 (2006.01) B23Q 11/00 (2006.01)

(21) International Application Number:

PCT/CA2007/001800

(22) International Filing Date: 12 October 2007 (12.10.2007)

(25) Filing Language: English

(26) Publication Language: English

(30) Priority Data:

60/851,812 13 October 2006 (13.10.2006) US

(71) Applicant (for all designated States except US): MAGNA INTERNATIONAL INC. [CA/CA]; 337 Magna Drive, Aurora, Ontario L4G 7K1 (CA).

(72) Inventors; and

(75) Inventors/Applicants (for US only): KOTAGIRI, Seetarama S. [US/US]; 260 Woodside Ct, #231, Rochester Hills, Michigan 48307 (US). MATHAROO, Dalip K. [GB/US]; 2975 Hidden Timber Drive, Orion, Michigan 48359 (US). SANTILLI, Rennie J. [CA/US]; 3490 S Century Oak Cir, Oakland, Michigan 48363 (US).

(74) Agents: IMAI, Jeffrey T. et al.; Magna International Inc., 337 Magna Drive, Aurora, Ontario L4G 7K1 (CA).

(81) Designated States (unless otherwise indicated, for every kind of national protection available): AE, AG, AL, AM, AT, AU, AZ, BA, BB, BG, BH, BR, BW, BY, BZ, CA, CH, CN, CO, CR, CU, CZ, DE, DK, DM, DO, DZ, EC, EE, EG, ES, FI, GB, GD, GE, GH, GM, GT, HN, HR, HU, ID, IL, IN, IS, JP, KE, KG, KM, KN, KP, KR, KZ, LA, LC, LK, LR, LS, LT, LU, LY, MA, MD, ME, MG, MK, MN, MW, MX, MY, MZ, NA, NG, NI, NO, NZ, OM, PG, PH, PL, PT, RO, RS, RU, SC, SD, SE, SG, SK, SL, SM, SV, SY, TJ, TM, TN, TR, TT, TZ, UA, UG, US, UZ, VC, VN, ZA, ZM, ZW.

(84) Designated States (unless otherwise indicated, for every kind of regional protection available): ARIPO (BW, GH, GM, KE, LS, MW, MZ, NA, SD, SL, SZ, TZ, UG, ZM, ZW), Eurasian (AM, AZ, BY, KG, KZ, MD, RU, TJ, TM), European (AT, BE, BG, CH, CY, CZ, DE, DK, EE, ES, FI, FR, GB, GR, HU, IE, IS, IT, LT, LU, LV, MC, MT, NL, PL, PT, RO, SE, SI, SK, TR), OAPI (BF, BJ, CF, CG, CI, CM, GA, GN, GQ, GW, ML, MR, NE, SN, TD, TG).

Published:

— with international search report

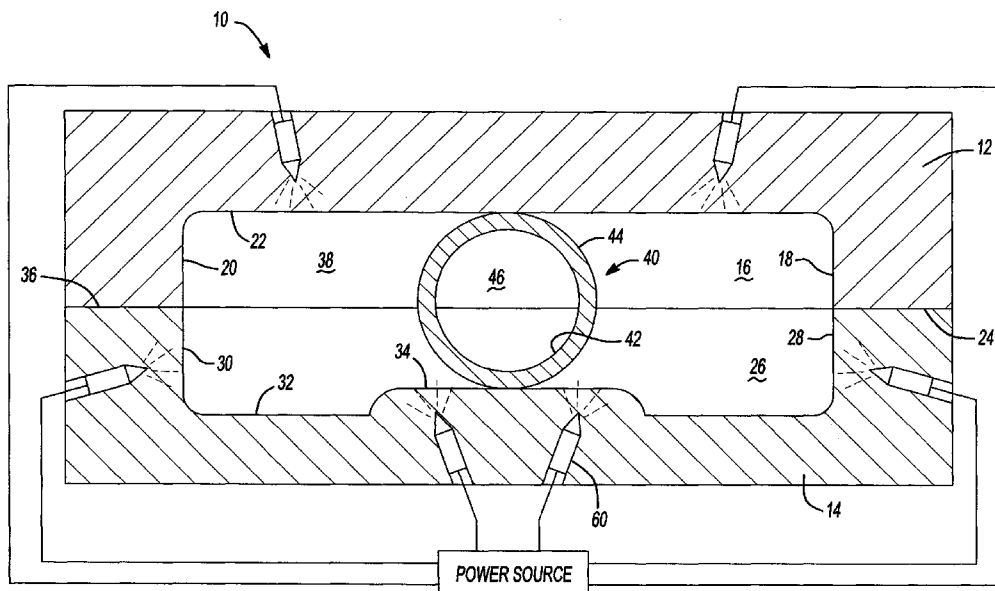
(48) Date of publication of this corrected version:

4 June 2009

(15) Information about Correction:

see Notice of 4 June 2009

(54) Title: METAL FORMING WITH VIBRATION ASSIST



(57) Abstract: A metal forming die includes a first die half and a second die half moveable relative to the first die half. The first and second die halves define a die cavity when the second die half is in a closed position. A transducer is operable to vibrate the first die half during metal forming.

WO 2008/043173 A8