



US00D828103S

(12) **United States Design Patent**  
**Kasha**

(10) **Patent No.:** **US D828,103 S**

(45) **Date of Patent:** **\*\* Sep. 11, 2018**

- (54) **DOUBLE-WALLED VESSEL**
- (71) Applicant: **Adam Kasha**, Ann Arbor, MI (US)
- (72) Inventor: **Adam Kasha**, Ann Arbor, MI (US)
- (\*\*) Term: **15 Years**
- (21) Appl. No.: **29/613,690**
- (22) Filed: **Aug. 11, 2017**
- (51) **LOC (11) Cl.** ..... **07-01**
- (52) **U.S. Cl.**  
USPC ..... **D7/584**
- (58) **Field of Classification Search**  
USPC ..... D7/500, 584  
CPC ..... A47G 19/2205; A47G 2019/122  
See application file for complete search history.

D742,176	S *	11/2015	Thun	.....	D7/509
D743,208	S *	11/2015	Thun	.....	D7/509
D750,938	S *	3/2016	Thun	.....	D7/523
9,440,835	B2 *	9/2016	Springer	.....	A47G 19/2205
D777,521	S *	1/2017	Struggl	.....	D7/534
D793,170	S *	8/2017	Karussi	.....	D7/538
D794,393	S *	8/2017	Karussi	.....	D7/538
D794,394	S *	8/2017	Karussi	.....	D7/538
D806,478	S *	1/2018	Struggl	.....	D7/523
D806,481	S *	1/2018	Hinze	.....	D7/558
D807,121	S *	1/2018	Mittal	.....	D7/587
2010/0288776	A1 *	11/2010	Bodum	.....	A47J 41/0077 220/592.2
2014/0041751	A1 *	2/2014	Stern	.....	A47G 19/2205 141/1
2014/0124470	A1 *	5/2014	Alberts	.....	A47G 19/2288 215/12.1
2017/0188729	A1 *	7/2017	Fenelon	.....	A47G 19/2205

\* cited by examiner

*Primary Examiner* — Cynthia R Underwood

(74) *Attorney, Agent, or Firm* — John G. Posa; Belzer P.C.

(56) **References Cited**

**U.S. PATENT DOCUMENTS**

5,813,638	A *	9/1998	Morris	.....	A47G 19/08 220/574
6,314,911	B1 *	11/2001	Kaytovich	.....	A01K 5/0114 119/61.5
D597,792	S *	8/2009	Lion	.....	D7/509
D599,619	S *	9/2009	Bodum	.....	D7/509
D622,548	S *	8/2010	Jensen	.....	D7/509
D623,897	S *	9/2010	Ross	.....	D7/507
D626,790	S *	11/2010	Gibson	.....	D7/325
D631,294	S *	1/2011	Ross	.....	D7/507
D637,456	S *	5/2011	Creech	.....	D7/509
D650,633	S *	12/2011	Birgers	.....	D7/509
D651,467	S *	1/2012	Bodum	.....	D7/509
D698,603	S *	2/2014	Huckestein	.....	D7/509

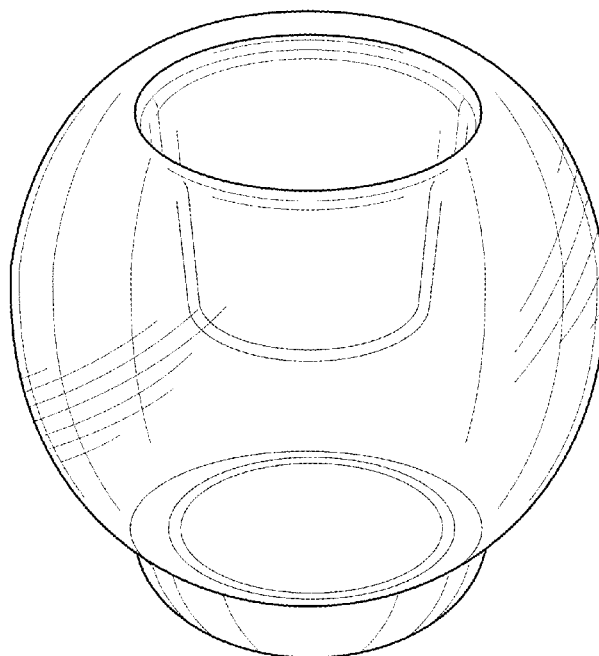
(57) **CLAIM**

The ornamental design for a double-walled vessel, as shown and described.

**DESCRIPTION**

FIG. 1 is an oblique view of the claimed design seen from a first perspective;  
FIG. 2 is a side view of the claimed design;  
FIG. 3 is a top view of the claimed design; and,  
FIG. 4 is a bottom view of the claimed design.

**1 Claim, 2 Drawing Sheets**



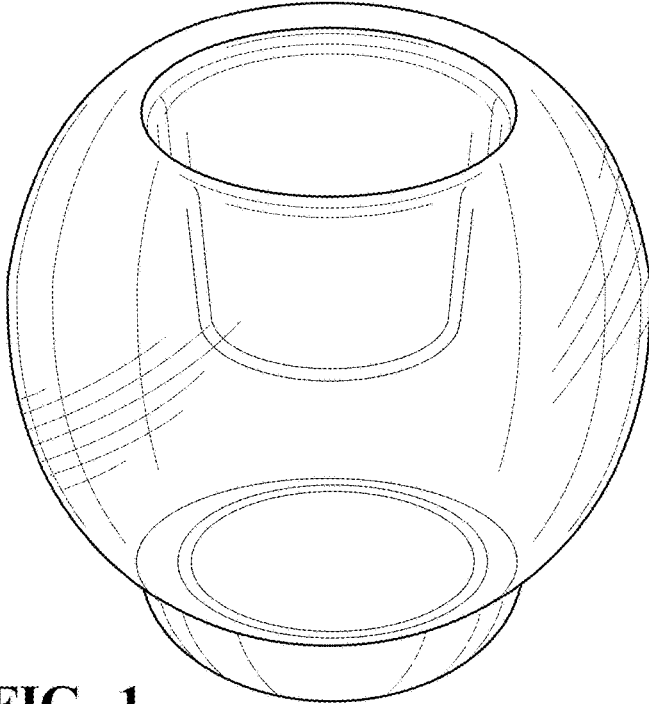


FIG. 1

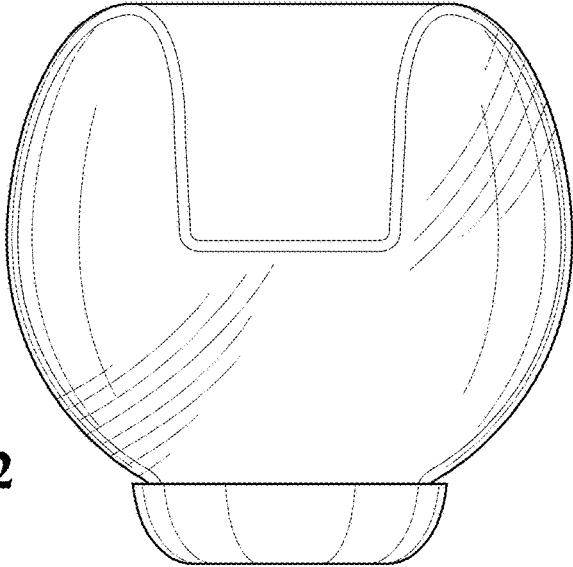
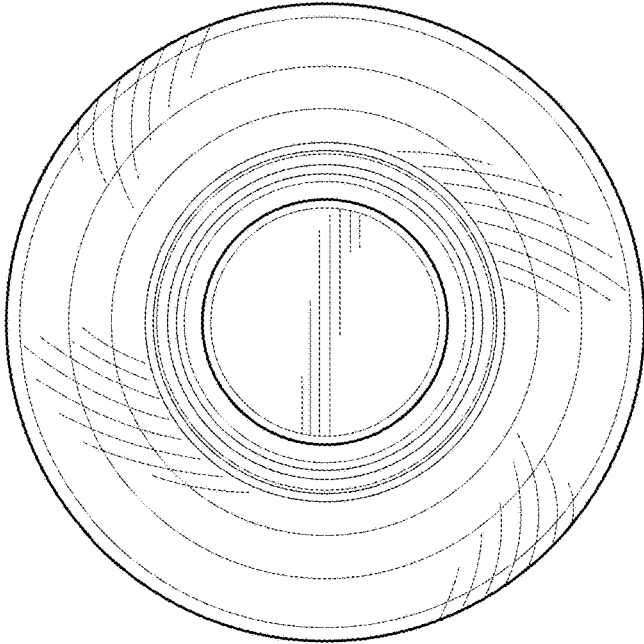


FIG. 2

**FIG. 3**



**FIG. 4**

