

(19) World Intellectual Property Organization  
International Bureau



(43) International Publication Date  
6 December 2007 (06.12.2007)

PCT

(10) International Publication Number  
WO 2007/139974 A3

(51) International Patent Classification:

A61Q 9/02 (2006.01) A61K 8/67 (2006.01)  
A61K 8/92 (2006.01) B26B 21/44 (2006.01)  
A61K 8/42 (2006.01)

06437 (US). BARONE, Chris A. [US/US]; 15 Arbutus Lane, Trumbull, Connecticut 06611 (US).

(21) International Application Number:

PCT/US2007/012574

(22) International Filing Date: 25 May 2007 (25.05.2007)

(25) Filing Language: English

(26) Publication Language: English

(30) Priority Data:  
11/442,098 25 May 2006 (25.05.2006) US

(71) Applicant (for all designated States except US): EVEREADY BATTERY COMPANY [US/US]; 533 Maryville University Drive, St. Louis, Missouri 63141 (US).

(74) Agent: MICHAUD, Richard R.; Michaud-Duffy Group LLP, 306 Industrial Park Road, Suite 206, Middletown, Connecticut 06457 (US).

(81) Designated States (unless otherwise indicated, for every kind of national protection available): AE, AG, AL, AM, AT, AU, AZ, BA, BB, BG, BH, BR, BW, BY, BZ, CA, CH, CN, CO, CR, CU, CZ, DE, DK, DM, DZ, EC, EE, EG, ES, FI, GB, GD, GE, GH, GM, GT, HN, HR, HU, ID, IL, IN, IS, JP, KE, KG, KM, KN, KP, KR, KZ, LA, LC, LK, LR, LS, LT, LU, LY, MA, MD, ME, MG, MK, MN, MW, MX, MY, MZ, NA, NG, NI, NO, NZ, OM, PG, PH, PL, PT, RO, RS, RU, SC, SD, SE, SG, SK, SL, SM, SV, SY, TJ, TM, TN, TR, TT, TZ, UA, UG, US, UZ, VC, VN, ZA, ZM, ZW.

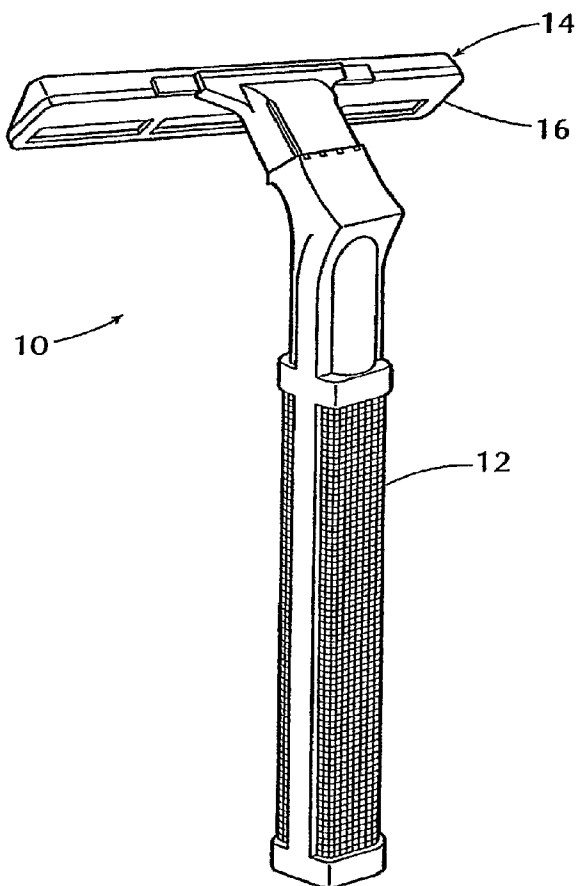
(84) Designated States (unless otherwise indicated, for every kind of regional protection available): ARIPO (BW, GH, GM, KE, LS, MW, MZ, NA, SD, SL, SZ, TZ, UG, ZM, ZW), Eurasian (AM, AZ, BY, KG, KZ, MD, RU, TJ, TM), European (AT, BE, BG, CH, CY, CZ, DE, DK, EE, ES, FI,

(72) Inventors; and

(75) Inventors/Applicants (for US only): MEHTA, Rooma M. [US/US]; 47 Leighton Trail, Guilford, Connecticut

[Continued on next page]

(54) Title: RAZOR HEAD APPARATUS



(57) Abstract: A razor cartridge includes a frame, one or more razor blades mounted within the frame, and a guard attached to the frame. The guard is disposed forward of the razor blades and consists essentially of a water-insoluble compliant material and a water-soluble lubricious material integrally formed therewith and substantially uniformly mixed therewith, thereby enabling the guard to be compliant and lubricious when exposed to water. The guard also includes a skin care ingredient selected from the group consisting of oils, vitamins, aloe, bisabolol, fruit extracts, green tea, antipruritic/counter irritant materials, antimicrobial/keratolytic materials, anti-fungal agents, anti-inflammatory agents, astringents, surfactants, rinsing aids, soaps, tackifiers, sunblocking agents, exfoliating agents, moisturizing agents, antiseptics, antioxidants, colorants, fragrances, and combinations of the foregoing. When the razor cartridge into which the guard is incorporated is used in a shaving operation, the integrally formed and substantially uniform mixture is the initial skin-contacting surface.

WO 2007/139974 A3



FR, GB, GR, HU, IE, IS, IT, LT, LU, LV, MC, MT, NL, PL,  
PT, RO, SE, SI, SK, TR), OAPI (BF, BJ, CF, CG, CI, CM,  
GA, GN, GQ, GW, ML, MR, NE, SN, TD, TG).

— *before the expiration of the time limit for amending the  
claims and to be republished in the event of receipt of  
amendments*

**Published:**

— *with international search report*

**(88) Date of publication of the international search report:**

10 July 2008

INTERNATIONAL SEARCH REPORT

International application No  
PCT/US2007/012574

A. CLASSIFICATION OF SUBJECT MATTER

INV. A61Q9/02 A61K8/92 A61K8/42 A61K8/67 B26B21/44

According to International Patent Classification (IPC) or to both national classification and IPC

B. FIELDS SEARCHED

Minimum documentation searched (classification system followed by classification symbols)

A61Q A61K B26B

Documentation searched other than minimum documentation to the extent that such documents are included in the fields searched

Electronic data base consulted during the international search (name of data base and, where practical, search terms used)

EPO-Internal, WPI Data

C. DOCUMENTS CONSIDERED TO BE RELEVANT

Category*	Citation of document, with indication, where appropriate, of the relevant passages	Relevant to claim No.
X	EP 1 252 984 A (WARNER LAMBERT CO [US] EVEREADY BATTERY INC [US]) 30 October 2002 (2002-10-30)	1-5
Y	paragraph [0021]	6-21
Y	US 6 185 822 B1 (TSENG MINGCHIH M [US] ET AL) 13 February 2001 (2001-02-13) column 6, examples A and F	6-21
Y	WO 2004/017785 A (EVEREADY BATTERY INC [US]) 4 March 2004 (2004-03-04) claim 16	6-12
Y	GB 2 306 323 A (RECKITT & COLMANN SA [FR]) 7 May 1997 (1997-05-07) page 7, line 17 - line 18 page 7, line 18 - line 20	6-12
	-/--	

Further documents are listed in the continuation of Box C.

See patent family annex.

\* Special categories of cited documents :

\*A\* document defining the general state of the art which is not considered to be of particular relevance

\*E\* earlier document but published on or after the international filing date

\*L\* document which may throw doubts on priority claim(s) or which is cited to establish the publication date of another citation or other special reason (as specified)

\*O\* document referring to an oral disclosure, use, exhibition or other means

\*P\* document published prior to the international filing date but later than the priority date claimed

\*T\* later document published after the international filing date or priority date and not in conflict with the application but cited to understand the principle or theory underlying the invention

\*X\* document of particular relevance; the claimed invention cannot be considered novel or cannot be considered to involve an inventive step when the document is taken alone

\*Y\* document of particular relevance; the claimed invention cannot be considered to involve an inventive step when the document is combined with one or more other such documents, such combination being obvious to a person skilled in the art.

\* & \* document member of the same patent family.

Date of the actual completion of the international search

16 May 2008

Date of mailing of the international search report

27/05/2008

Name and mailing address of the ISA/

European Patent Office, P.B. 5818 Patentlaan 2  
NL - 2280 HV Rijswijk  
Tel. (+31-70) 340-2040, Tx. 31 651 epo nl,  
Fax: (+31-70) 340-3016

Authorized officer

Werner, Stefan

INTERNATIONAL SEARCH REPORT

International application No  
PCT/US2007/012574

C(Continuation). DOCUMENTS CONSIDERED TO BE RELEVANT

Category*	Citation of document, with indication, where appropriate, of the relevant passages	Relevant to claim No.
Y	WO 01/85112 A (AUSTRALIAN IMP ERS LTD [US]; VROMAN JACOB [AU]) 15 November 2001 (2001-11-15) page 3, line 6 - line 11 -----	6-12

## INTERNATIONAL SEARCH REPORT

Information on patent family members

International application No

PCT/US2007/012574

Patent document cited in search report		Publication date	Patent family member(s)	Publication date
EP 1252984	A	30-10-2002	AU 3563902 A	31-10-2002
			CA 2383106 A1	27-10-2002
			DE 60206685 T2	13-07-2006
			JP 2003019372 A	21-01-2003
			US 2002157256 A1	31-10-2002
US 6185822	B1	13-02-2001	AT 223280 T	15-09-2002
			AU 723886 B2	07-09-2000
			AU 6341998 A	18-09-1998
			BR 9807564 A	16-05-2000
			CA 2277175 A1	03-09-1998
			CN 1246821 A	08-03-2000
			CZ 9902450 A3	14-06-2000
			DE 69807652 D1	10-10-2002
			DE 69807652 T2	07-08-2003
			EG 21901 A	30-04-2002
			EP 0952903 A2	03-11-1999
			ES 2181176 T3	16-02-2003
			ID 22338 A	30-09-1999
			IL 130843 A	12-02-2003
			JP 4020975 B2	12-12-2007
			JP 2001513684 T	04-09-2001
			NO 993800 A	06-08-1999
			NZ 337067 A	23-02-2001
			PL 335210 A1	10-04-2000
			RU 2197373 C2	27-01-2003
			TR 9901859 T2	21-12-1999
			WO 9838015 A2	03-09-1998
			US 5956848 A	28-09-1999
ZA 9801450 A	19-08-1998			
WO 2004017785	A	04-03-2004	AU 2003278720 A1	11-03-2004
			EP 1551602 A2	13-07-2005
			JP 2006507037 T	02-03-2006
GB 2306323	A	07-05-1997	AU 716159 B2	17-02-2000
			AU 7224496 A	07-05-1997
			BR 9610930 A	21-12-1999
			CA 2234964 A1	24-04-1997
			DE 69631289 D1	12-02-2004
			DE 69631289 T2	18-11-2004
			EP 0855900 A1	05-08-1998
			ES 2211979 T3	16-07-2004
			WO 9714397 A1	24-04-1997
			NZ 319674 A	29-07-1999
			US 6203784 B1	20-03-2001
			ZA 9608677 A	21-05-1997
WO 0185112	A	15-11-2001	AU 6306101 A	20-11-2001
			CA 2408702 A1	15-11-2001