



US00D451985B1

(12) **United States Design Patent** (10) **Patent No.:** **US D451,985 S**
Tigerholm (45) **Date of Patent:** **** Dec. 11, 2001**

(54) **COUPLING DEVICE FOR PIPINGS**

(75) Inventor: **Lars Tigerholm, Ekerö (SE)**

(73) Assignee: **Tigerholm Innovation AB (SE)**

(**) Term: **14 Years**

(21) Appl. No.: **29/124,623**

(22) Filed: **Jun. 8, 2000**

(51) **LOC (7) Cl.** **23-01**

(52) **U.S. Cl.** **D23/262; D8/382**

(58) **Field of Search** **D23/262-264, D23/265; 285/105; 403/291, 300**

(56) **References Cited**

U.S. PATENT DOCUMENTS

D. 235,874	*	7/1975	Olson	D23/262
D. 239,938	*	5/1976	Oldon	D23/262
2,463,235	*	3/1949	Andrews	285/105
2,956,820	*	10/1960	De Cenzo	285/105
2,967,723	*	1/1961	Willis	285/105

* cited by examiner

Primary Examiner—Robin V. Taylor

(74) *Attorney, Agent, or Firm*—Lerner, David, Littenberg, Krumholz & Mentlik, LLP

(57) **CLAIM**

The ornamental design for a coupling device for pipings, as shown and described.

DESCRIPTION

FIG. 1 is a bottom, front, perspective view of the coupling device for pipings in accordance with the present invention; FIG. 2 is a top, front, perspective view of the coupling device for pipings shown in FIG. 1;

FIG. 3 is a front, elevational view of the coupling device for pipings shown in FIG. 1 with the rear view being a mirror image thereof;

FIG. 4 is a left side, elevational view of the coupling device for pipings shown in FIG. 1 with the right side view being a mirror image thereof;

FIG. 5 is a bottom, elevational view of the coupling device for pipings shown in FIG. 1; and,

FIG. 6 is a top, elevational view of the coupling device for pipings shown in FIG. 1.

1 Claim, 3 Drawing Sheets

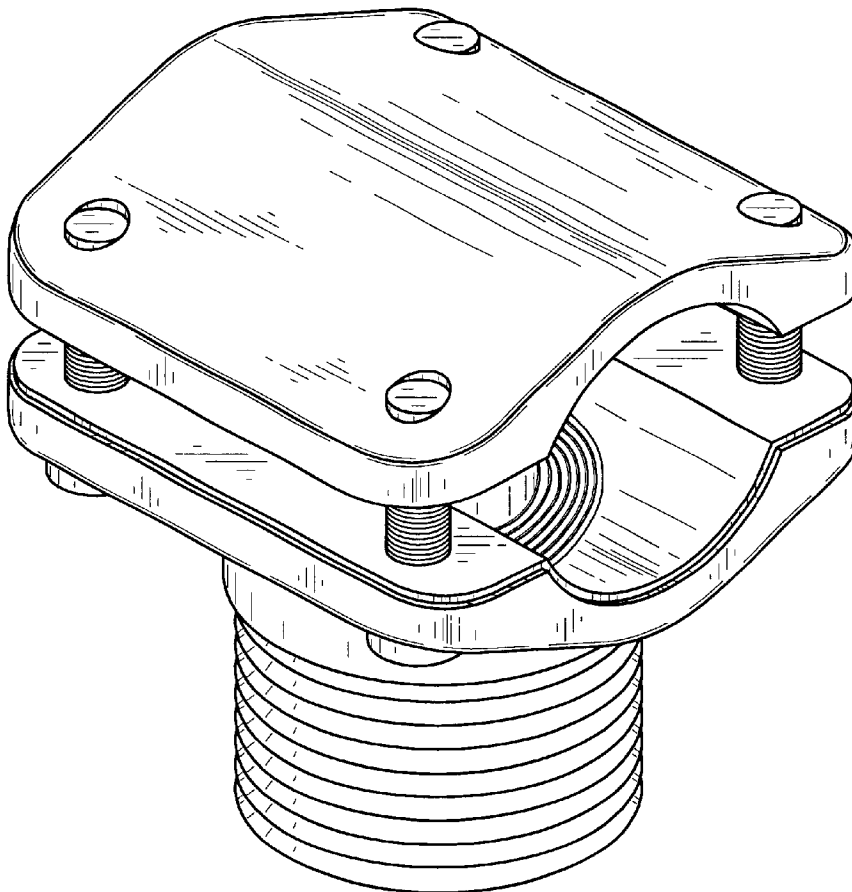


FIG. 1

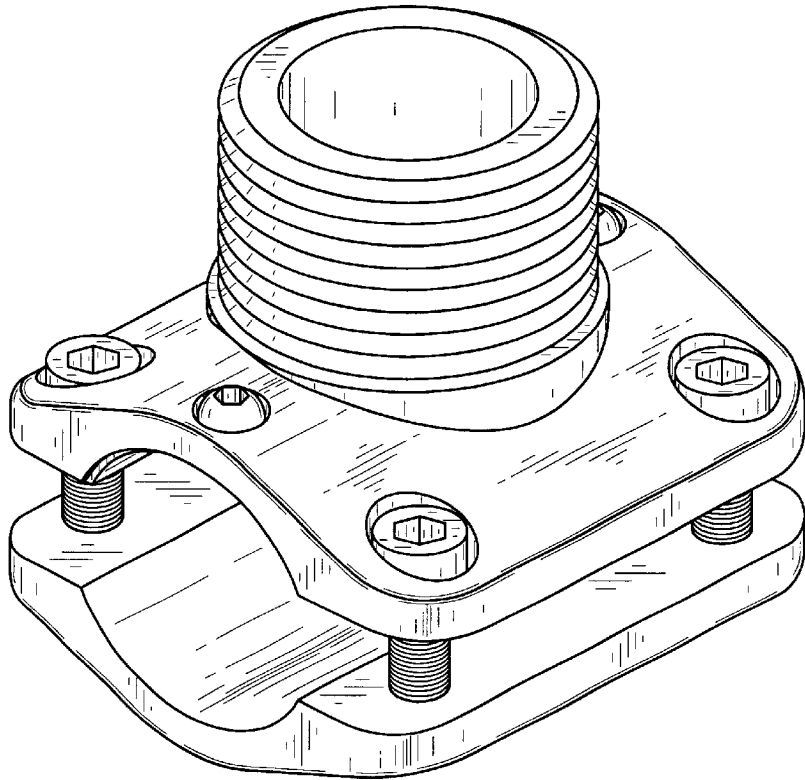


FIG. 2

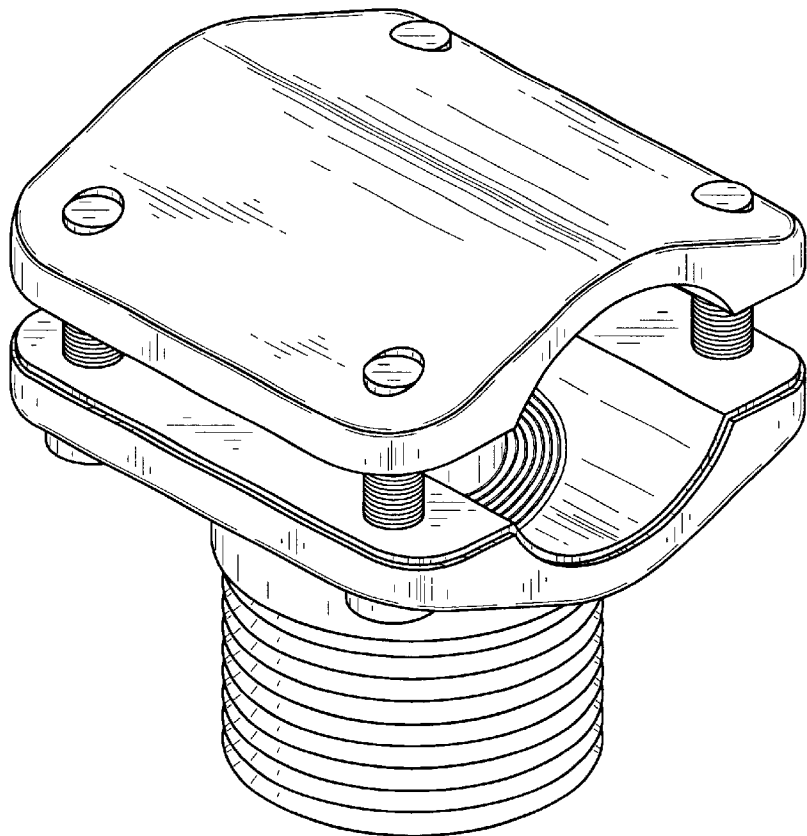


FIG. 3

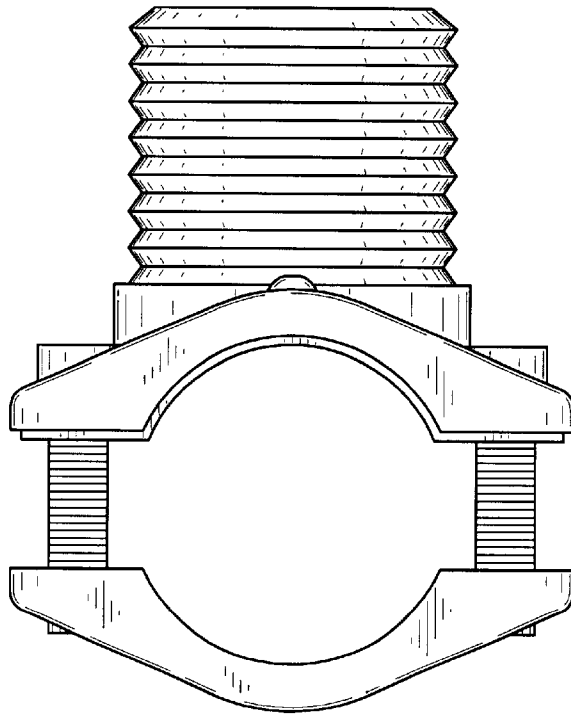


FIG. 4

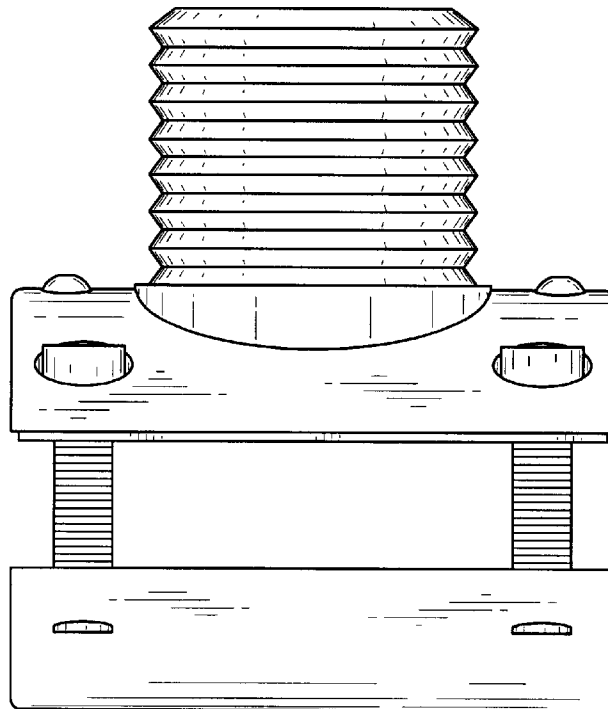


FIG. 5

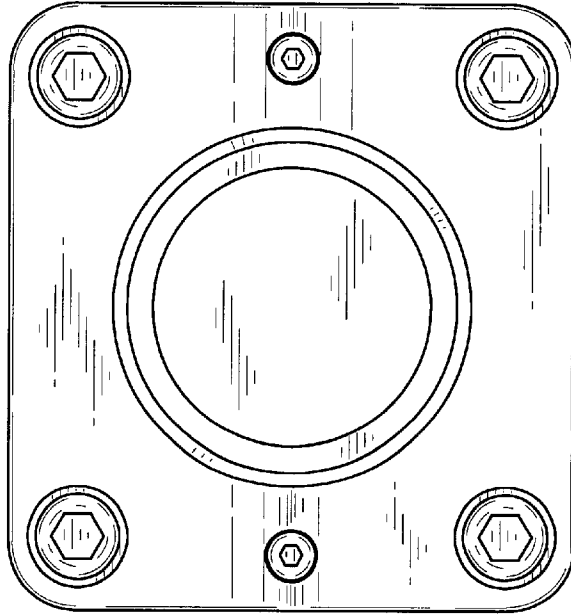


FIG. 6

