



US00D744187S

(12) **United States Design Patent**
Behar et al.

(10) **Patent No.:** **US D744,187 S**

(45) **Date of Patent:** **** Nov. 24, 2015**

- (54) **CART**
- (71) Applicant: **Herman Miller, Inc.**, Zeeland, MI (US)
- (72) Inventors: **Yves Behar**, San Francisco, CA (US);
Qin Li, South San Francisco, CA (US);
Erik Kreider, San Francisco, CA (US);
Naoya Edahiro, San Francisco, CA
(US); **Noah Murphy Reinhertz**, San
Francisco, CA (US); **Diana Chang**, San
Francisco, CA (US); **Casey Lewis**, San
Francisco, CA (US)
- (73) Assignee: **Herman Miller, Inc.**, Zeeland, MI (US)

3,534,978	A *	10/1970	Stanfield	280/79.2
3,580,601	A *	5/1971	Miles	280/47.131
3,746,358	A *	7/1973	Swick et al.	280/651
3,787,072	A *	1/1974	DeBoer et al.	280/79.11
3,908,562	A *	9/1975	Wittschen	280/79.11
4,111,445	A *	9/1978	Haibeck	280/79.3
D295,098	S *	4/1988	Delmerico	D34/17
D324,285	S *	2/1992	Macy	D34/21
5,090,725	A *	2/1992	Feldner	280/651
5,190,305	A *	3/1993	Putman	280/79.3
5,294,009	A *	3/1994	Maurer et al.	211/126.15
5,344,169	A *	9/1994	Pryor et al.	280/79.3
D354,597	S *	1/1995	Crane	D34/21
D386,870	S *	11/1997	Halvorson et al.	D34/21
5,713,584	A *	2/1998	Crane	280/47.35
D405,578	S *	2/1999	Shumake	D34/17
6,022,033	A *	2/2000	Landesman et al.	280/47.35

(Continued)

(**) Term: **14 Years**

Primary Examiner — Cynthia Ramirez

Assistant Examiner — Gino Colan

(21) Appl. No.: **29/457,255**

(74) *Attorney, Agent, or Firm* — Michael Best & Friedrich LLP

(22) Filed: **Jun. 7, 2013**

(51) **LOC (10) Cl.** **12-02**

(52) **U.S. Cl.**
USPC **D34/14**

(58) **Field of Classification Search**
USPC D34/12-27; 280/30, 5.32, 651, 47.35,
280/79.11, 79.3, 47.26, 79.2, 47.371, 47.34,
280/47.131; 312/249.12; 211/204, 126.15
CPC B62B 1/00; B62B 7/00; B62B 3/02;
B62B 5/00; B62B 3/005; G06Q 50/01
See application file for complete search history.

(57) **CLAIM**

The ornamental design for a cart, as shown and described.

(56) **References Cited**

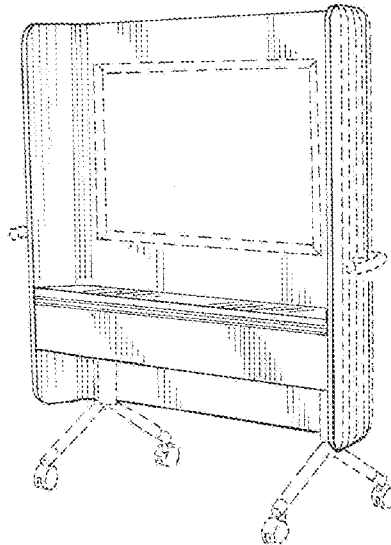
U.S. PATENT DOCUMENTS

2,514,308	A *	7/1950	Burg	280/79.3
D195,944	S *	8/1963	Schreckengost	D34/17
3,149,726	A *	9/1964	Magers	211/134
3,156,318	A *	11/1964	Sorenson et al.	482/28
3,436,092	A *	4/1969	Werner	280/651
3,445,150	A *	5/1969	Zartarian	312/249.8

DESCRIPTION

FIG. 1 is a perspective view of a cart;
FIG. 2 is a right side view of the cart shown in FIG. 1, with a
left side view being a mirror image thereof;
FIG. 3 is a top view of the cart shown in FIG. 1;
FIG. 4 is a front view of the cart shown in FIG. 1;
FIG. 5 is a rear view of the cart shown in FIG. 1; and,
FIG. 6 is a bottom view of the cart shown in FIG. 1.
The broken lines outlining the handle, support legs, screen
details, top panel and rear surface in FIGS. 1-6 are for envi-
ronmental purposes only and do not form part of the claimed
design.

1 Claim, 3 Drawing Sheets



(56)

References Cited

U.S. PATENT DOCUMENTS

6,116,533	A *	9/2000	Elder	242/594.4	6,955,366	B2 *	10/2005	Tokarev	280/47.34
6,203,035	B1 *	3/2001	Ondrasik	280/79.3	D514,269	S *	1/2006	Polidoros	D34/21
6,213,494	B1 *	4/2001	Liaw	280/651	6,986,527	B2 *	1/2006	Carver	280/651
6,224,072	B1 *	5/2001	Weck et al.	280/47.35	7,114,733	B2 *	10/2006	Downs	280/47.35
6,523,776	B1 *	2/2003	Elder	242/594.4	7,438,301	B2 *	10/2008	Schilling et al.	280/79.7
6,742,792	B1 *	6/2004	Hooper et al.	280/79.3	7,527,274	B2 *	5/2009	Strauss et al.	280/33.991
6,811,164	B2 *	11/2004	Trogstam	280/79.3	7,963,533	B2 *	6/2011	Bothun et al.	280/47.35
					8,622,403	B2 *	1/2014	Tan et al.	280/47.35
					2009/0194958	A1 *	8/2009	Lin et al.	280/47.35
					2014/0265253	A1 *	9/2014	Ingrasci	280/638

* cited by examiner

FIG. 1

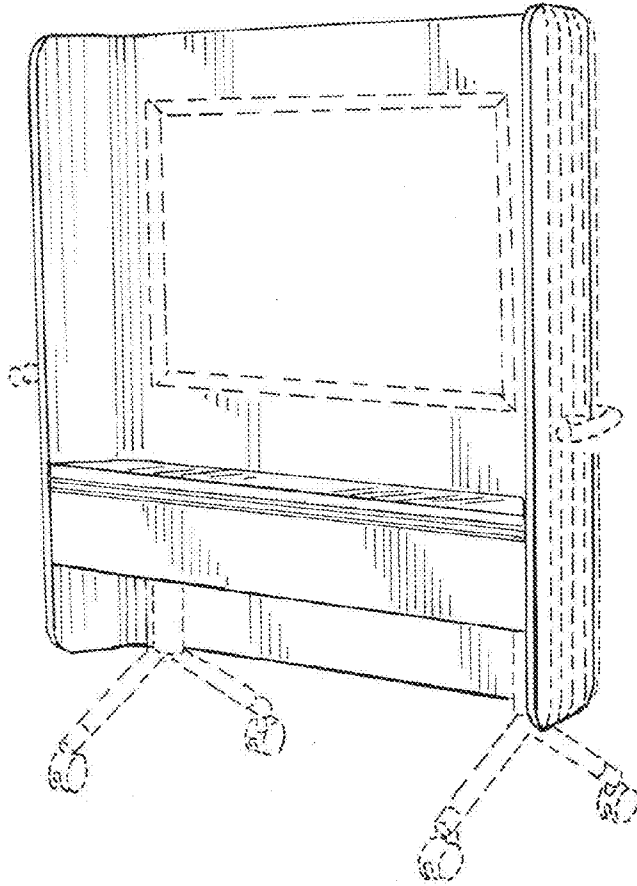


FIG. 2

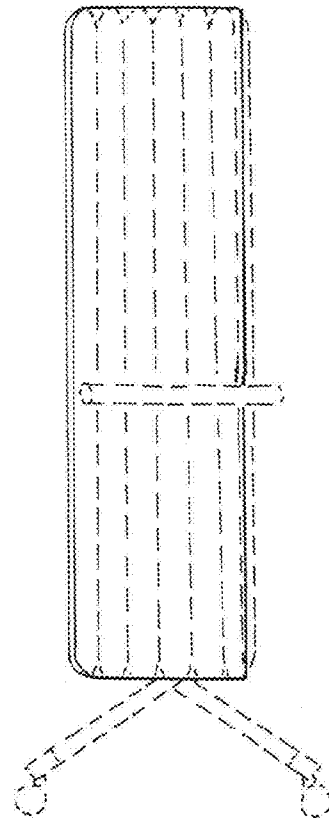


FIG. 3

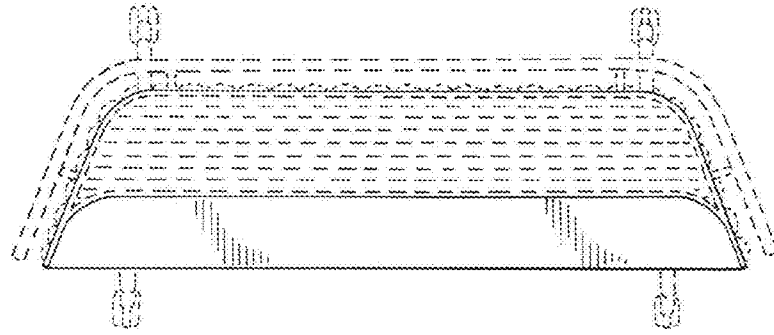


FIG. 4

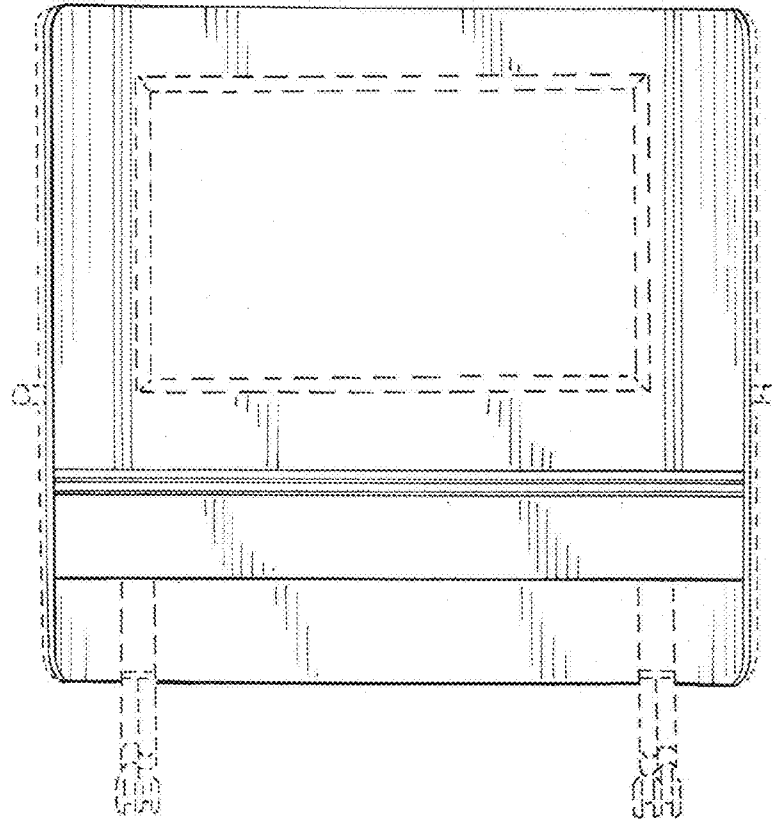


FIG. 5

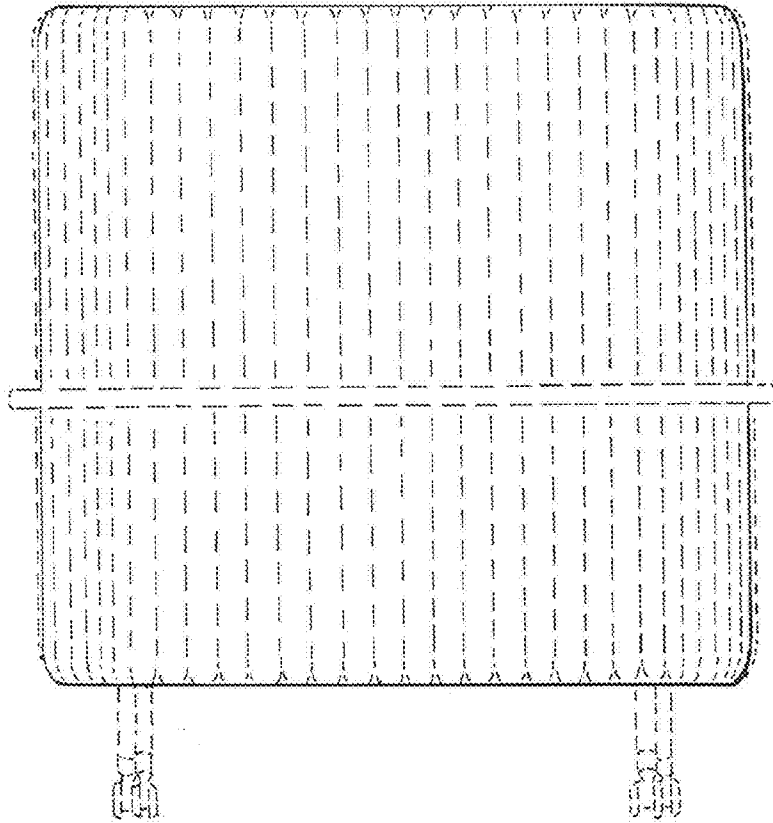


FIG. 6

