



US00D348535S

# United States Patent [19]

[11] Patent Number: **Des. 348,535**

**Burnett**

[45] Date of Patent: **\*\* Jul. 5, 1994**

[54] **ILLUMINATED RISING BUBBLE DISPLAY**

4,974,127	11/1990	Foley	.....	362/96
4,974,127	11/1990	Foley	.	
5,018,288	5/1991	Yang	.	
5,037,140	8/1991	Anderson	.	
5,106,660	4/1992	Vorel	.	

[75] Inventor: **Kenneth Burnett**, Lincolnwood, Ill.

[73] Assignee: **Midwest Tropical, Inc.**,  
Lincolnwood, Ill.

[\*\*] Term: **14 Years**

**FOREIGN PATENT DOCUMENTS**  
2393-385 2/1979 France .

[21] Appl. No.: **880,329**

### OTHER PUBLICATIONS

[22] Filed: **May 6, 1992**

Sales Brochure "Aquatic Concepts" Midwest Tropical, Inc., Lincolnwood, Ill., 1991.

[52] U.S. Cl. .... **D26/93; D20/10;**  
D16/106

Sales Brochure "Aquatic Concepts Water Panel II", Midwest Tropical, Inc., Lincolnwood, Ill. 1992.

[58] Field of Search ..... 362/410-414;  
40/406, 407; D26/93, 102-112; D20/10

*Primary Examiner*—Susan J. Lucas  
*Attorney, Agent, or Firm*—William Brinks Hofer Gilson & Lione

[56] **References Cited**

#### U.S. PATENT DOCUMENTS

1,926,240	9/1933	Maas .	
2,638,261	5/1953	Poole .	
3,101,564	8/1963	Stoessel .	
3,332,433	7/1967	Edmondson .	
3,355,056	11/1967	Fisch .	
3,711,698	1/1973	Hess .	
3,749,424	7/1973	Greene .	
3,762,082	10/1973	Mincy .	
3,964,194	6/1976	Gugeler	..... 362/964 X
4,190,312	2/1980	Bailey .	
4,208,848	6/1980	Kohl .	
4,352,149	9/1982	Stetler	..... 362/96
4,498,692	2/1985	Swanson .	
4,900,068	2/1990	Law .	
4,939,859	7/1990	Bradt	..... 40/406

[57] **CLAIM**

The ornamental design for an illuminated rising bubble display, as shown and described.

### DESCRIPTION

FIG. 1 is a front right perspective view of an illuminated rising bubble display that incorporates my new design; and,

FIG. 2 is a front view thereof;

FIG. 3 is a right side elevational view thereof;

FIG. 4 is a left side elevational view thereof;

FIG. 5 is a top view thereof; and,

FIG. 6 is a bottom view thereof.

The rear view of my new design is identical to FIG. 2.

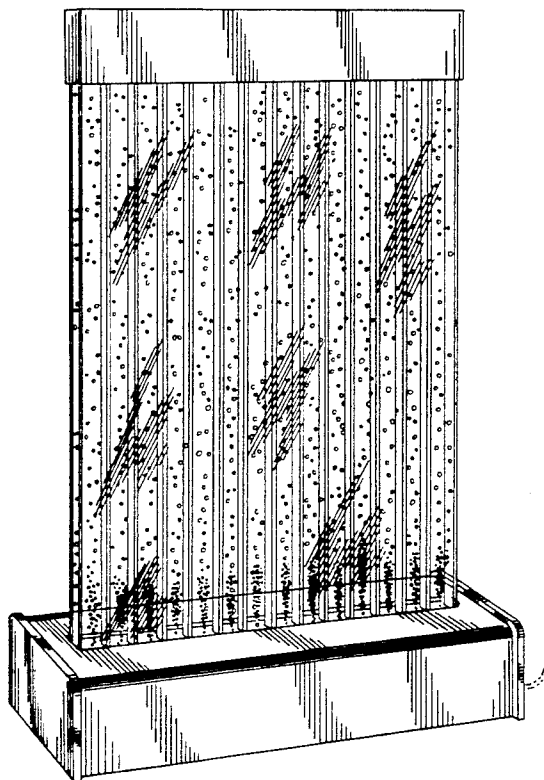


FIG. 1

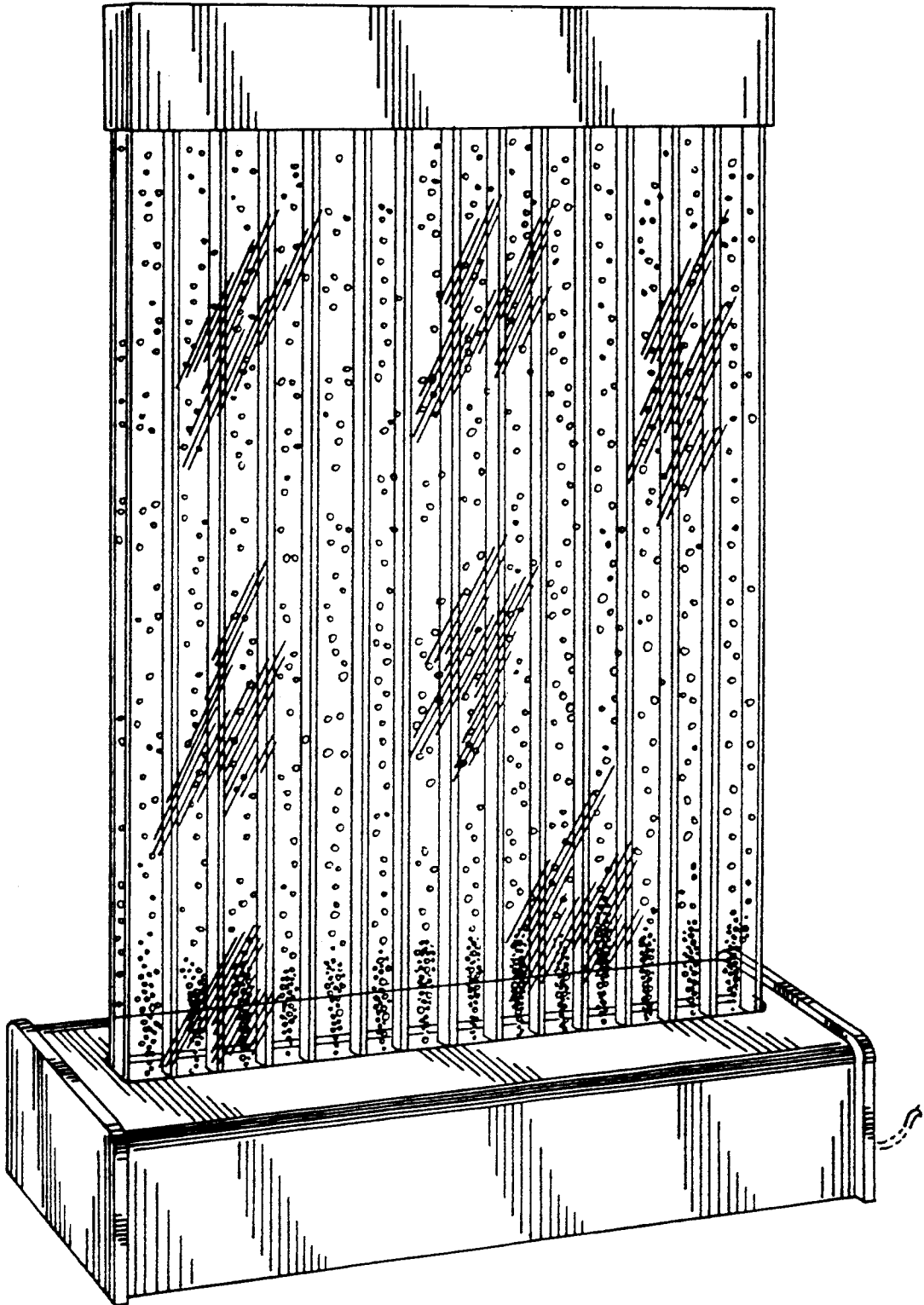


FIG. 2

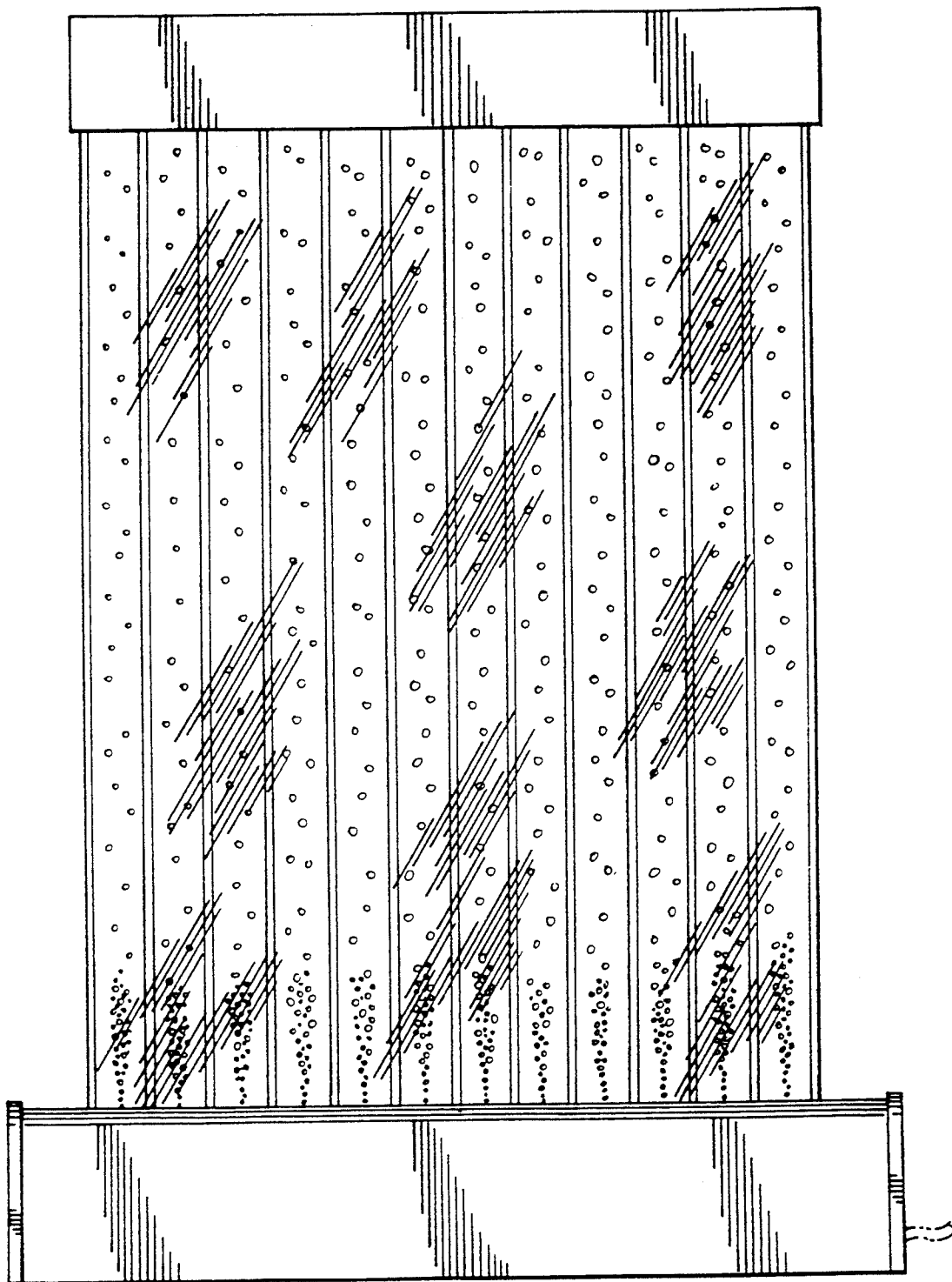


FIG. 3

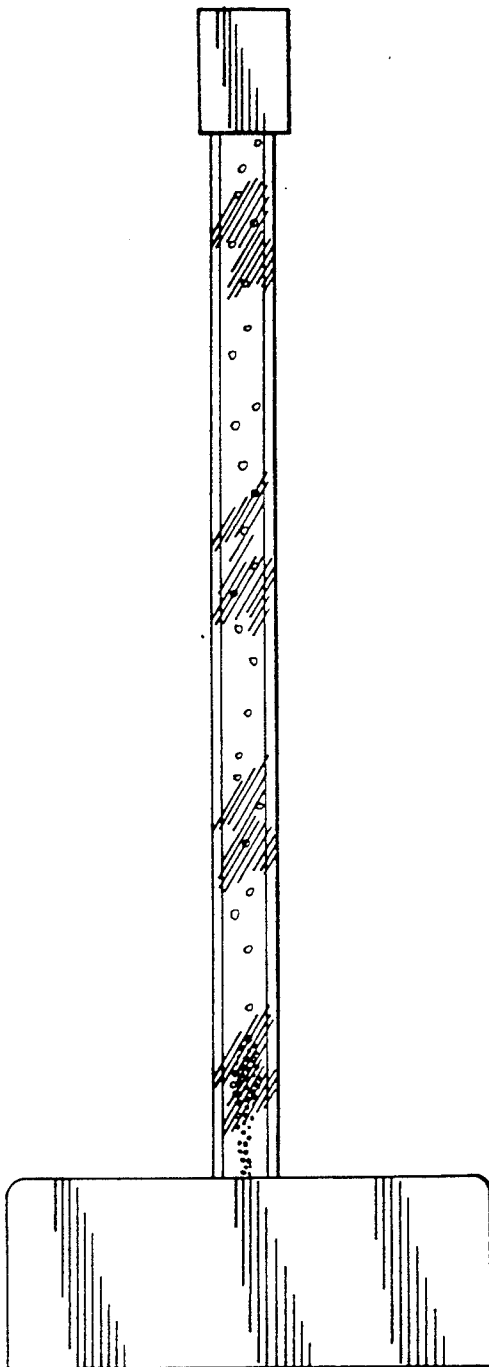


FIG. 4

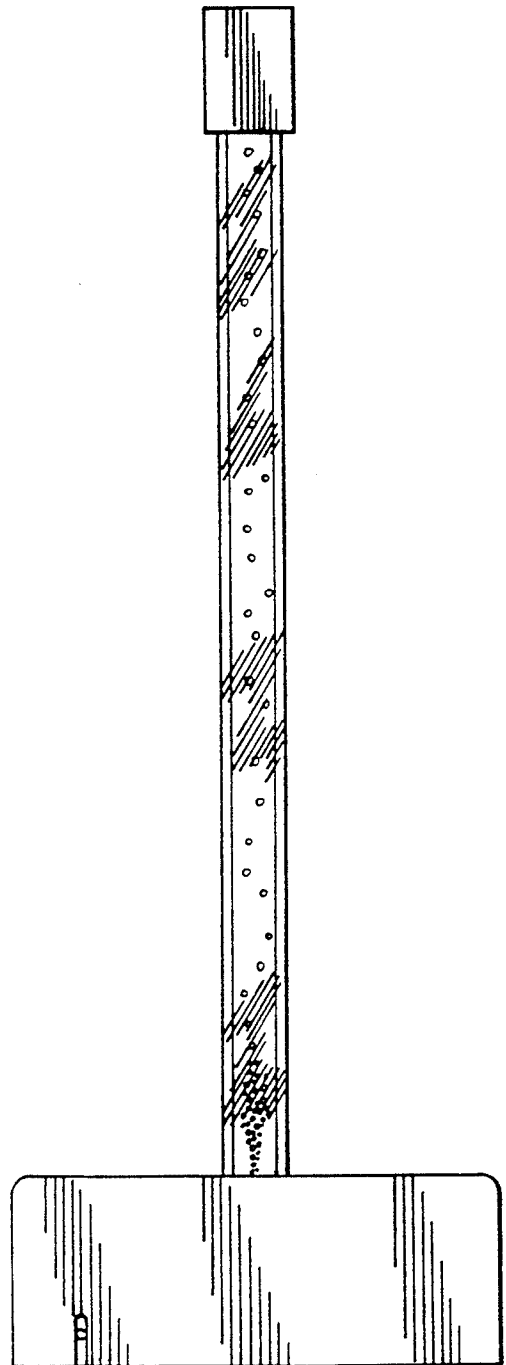


FIG. 5

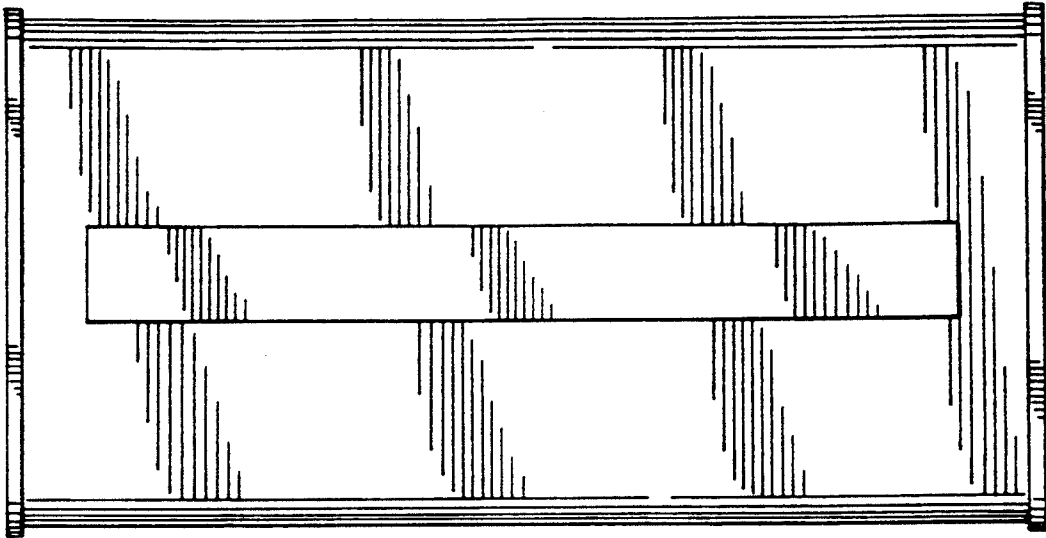


FIG. 6

