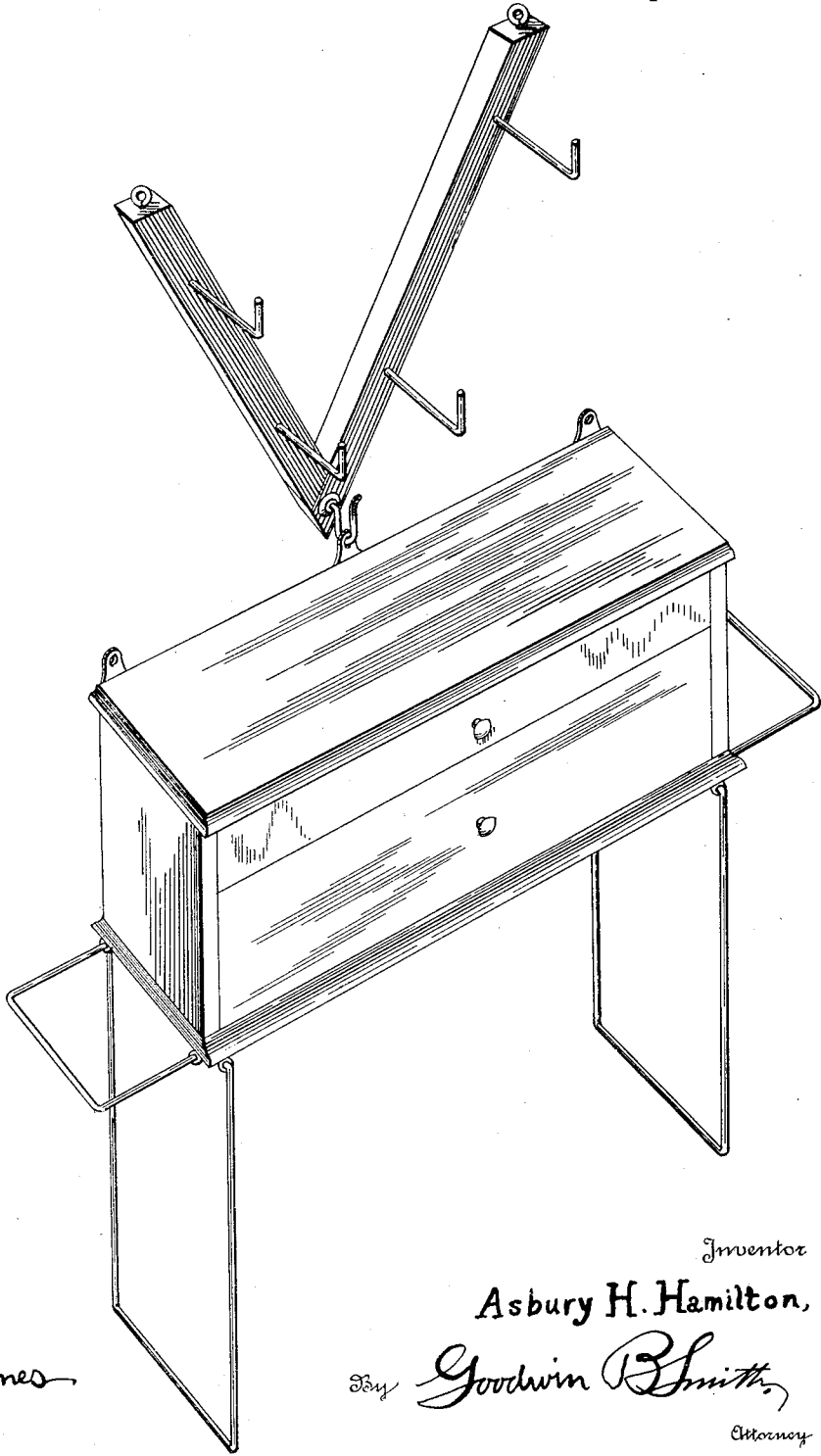


DESIGN.

A. H. HAMILTON.
COMBINATION DRESSER.
APPLICATION FILED MAY 24, 1915.

47,818.

Patented Sept. 14, 1915.



Witnesses
L. B. James

Inventor
Asbury H. Hamilton,
By *Goodwin B. Smith,*
Attorney

UNITED STATES PATENT OFFICE.

ASBURY H. HAMILTON, OF BROOKLYN, NEW YORK.

DESIGN FOR A COMBINATION-DRESSER.

47,818.

Specification for Design.

Patented Sept. 14, 1915.

Application filed May 24, 1915. Serial No. 30,205. Term of patent 7 years.

To all whom it may concern:

Be it known that I, ASBURY H. HAMILTON, a citizen of the United States, residing at Brooklyn, in the county of Kings and State of New York, have invented a new, original, and ornamental Design for Combination-Dressers, of which the following is a specification, reference being had to the accompanying drawing, forming part thereof.

The figure is a perspective view of a combination dresser, showing my new design.

I claim:

The ornamental design for a combination dresser, as shown.

ASBURY H. HAMILTON.

Witnesses:

ARTHUR C. KING,
JAMES WHIDBEE.

Copies of this patent may be obtained for five cents each, by addressing the "Commissioner of Patents, Washington, D. C."