



US00D458401S

(12) **United States Design Patent** (10) **Patent No.:** **US D458,401 S**  
**Diffrient** (45) **Date of Patent:** **\*\* Jun. 4, 2002**

(54) **PARALLEL ARM LAMP**

(75) Inventor: **Niels Diffrient**, Ridgefield, CT (US)

(73) Assignee: **Soft/View Computer Products Corp.**,  
New York, NY (US)

(\*\*) Term: **14 Years**

(21) Appl. No.: **29/141,174**

(22) Filed: **May 1, 2001**

(51) **LOC (7) Cl.** ..... **26-05**

(52) **U.S. Cl.** ..... **D26/60**

(58) **Field of Search** ..... D26/51, 60, 63,  
D26/65; 362/269, 396, 410, 413, 418, 419,  
427

(56) **References Cited**

**U.S. PATENT DOCUMENTS**

D319,889 S \* 9/1991 Zu ..... D26/51  
D378,859 S \* 4/1997 Yumita et al. .... D26/65  
D385,052 S \* 10/1997 Huang ..... D26/60

\* cited by examiner

*Primary Examiner*—Marcus A. Jackson  
(74) *Attorney, Agent, or Firm*—Coudert Brothers LLP  
(57) **CLAIM**

The ornamental design for a parallel arm lamp, as shown and described.

**DESCRIPTION**

FIG. 1 is an elevation view of a parallel arm lamp showing my new design, with the broken lines showing for illustrative purposes only and forming no part of the claimed design;  
FIG. 2 is a rear view of a parallel arm lamp showing my new design;  
FIG. 3 is a first side view of a parallel arm lamp showing my new design;  
FIG. 4 is a front view of a parallel arm lamp showing my new design;  
FIG. 5 is a second side view of a parallel arm lamp showing my new design;  
FIG. 6 is a top view of a parallel arm lamp showing my new design; and,  
FIG. 7 is a bottom view of a parallel arm lamp showing my new design.

**1 Claim, 6 Drawing Sheets**

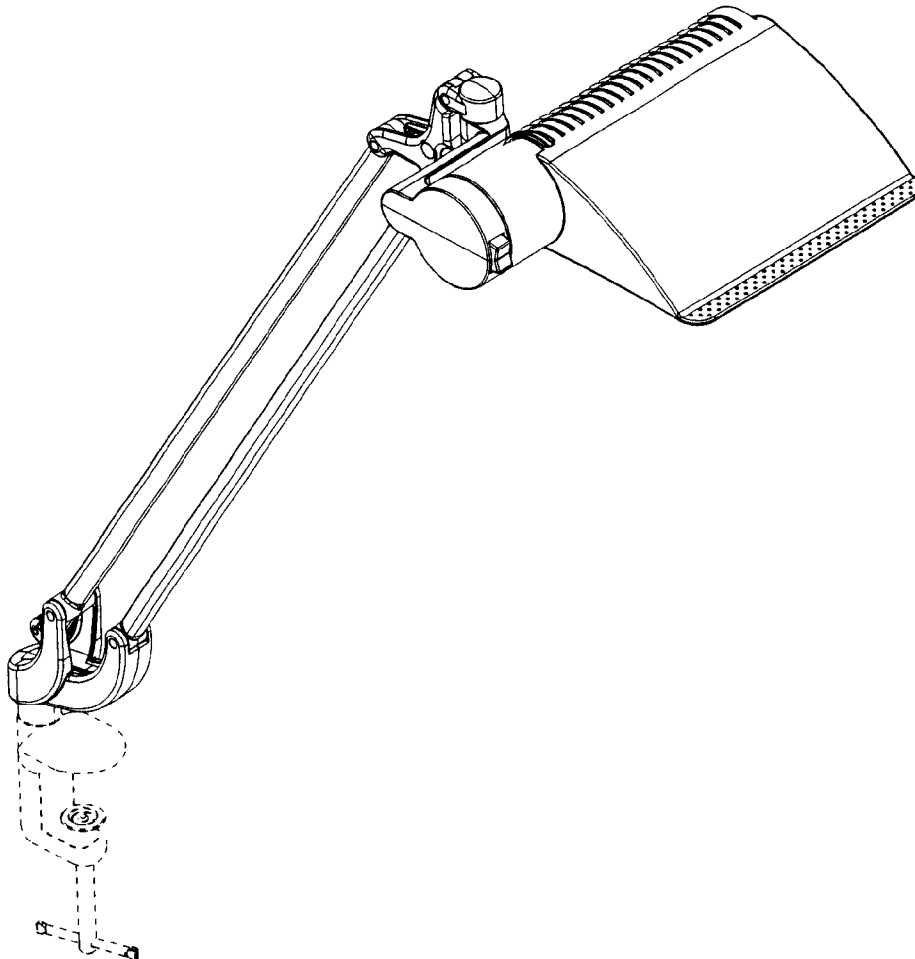


FIG. 1

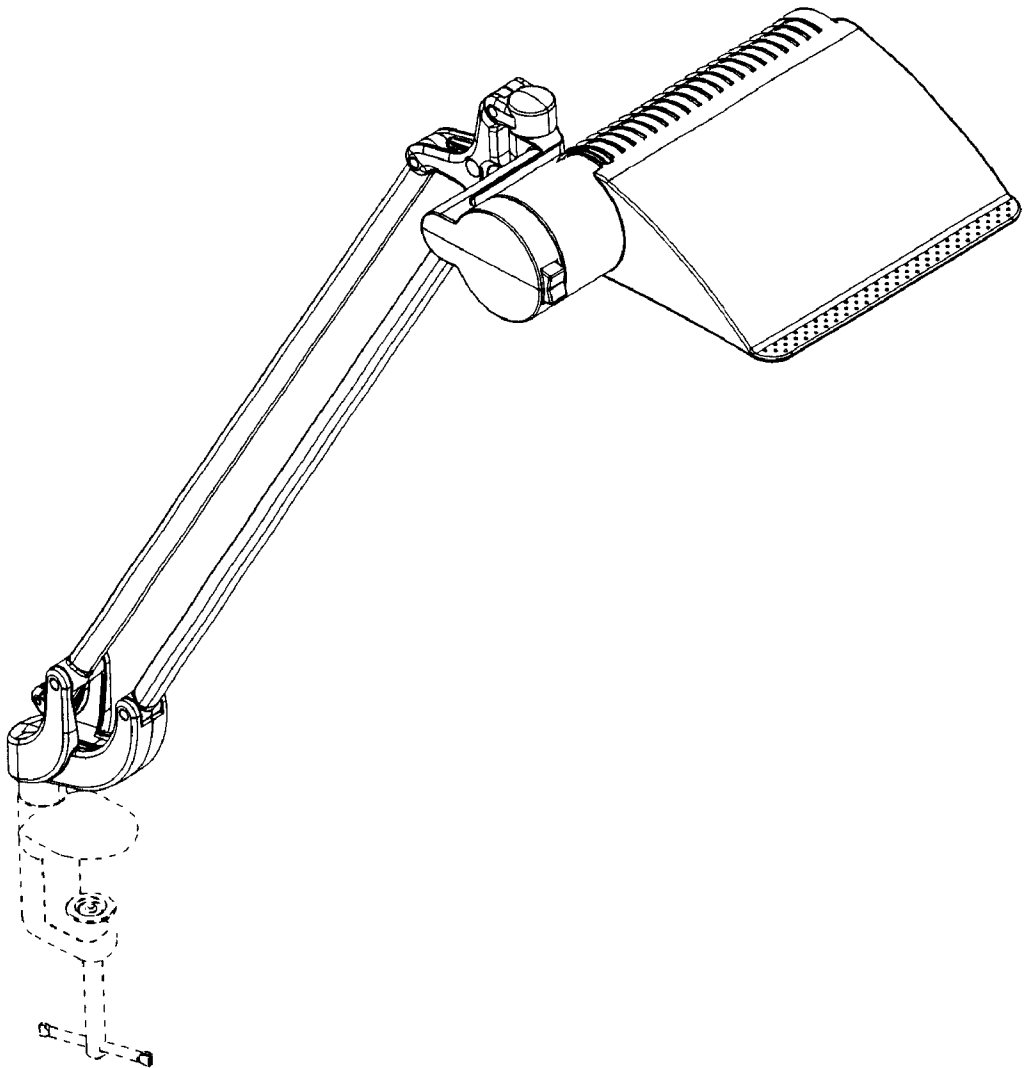


FIG. 2

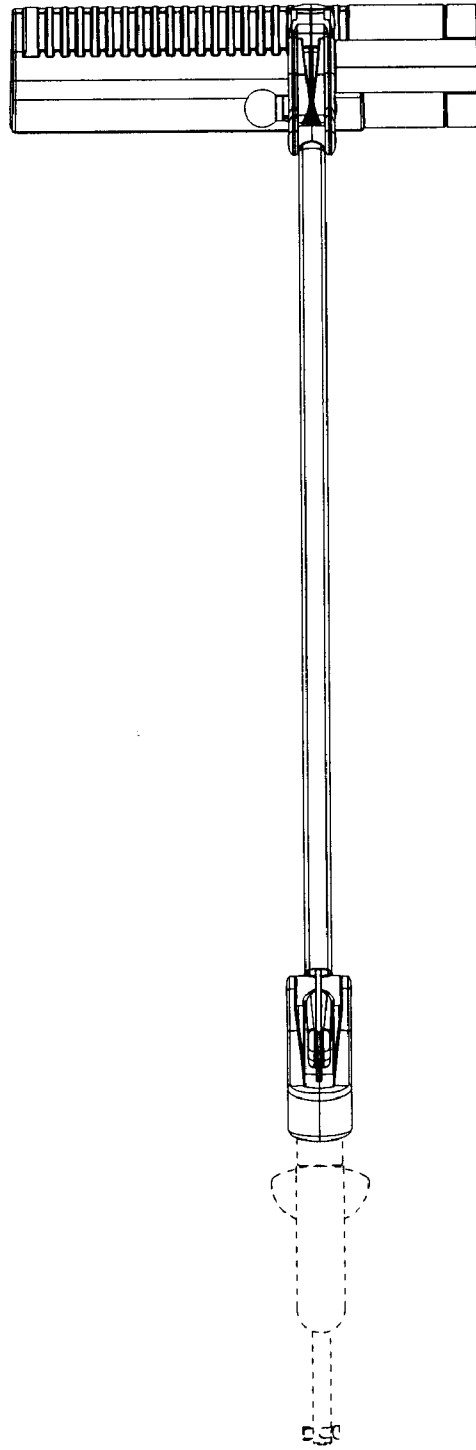


FIG. 3

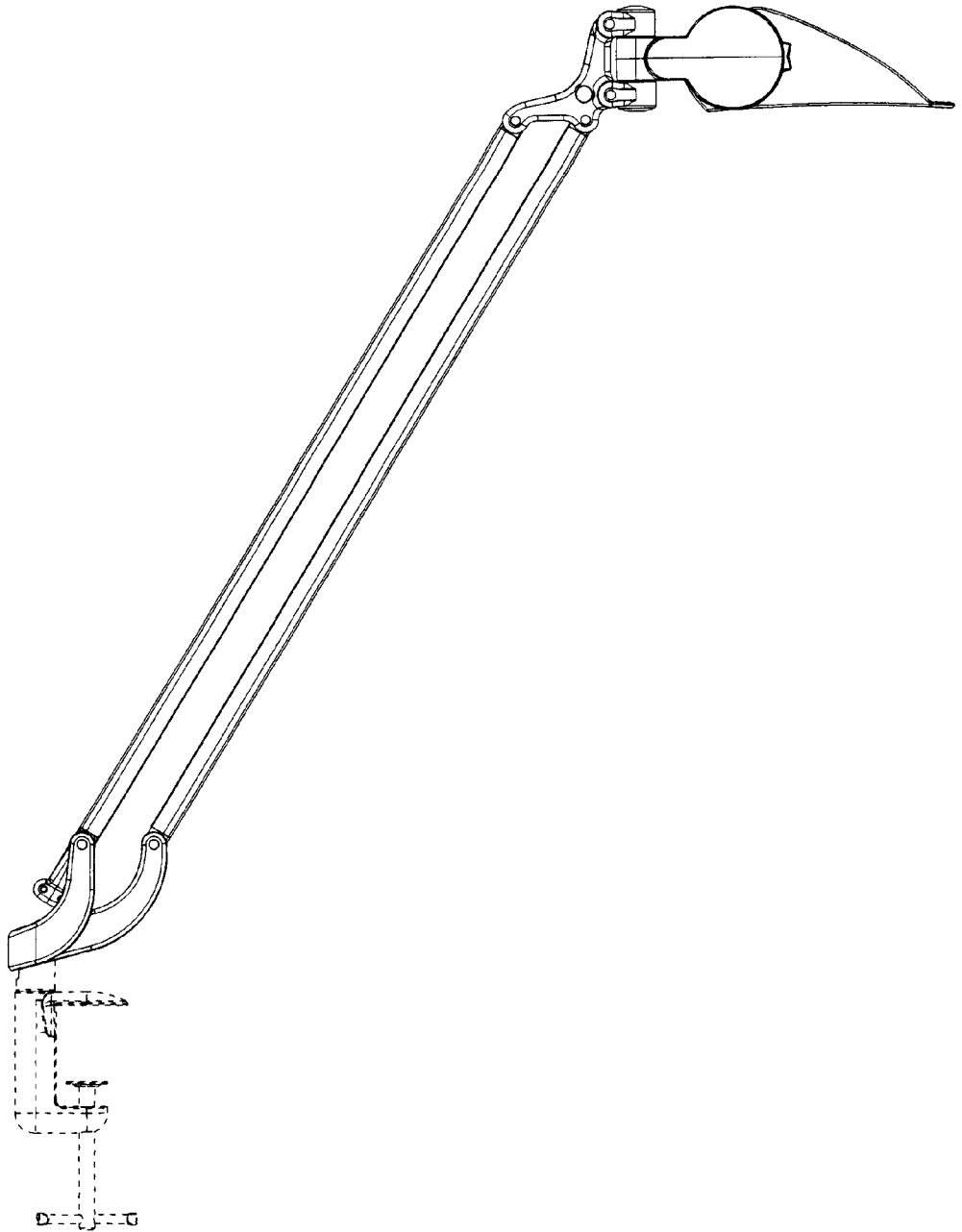


FIG. 4

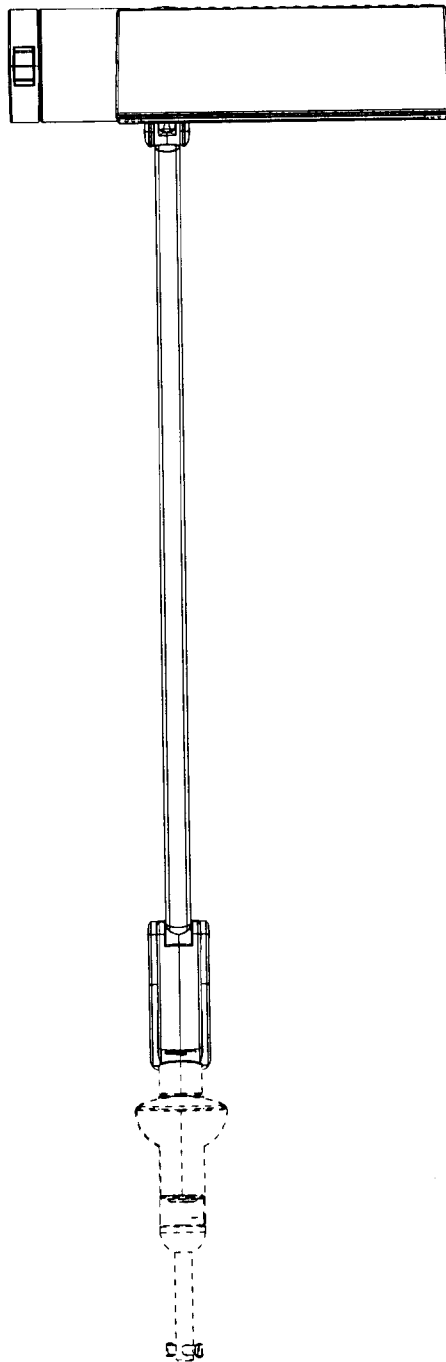


FIG. 5

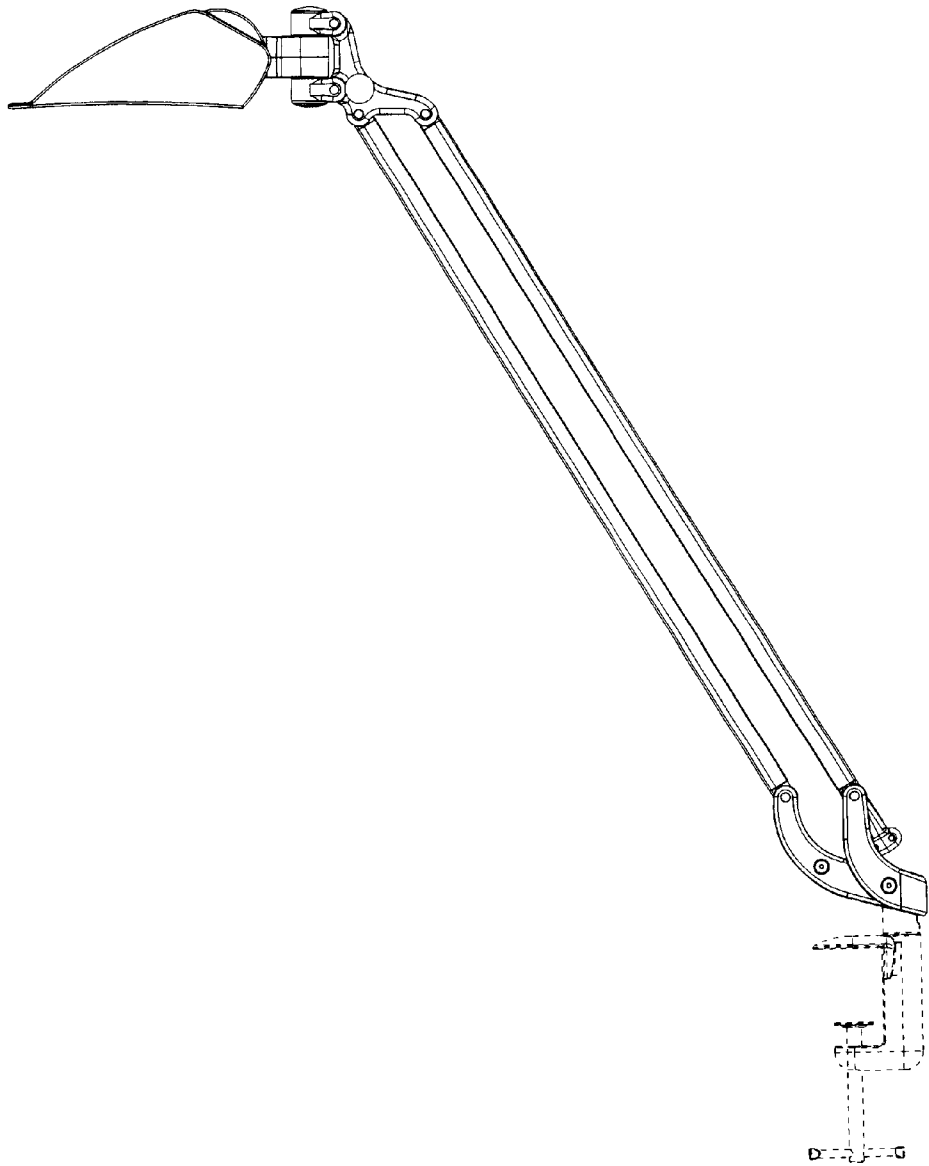


FIG. 6

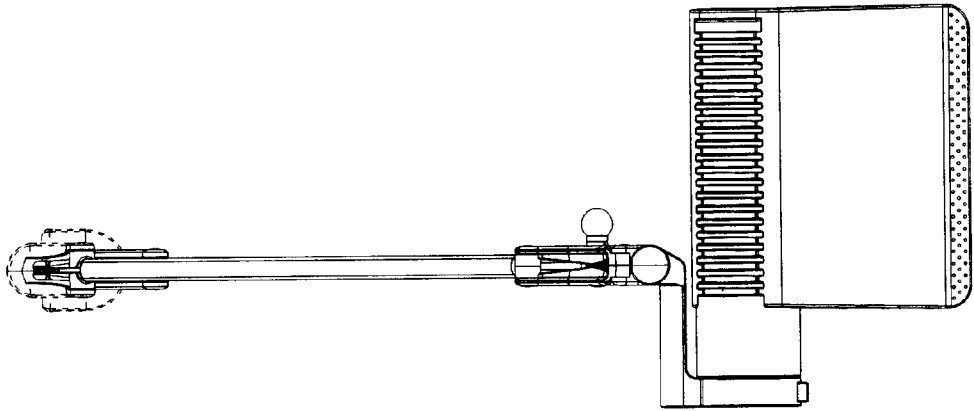


FIG. 7

