



US00D826222S

(12) **United States Design Patent** (10) **Patent No.:** **US D826,222 S**
Seo et al. (45) **Date of Patent:** **** Aug. 21, 2018**

(54) **STAND FOR TV RECEIVER**

(56) **References Cited**

(71) Applicant: **LG ELECTRONICS INC.**, Seoul (KR)

U.S. PATENT DOCUMENTS

(72) Inventors: **Minji Seo**, Seoul (KR); **Sangik Lee**, Seoul (KR); **Byungmu Huh**, Seoul (KR)

| | | | | | | |
|-----------|----|---|---------|----------|-------|-------------------------|
| D393,461 | S | * | 4/1998 | Goto | | D14/126 |
| D416,549 | S | * | 11/1999 | Coster | | D14/126 |
| D482,039 | S | * | 11/2003 | Chen | | D14/447 |
| D533,170 | S | * | 12/2006 | Yamamoto | | D14/239 |
| D548,226 | S | * | 8/2007 | Ohba | | D14/239 |
| D548,228 | S | * | 8/2007 | Tanigawa | | D14/239 |
| D548,229 | S | * | 8/2007 | Tanigawa | | D14/239 |
| D548,486 | S | * | 8/2007 | Niitsu | | D6/675 |
| D549,673 | S | * | 8/2007 | Niitsu | | D14/126 |
| 7,287,729 | B2 | * | 10/2007 | Jung | | F16M 11/10 248/122.1 |
| D562,811 | S | * | 2/2008 | Asanunna | | D14/239 |
| D609,659 | S | * | 2/2010 | VanDuyn | | D14/126 |
| 7,748,680 | B2 | * | 7/2010 | Choi | | F16M 11/10 16/367 |
| D634,722 | S | * | 3/2011 | Kim | | D14/126 |
| D659,661 | S | * | 5/2012 | Lim | | D14/126 |
| D661,273 | S | * | 6/2012 | Chu | | D14/126 |
| D663,705 | S | * | 7/2012 | Park | | D14/126 |
| D663,729 | S | * | 7/2012 | Lee | | D14/374 |
| D671,084 | S | * | 11/2012 | Kim | | D14/126 |
| D675,175 | S | * | 1/2013 | Kim | | D14/126 |
| D681,614 | S | * | 5/2013 | Masui | | D14/239 |
| D691,102 | S | * | 10/2013 | Park | | D14/126 |
| D699,230 | S | * | 2/2014 | Chen | | D14/239 |

(73) Assignee: **LG ELECTRONICS INC.**, Seoul (KR)

(**) Term: **15 Years**

(21) Appl. No.: **35/503,004**

(22) Filed: **Nov. 15, 2016**

(80) **Hague Agreement Data**

Int. Filing Date: **Nov. 15, 2016**
Int. Reg. No.: **DM/093653**
Int. Reg. Date: **Nov. 15, 2016**
Int. Reg. Pub. Date: **May 19, 2017**

(30) **Foreign Application Priority Data**

May 24, 2016 (KR) 30-2016-0024862

(51) **LOC (11) Cl.** **14-03**

(52) **U.S. Cl.**
USPC **D14/239**
CPC **G06F 1/1601** (2013.01)

(58) **Field of Classification Search**
USPC D14/125-134, 239, 371, 136, 374-377,
D14/440, 450, 448, 336, 342, 159;
D21/329, 515, 577, 622, 333, 433, 448,
D21/452, 450, 331, 505
CPC ... G06F 1/1601; G06F 1/1643; H05K 5/0004;
H05K 5/0017; H05K 5/02; H05K 5/0217
See application file for complete search history.

(Continued)

Primary Examiner — Richard E Chilcot

(74) *Attorney, Agent, or Firm* — Birch, Stewart, Kolasch & Birch, LLP

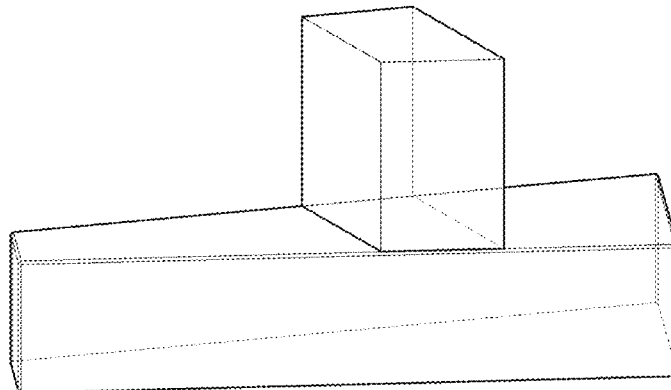
(57) **CLAIM**

The ornamental design for a stand for TV receiver, as shown and described.

DESCRIPTION

- 1. Stand for TV receiver
- 1.1 : Perspective
- 1.2 : Front
- 1.3 : Back
- 1.4 : Left
- 1.5 : Right
- 1.6 : Top
- 1.7 : Bottom

1 Claim, 7 Drawing Sheets



(56)

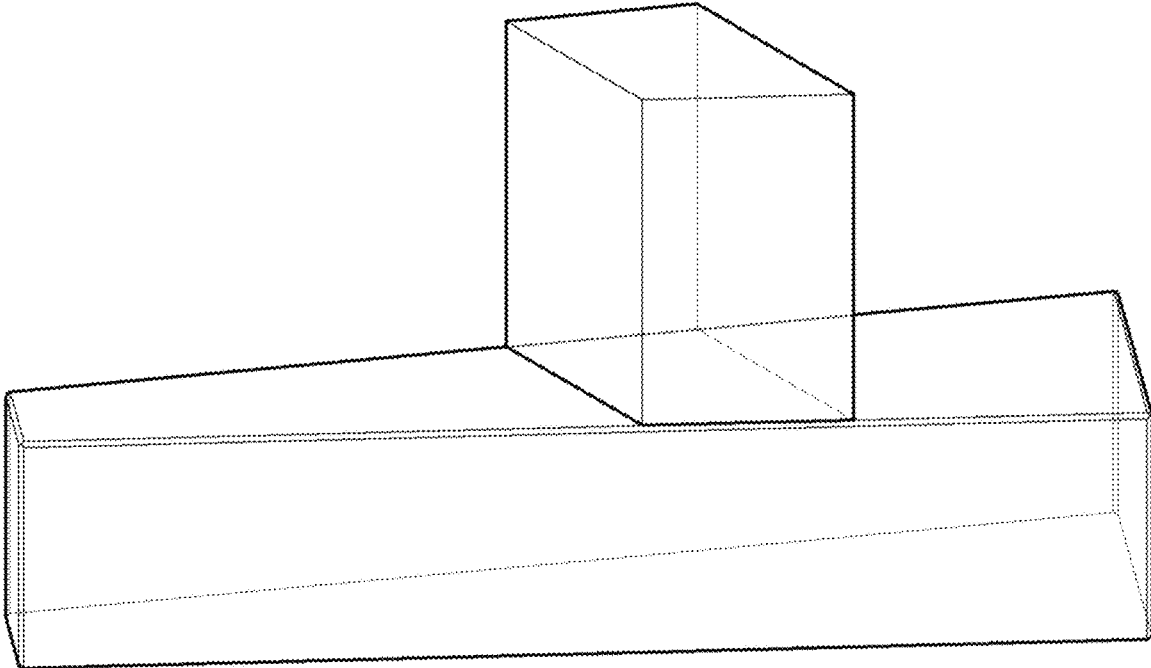
References Cited

U.S. PATENT DOCUMENTS

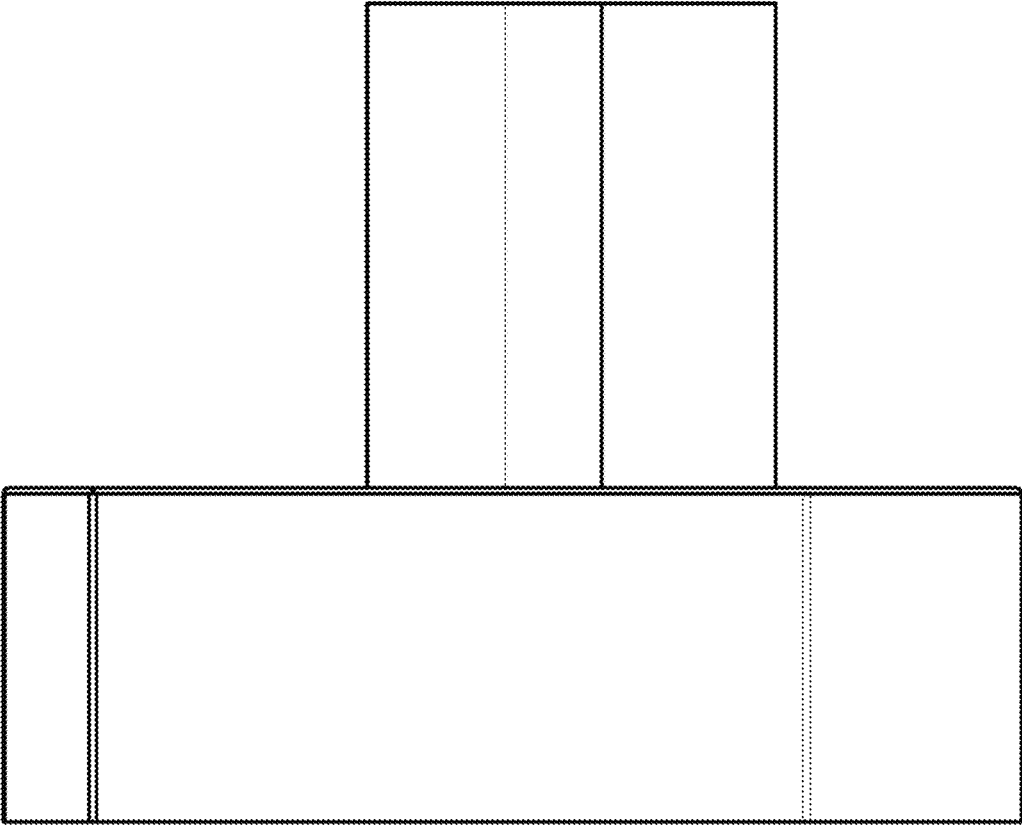
| | | | | | | |
|----------|---|---|---------|----------|-------|---------|
| D699,232 | S | * | 2/2014 | Jung | | D14/239 |
| D712,905 | S | * | 9/2014 | Miyazaki | | D14/447 |
| D728,537 | S | * | 5/2015 | Choi | | D14/239 |
| D735,154 | S | * | 7/2015 | Kim | | D14/126 |
| D737,258 | S | * | 8/2015 | Ryu | | D14/239 |
| D739,390 | S | * | 9/2015 | Lee | | D14/239 |
| D745,496 | S | * | 12/2015 | Gao | | D14/239 |
| D762,625 | S | * | 8/2016 | Yoo | | D14/126 |
| D768,119 | S | * | 10/2016 | Kim | | D14/239 |
| D805,504 | S | * | 12/2017 | Seo | | D14/239 |

* cited by examiner

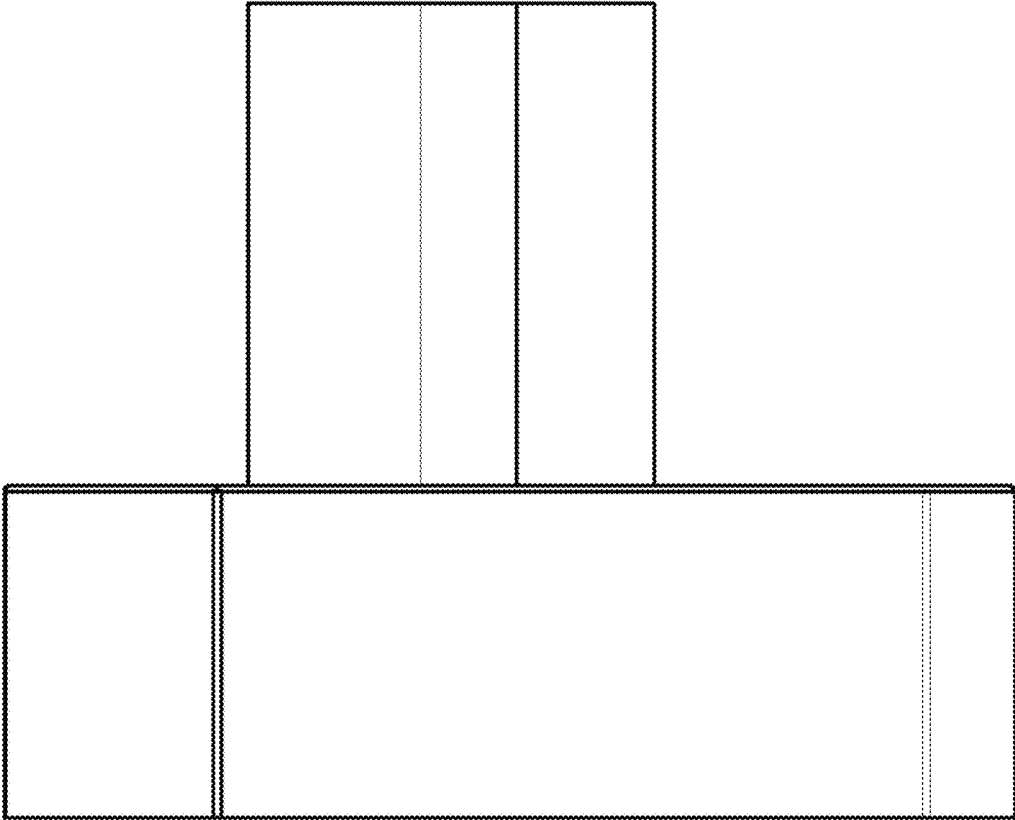
1.1



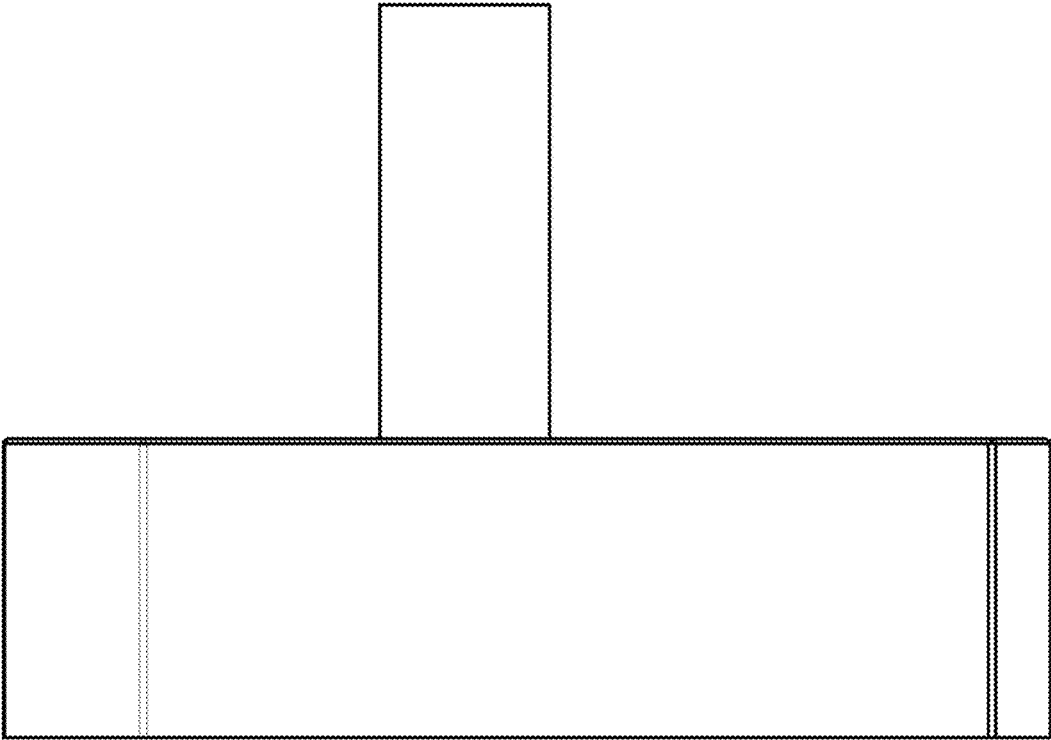
1.2



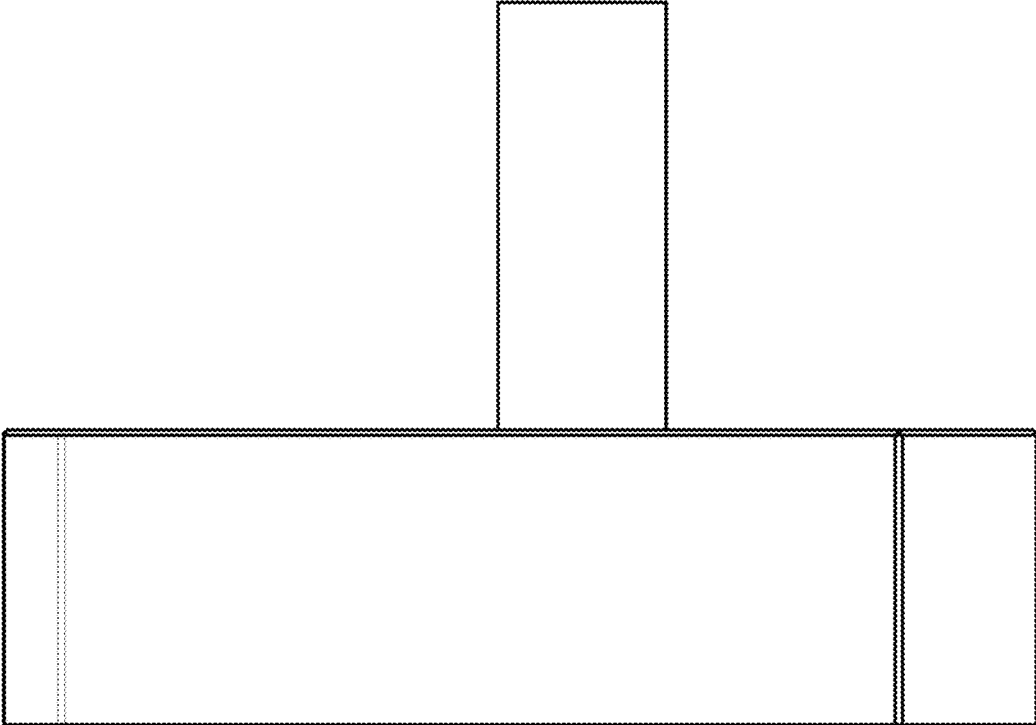
1.3



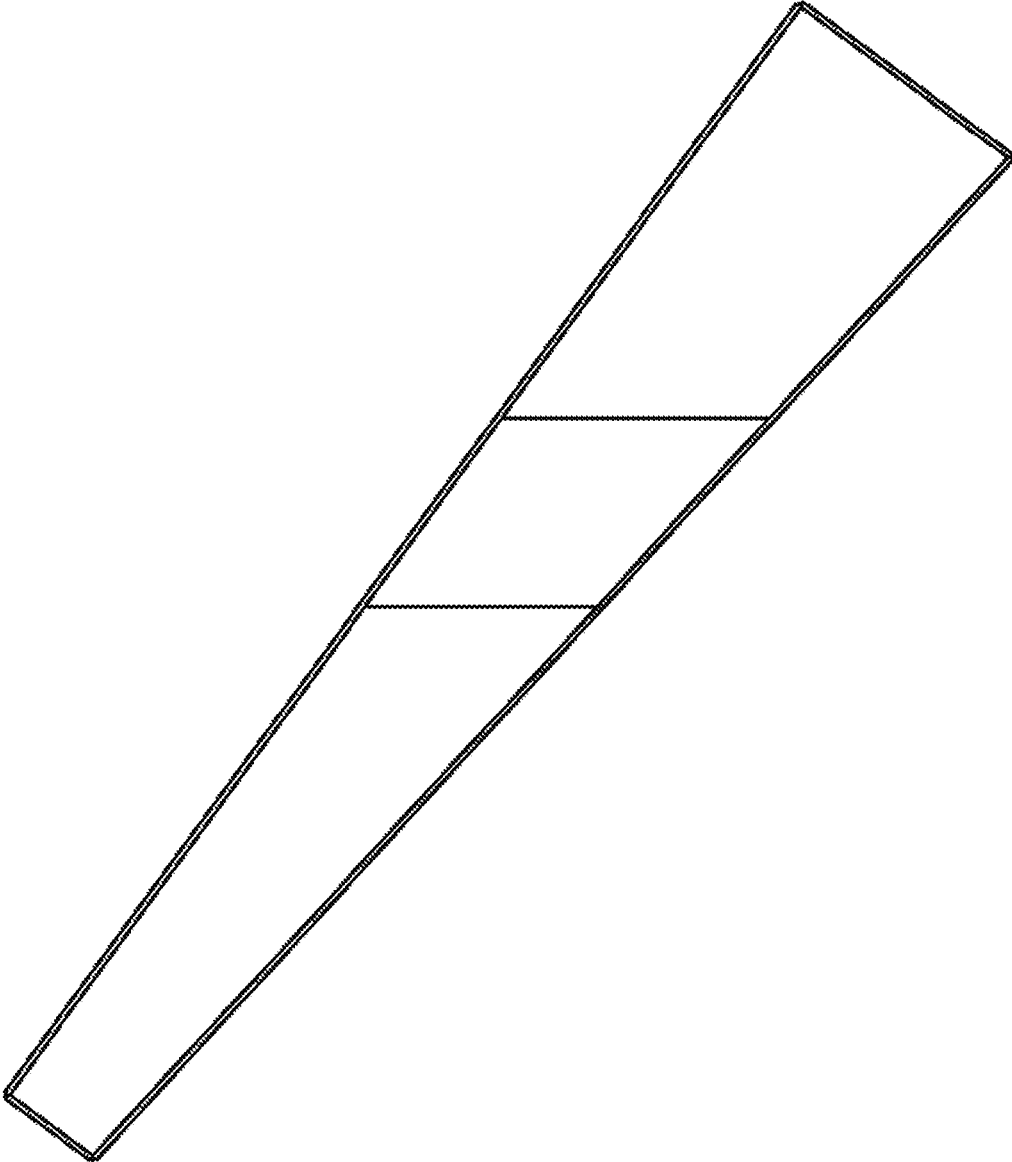
1.4



1.5



1.6



1.7

