

(12) INTERNATIONAL APPLICATION PUBLISHED UNDER THE PATENT COOPERATION TREATY (PCT)

(19) World Intellectual Property
Organization

International Bureau

(43) International Publication Date
01 August 2019 (01.08.2019)



(10) International Publication Number
WO 2019/145886 A1

(51) International Patent Classification:

A42B 3/00 (2006.01) G02B 27/01 (2006.01)
A62B 18/00 (2006.01) G02B 23/12 (2006.01)
H04N 5/33 (2006.01)

(21) International Application Number:

PCT/IB2019/050592

(22) International Filing Date:

24 January 2019 (24.01.2019)

(25) Filing Language:

English

(26) Publication Language:

English

(30) Priority Data:

00081/18 24 January 2018 (24.01.2018) CH

(71) Applicant: **DARIX SÀRL** [CH/CH]; Avenue de Morges
27, 1004 Lausanne (CH).

(72) Inventors: **VETTESE, Loris**; Rue de la Gare 15, 2345
La Chaux-des-Breuleux (CH). **PRICE, Jonathan**; Impasse
du Sablon 3, 1770 Grolley (CH). **BIRBAUMER, Adrien**;
Chemin de la Motte 18, 1018 Lausanne (CH). **BOSCH,**
Martinus; Avenue de Morges 27, 1004 Lausanne (CH).

(74) Agent: **P&TS SA (AG, LTD.)**; Av. J.-J. Rousseau 4, P.O.
Box 2848, 2001 Neuchâtel (CH).

(81) Designated States (unless otherwise indicated, for every
kind of national protection available): AE, AG, AL, AM,
AO, AT, AU, AZ, BA, BB, BG, BH, BN, BR, BW, BY, BZ,
CA, CH, CL, CN, CO, CR, CU, CZ, DE, DJ, DK, DM, DO,
DZ, EC, EE, EG, ES, FI, GB, GD, GE, GH, GM, GT, HN,

HR, HU, ID, IL, IN, IR, IS, JO, JP, KE, KG, KH, KN, KP,
KR, KW, KZ, LA, LC, LK, LR, LS, LU, LY, MA, MD, ME,
MG, MK, MN, MW, MX, MY, MZ, NA, NG, NI, NO, NZ,
OM, PA, PE, PG, PH, PL, PT, QA, RO, RS, RU, RW, SA,
SC, SD, SE, SG, SK, SL, SM, ST, SV, SY, TH, TJ, TM, TN,
TR, TT, TZ, UA, UG, US, UZ, VC, VN, ZA, ZM, ZW.

(84) Designated States (unless otherwise indicated, for every
kind of regional protection available):

ARIPO (BW, GH, GM, KE, LR, LS, MW, MZ, NA, RW, SD, SL, ST, SZ, TZ, UG, ZM, ZW), Eurasian (AM, AZ, BY, KG, KZ, RU, TJ, TM), European (AL, AT, BE, BG, CH, CY, CZ, DE, DK, EE, ES, FI, FR, GB, GR, HR, HU, IE, IS, IT, LT, LU, LV, MC, MK, MT, NL, NO, PL, PT, RO, RS, SE, SI, SK, SM, TR), OAPI (BF, BJ, CF, CG, CI, CM, GA, GN, GQ, GW, KM, ML, MR, NE, SN, TD, TG).

Published:

- with international search report (Art. 21(3))
- in black and white; the international application as filed contained color or greyscale and is available for download from PATENTSCOPE

(54) Title: HEAD-MOUNTABLE AUGMENTED VISION SYSTEM FOR DISPLAYING THERMAL IMAGES

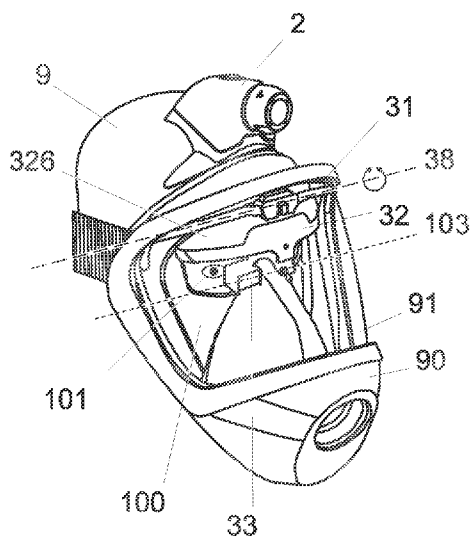


Fig.4d

(57) Abstract: The invention concerns an augmented vision system (1) comprising: a displaying device (3) comprising: a fixing element (31) for coupling the displaying device (3) to a head-mountable component (90) configured to be positioned in front of a face (102) of a user (100), and a display body (32) being coupled to said fixing element (31) by means of a pivoting link (321, 322, 323) providing a rotation of the display body with respect to the fixing element around a rotational axis (38); the display body (32) comprising a display (33) configured to display thermal data and/or images provided by a thermal sensing device (2); and a first surface portion (325) configured to enter into contact with a forehead of a user, when said head-mountable component (90) is positioned in front of the face of the user, so as to rotate the display body (32) to a predefined angular positioning (381) around the rotational axis (38).



WO 2019/145886 A1

Head-mountable augmented vision system for displaying thermal images

Field of the invention

[0001] The present invention concerns a head-mountable augmented vision system for displaying thermal data and/or images provided by a thermal sensing device.

[0002] In particular, the invention relates to an augmented vision system destined for users, notably specialists, operating in difficult and extreme environments provided with protective head coverings, such as firefighters, policemen/women and a rescuers.

Description of related art

[0003] There is an increasing interest in augmented vision (AV) systems for supporting users, notably specialists, in executing difficult up to dangerous tasks. Augmented Vision (AV), also called augmented reality (AR), provides a live direct or indirect view of physical, real world environment in which a view of some elements thereof are modified (augmented or even diminished) by computer-generated or extracted real-world sensory input. In particular, AV systems can provide less up to non-visible elements or hint (notably extracted and/or provided by sensors sensing the surrounding world) in the field of view of the user, for sake of efficiency and safety.

[0004] Specialists operating in difficult and extreme environments, such as firefighters, policemen/women and rescuers, are slowed downs in their operations by a poor visibility due to particular climatic events, weathers (e.g. fog), darkness as well as due to heavy smoke of fires.

[0005] US2014071294 describes a head-mounted sensing system for extreme environments that comprises a transparent display for displaying thermal data. The transparent display is mounted on an external surface of

a respiratory mask and it is configured to provide a vertically and horizontally moving of the image pixels for aligning the displayed image with the user's eye.

[0006] US2003058544 discloses a system for displaying infrared images reordered by a camera located on a helmet of the user. The images are displayed by means of projectors projecting images on partially transparent lens located in the field-of-view of the user.

[0007] US2016253561 describes a fireman's respiratory mask comprising a transparent display for displaying thermal data provided by a camera. The transparent display is mounted inside the visor of the fireman's respiratory mask.

[0008] However, known augmented vision (AV) systems suffer of important drawbacks, notably in terms of time-to-enabling (i.e. the time required to worn the mask and to adequately position the displaying images with respect to the eye of the user so as to making the AV system usable), lifetime, and sharing of the AV component with others users and/or others head covering.

[0009] The AV systems having displaying means mounted outside mask's protecting visor provide a short time-to-enabling because a fine tuning of displayed images is possible at any time, without to have to remove the mask. However, the manufacturing and the maintenance of these AV systems are more expensive as displaying means are constantly and repeatedly exposed to extremes conditions as unshielded by the mask.

[0010] The AV systems having displaying means fixed on internal surfaces of the mask's visor provide a protection against aggressive substances, heats and dusts. However, any adjustment of the positioning of the AV display requires a remove of the mask that negatively affects not only the time-to-enabling of the AV system but also a protection against potential harmful gas provided by air-tight masks.

[0011] Moreover, these AV systems require mechanical modifications and adaptations of the mask's frame, rendering difficult up to impossible not only a sharing of the head-mounted AV system between distinct users but also a use of a same AV system with various head-mounting elements.

[0012] US2015302654 describes a thermal imaging system mounted on a goggle-type structure. However, goggle-based AV systems are felt as uncomfortable by users having to wear masks for long intervention due to a prolonged pressure carried out by the goggle being pushed against the face by the mask. Moreover, such goggle-based AV systems are incompatible with facial-type air-tight masks.

Brief summary of the invention

[0013] The aim of the invention is to resolve, or at least mitigate, the drawbacks of known AV systems.

[0014] A particular aim of the invention is to provide a cost-effective and rapidly enabling AV system.

[0015] Another particular aim of the invention is to provide an AV system being comfortably usable in cooperation with air-tight masks for prolonged interventions.

[0016] According to the invention, these aims are achieved by means of the augmented vision system of claim 1 and the method of claim 22. Dependent claims describe particular embodiments of the invention.

[0017] The proposed solution provides a repeatable positioning of the display with respect to the eye of the user when the user positions the head-mountable component in front of his face. The repeatable angular positioning provided by a contact between the first surface portion and the forehead of the user, not only provides a fast time-to-enabling, but also provides a better comfortability when used in combination with air-tight masks being strongly pushed against the face. In fact, with respect to other

facial regions being used as contact surfaces, e.g. the nose and of the eye's region, the larger surface provided by the forehead as well as his lack of soft tissues and cartilages provide a better repartitions of pressure and smaller sensitivities against prolonged pressures.

[0018] In an embodiment, the displaying device is configured to rotate the display body for pushing the first surface portion against the forehead of the user, when the head-mountable component is positioned in the face of the user. This rotation provides retention of the display body at the predefined angular positioning around the rotational axis, notably in case negatively affecting accelerations and/or vibrations of the head-mountable component.

[0019] The retaining rotation can be provided by gravity and/or by an elastic force.

[0020] In one embodiment, the display device is configured for rotating the display body (with respect to the fixing element) by gravity so as to move the first surface far away from the head-mountable element (on which the display device is fixed), when the head-mountable component is not positioned in the front of the face but positioned and/or hold in a similar position.

[0021] Alternatively or complementarily, the displaying device comprises an elastic element providing an elastic force operating between the display body and the fixing element for rotating the display body so as to push the first surface against the forehead of the user, when the head-mountable component is positioned in front of the face of the user.

[0022] Alternatively or complementarily, the displaying device can be configured to retain the display body at the predefined angular positioning by means of a second surface portion configured to enter in contact with a portion of the fixing element, when the head-mountable component is positioned in front of the face of the user. Advantageously, the second surface is located at an opposite side with respect to the first surface so as

the forces generated by contacts with the forehead and with the fixing element are oriented in opposed either inclined or parallel directions.

[0023] Advantageously, for comfortability sake, the displaying body can comprise a resilient portion operating between the first and the second surface for resilient adapting a distance between them, notably the shortest distance between these surfaces. This permit a comfortable use of the proposed solution with airtight masks that require to be strongly pushed against the face of the user, e.g. by means of elastic band, strap or elements destined to cooperate with the nape of the user or coupled to the protecting helmet of the user.

[0024] In a preferred embodiment, the displaying device comprises an adjusting mechanism for providing a relative translation of the first surface portion with respect to the fixing element.

[0025] The adjusting mechanism provides an adaptation of the relative positioning of the display with respect to the eye of the user by modifying (adjusting) the angular positioning of the display body around his rotational axis when the head-mountable component is positioned in front of the face of the user, taking into account the peculiarity of the user, notably his facial features and/or the way to positioning the head-mountable element.

[0026] In case of a head-mountable component being an airtight mask destined to be pushed against the face of the user, the adjusting mechanism also provides an adjustment of the pressure carried out by the first surface on the forehead when the airtight mask is worn by the user.

[0027] Moreover, the adjusting mechanism provides an easy sharing of the same displaying device within a plurality of users, as permitting to adapt it according to the peculiarity of each of these users.

[0028] In one embodiment, the adjusting mechanism is configured to indicate a plurality of discrete positions along the translation axis. This

embodiment provides a more rapid and easy sharing of the same displaying device within a plurality of users. In fact, each user can simply translate the displaying body to one of such positions that has been previously identified (notably during a dead time or a system setting up) as providing them a desired positioning of the camera and/or a desired comfort.

[0029] In one embodiment, the displaying device is detachable from the fixing element. Alternatively or complementarily, the thermal camera is detachable from the head-mountable base.

[0030] These configurations provide a selective use of the same display body and/or the same thermal camera with a plurality of distinct head-mountable elements and/or head covering, each being (pre-) equipped with a fixing element and/or a head-mountable base of the augmented vision system.

[0031] In one embodiment, the augmented vision system comprises a camera adjusting mechanism for adjusting a sensing orientation of the thermal camera with respect to the head-mountable base. This embodiment provides the user to correlate the displayed image with viewed objects in field-of-view, without to have to remove of the mask.

Brief Description of the Drawings

[0032] The invention will be better understood with the aid of the description of an embodiment given by way of example and illustrated by the figures, in which:

Fig. 1 shows a view of an embodiment of an augmented vision system coupled to a protecting helmet with a mask worn by a user, according to the invention;

Fig. 2 shows a view of the thermal sensing device and the displaying device of the augmented vision system of figure 1;

Figs. 3a-e show steps of a coupling of the display body with the fixing element of the displaying device of Fig.1;

Figs. 4a-d show steps of an installation procedure of the displaying device with the mask of Fig.1;

Figs. 5a-d show steps of a coupling of the thermal sensing device of Fig.1 on an helmet;

Fig. 6 shows a view of components of the thermal sensing device of figure 1;

Fig. 7 shows a view of components of the displaying device of figure 1;

Figs. 8-11 show others embodiment of the displaying device, according to the invention.

Detailed Description of possible embodiments of the Invention

[0033] Figures 1 and 2 show an exemplary embodiment of an augmented vision (AV) system 1 for providing a user with thermal data and/or images about elements of a physical, real world environment. The user can be a specialist operating in difficult and extreme environments, such as a firefighter, a soldier, a policeman/woman and a rescuer, up to a driver, a pilot. The user can be an ordinary person, such a sportsman/woman, a cyclist and a walker, recreationally acting and/or moving in a poor visibility environment, notably in raison of particular climatic events, weathers (e.g. fog), or darkness.

[0034] The AV systems 1 is advantageously configured to provide a series of thermal data and/or thermal images 331, by means of a thermal sensing device configured to sense a temperature of an element (i.e. a degree or an intensity of heat present in said element) of a physical, real world environment where the user is operating.

[0035] Advantageously, the thermal sensing device comprises a thermal camera 221 sensing a grid of temperatures of objects within his field-of-view (according to a sensing orientation 223) so as to deliver an image (i.e. a 2-dimensional array or grid representation) of sensed temperatures. Advantageously, the AV systems 1 can be configured to display an image where given sensed temperatures degree or intensities are represented by distinct colors or grey levels.

[0036] Preferably, the thermal camera 221 provides a series of images in a continuous way (e.g. at an image rate of at least 10 images/s, preferably of more than 30 images/s) for augmenting non-visible or less visible elements in the field of view of the user, for sake of efficiency and safety.

[0037] The augmented vision system 1 comprises a displaying device 3 destined to be mount on a head-mountable component 90, the head-mountable component being configured to be positioned in front of a face of a user 100.

[0038] The displaying device 3 comprises a display 33 configured to display a thermal data and/or a thermal image 331 provided by the thermal sensing device 2 (notably by the thermal camera 221 thereof).

[0039] Advantageously, the thermal sensing device 2 of the AV systems 1 is a head-mountable thermal sensing device. The thermal sensing device can be a standalone thermal sensing device that configured to be fixed directly to the head of the user e.g. by means of elastic bands or grids. Alternatively or complementarily, the thermal sensing device is configured to be fixed to (or it is part of) a head covering, generally a protective head covering 9, as the exemplary embodiment of Figure 1.

[0040] The thermal sensing device, when coupled to the head of the user, permits not only hands-free operations but also to sense temperatures of objects along a sensing orientation 223 following the orientation of the face of the user.

[0041] Preferably, the thermal sensing device 2 is configured to provide thermal data and/or thermal images to the display 33 by means of a wireless link 4.

[0042] In the exemplary embodiment of Fig.1, the head-mountable component is an airtight mask 90 coupled to a protective helmet 9 worn by a user 100. The head-mountable component can be any component configured, destined or suitable to be positioned in front of a face of a user, e.g. for sake of security, comfort, sport, and/or of entertainment. The head-mountable component can be configured to be positioned in front of the face of the user with or without a direct contact with a portion of the face. The head-mountable component can be configured, destined or suitable to enter in contact with a portion of the face and/or the head of the user. The head-mountable component can thus be pushed against and/or posed by gravity on a portion of the face of the user, such as an eyewear and a mask. Alternatively, the head-mountable component can be configured, destined or suitable to be coupled to the head of the user (directly or through a head covering) so as to be retained in front of the face of the user in a contactless way, such a face shield or a visor of a head covering.

[0043] The displaying device 3 comprises a fixing element 31 for coupling the displaying device 3 to the head-mountable component 90, as illustrated in figures 1 and 3a-e. The fixing element 31 is advantageously configured to be removably attachable to the head-mountable component 90, preferably without tools. The removably fixing element permits a complete removal of the displaying device 3 from the head-mountable component for sake of maintenances and/or reparation. The removably fixing element permits, in particular, a washing and/or a sterilization of the head-mountable component alone by means of fluids and/or by heating process potentially damaging components of the displaying device 3.

[0044] The displaying device 3 also comprises a display body 32 supporting a display 33 configured to display thermal data and/or images 331 provided by the thermal sensing device 2. The display body 32 is

coupled to the fixing element 31 by means of a pivoting link 321, 322, 323 providing a rotation of the display body with respect to the fixing element around a rotational axis 38. Advantageously, the pivoting link provides a free rotation of the display body of an angle up to 45° (preferably within a range from 5° to 15°) round the rotational axis 38.

[0045] The pivoting link can be done by means of (relies on) magnets, plastic clips or other mounting/dismounting mechanism, with the purpose of providing a quick assembly while maintaining part or all of the rotational and adjustment components.

[0046] The display body comprises a surface portion 325 configured to enter in contact with a forehead of a user, when the head-mountable component 90 is positioned in front of the face of the user. The display body is then configured to impose a rotation of the display body 32 to a predefined angular positioning 381 around the rotational axis 38 with respect to the fixing element, when the surface portion 325 enters in contact with the forehead of the user.

[0047] This rotation to the predefined angular position provides a rapid and repeatable positioning of the display 33 with respect to the eye 101 of the user, using the forehead of the user as a spatial reference.

[0048] Preferably, the rotational axis 38 is substantially parallel to an imaginary line passing through the eyes 101 of the user (e.g. +/- 10°), when said head-mountable component 90 is positioned in front of the face of the user.

[0049] The illustrated display body is advantageously configured to rotate 382 the display body around the same rotational axis 38 so as to push the first surface portion 325 against the forehead of the user, when the head-mountable component is positioned in the face of the user. This rotation 382 operates against the rotation 383 produced by the contact between the display body and the forehead of the user. This leads to a retention of the display body at the predefined angular positioning 381,

notably in case of accelerations and/or vibrations affecting the head-mountable component (cf. Figure 3e)

[0050] The counter-rotation 382 can be provided by an elastic force operating between the fixing element and the display body and/or by gravity, i.e. by means of particular spatial repartitions of masses within the display body with respect to the pivoting link 321, 322, 323.

[0051] Figs. 3a-e and Figure 7 show an advantageously embodiment of the displaying device 3 having a display body being removably coupled with the fixing element. This embodiment permits to individually assign a display body to each specialist of a team while providing to the team a limited number of security helmets.

[0052] Advantageously, the displaying device 3 also comprises an adjusting mechanism 311, 321 providing a relative translation of said first surface portion 325 with respect to the fixing element 31.

[0053] The adjusting mechanism of the figures 3a-e comprises a slide link 311,321 providing a relative translation of the display body 32 with respect to the fixing element 31 along a translation axis 39. The translation axis 38 is perpendicular to the rotational axis 38 of the display body 32.

[0054] The adjusting mechanism provides an adaptation of the relative positioning of the display with respect to the eye of the user by modifying (adjusting) the angular positioning of the display body around his rotational axis- This permits to take into account the peculiarity of the user, notably his facial features and/or the way to positioning the head-mountable element.

[0055] The slide link 311,321 can be configured to indicate a plurality of discrete positions along the translation axis 39 so as to rapidly provide a repeatable positioning the display body 32 along the translation axis 39. Preferably, the slide link 311,321 is also configured to retain the display

body 32 in one of said plurality of discrete positions, e.g. by means of cooperating elements.

[0056] As illustrated in Figures 3a, the sliding guide 311 and of the slide 321 of the slide link can be provided through cooperating protuberances and recesses configured to generate a retaining force when the display body 32 is positioned at one of these discrete positions along the translation axis 39.

[0057] The magnitude of the force retaining the display body at the desired position is preferably within a range from 5 N to 50 N (i.e. $\text{m}\cdot\text{kg}\cdot\text{s}^{-2}$), preferably within a range from 10 N to 30 N. These magnitudes permit the user to insert and to move the display body 32 from one to another of these discrete positions along the translation axis 39 in response of a force applied by fingers of the user, i.e. without the use of tool.

[0058] The sliding guide 311 provides thus a rapid and easy coupling of the display body with the fixing element of the displaying device, as illustrated in figures 3a-e.

[0059] The coupling of the display body with the fixing element of the displaying device comprises a step of inserting the slide 312 within the sliding guide 311 of the displaying device 3 (Figures 3a-3b) up to the display body is positioned at the desired position along the translational axis 39 (Figure 3c). Advantageously, the desired position can be determined during a preliminary wearing procedure and/or validated by prior uses of the augmented vision system 1, enabling a more rapid coupling procedure.

[0060] As the display device 3 is configured to rotate the display body 32 with respect to the fixing element 31 by gravity and/or by an elastic element, once the display body 32 is coupled to the fixing element 31, the display body tends to rotate with respect to the fixing element 31 so as to move the first surface away from the fixing element, as schematically illustrated by the rotation 382 in Figure 3d.

[0061] A positioning the display device in front of the face 102 of the user leads thus to a rotation of the display body around a rotational axis 38 up to the desired angular position 381 with respect to the fixing element 31, as schematically illustrated by Figure 3e.

[0062] The use of the forehead of the user as a facial reference point also provides a better comfortability of the displaying device 3 when used in combination with an air-tight mask 90 being strongly pushed against the face, as illustrated in Figs 4a-d. In fact, with respect to other facial regions generally used as contact surfaces, e.g. the nose and of the eye's region, the larger surface provided by the forehead as well as his lack of soft tissues and cartilages provide a better repartitions of pressure and smaller sensitivities against prolonged pressures.

[0063] The display device 3 can comprise a support 328 for receiving user's lens 329, such as corrective lens and anti-fatigue lenses. Advantageously, the support 328 is also configured to support the display 33.

[0064] The display device can comprises an electronic circuit 327, notably for (wirelessly) receiving images from the thermal sensing device, processing these received images in particular for highlighting particular heat/cold element as well as to process images according to user's preferences and/or configurations, and to provide processed images to the display 33.

[0065] An exemplary method for coupling the augmented vision system 1 to a head covering is illustrated in figure Figs. 5a-d.

[0066] The initial step is to prepare the head-mountable component, i.e. the air-tight mask 90. This step comprises removably fastening the fixing element 31 to the air-tight mask 90 (Figure 4b). Then, the display body 32 is rotatably coupled to the fixing element 31 (Figure 4c). Notably, this step comprises steps of inserting the slide 312 within the sliding guide 311 up to

the display body 32 is relatively positioned at the desired position along the translational axis 39 with respect to the fixing element (Figure 3a-c).

[0067] Once the air-tight mask 90 is pushed against the face of the user, the first surface portion 325 will enter in contact to the forehead of the user leading to a rotation of the display body 32 to a predefined angular positioning 381 around the rotational axis. As previously described, a retention of the predefined angular positioning 381 can be provided by an elastic force operating between the fixing element and the display body and/or by gravity, so as to avoid rotational movements of the display body in response of accelerations and/or vibrations affecting the head-mountable component.

[0068] Alternatively or complementarily, the display body 32 can comprise a second surface portion 326 configured to enter in contact with a portion of the fixing element 31 and/or of the head-mountable component 90, when the head-mountable component 90 is positioned in front of the face of the user, as illustrated in exemplary embodiment of Figure 4d. Advantageously, the second surface 326 is (substantially) located at an opposite side with respect to the first surface 325 so as to generate a counter-force permitting to retain the body display at the predefined angular position, when the mask is pressed against the face of the user.

[0069] Advantageously, the display body 32 can also comprise a resilient portion operating between the first surface portion 325 and the second surface 326 for resilient adapting a distance between them, notably the shortest distance between these surfaces so as to reduce the pressure carried out by the display body to the forehead of the user.

[0070] This permits a comfortable use of the AV systems 1 with airtight masks being strongly pushed against the face of the user for providing airtight function.

[0071] The adjusting mechanism 311, 321 permits not only to repetatably positioning the display at a desired position with respect to the

eye of the user but also to adjust (notably reduce) the pressure transmitted to the forehead through the fixing element and/or this second surface 326.

[0072] Advantageously, the display 33 is pivotally mounted on the display body 32 (notably on the support 328 thereof) so as to provide an adjustment of an angular position of the display's surface around a rotational axis, this rotational axis being parallel to the rotational axis 38 of the displaying device 3. This arrangement permits the user to adapt the relative inclination of the display's surface (when operationally positioned in front of the face) with respect to his eye for optimizing the visibility of displayed images.

[0073] The air-tight mask 90 can be a standalone mask that can be configured to be fixed directly to the head of the user, e.g. by means of elastic bands or grids. Alternatively or complementarily, the air-tight mask 90 can be configured to be fixable to (or being a part of) a head covering, generally a protective head covering 9, as the exemplary embodiment of Figures 4a-d.

[0074] The method for coupling the augmented vision system 1 can comprise a step of fixing the thermal sensing device 2 on a head covering, notably on the same protective helmet 9 where the air-tight mask is coupled (cf. Figure 4d).

[0075] The fixing of the thermal sensing device 2 comprises the steps of:

- fastening the thermal sensing device 2, in particular the thermal camera 221, to the head covering 9; and
- when the head-mountable component 90 is positioned in the front of the face 102 and the head covering worn by the user, adjusting the sensing orientation 223 of the thermal camera, notably of the thermal camera 221, with respect to the head covering 9.

[0076] FIG 5a-d show an exemplary method for coupling the thermal sensing device 2 illustrated in Figure 6 on a head covering, notably on the security helmet 9 of Figure 1.

[0077] The illustrated thermal sensing device 2 comprises:
a head-mountable base 21;
a sensing body 22 coupled to the base and comprising the thermal camera 221; and
a camera adjusting mechanism 23 for adjusting an orientation of the sensing orientation 223 of the thermal camera 221 with respect to the head-mountable base 21, e.g. with respect to an orientation 213 thereof.

[0078] The sensing body 22 can comprise an electronic circuit for controlling the acquisition of images and for transmitting acquired images to the display 33. The sensing body 22 can also comprise a power on/off button 227 for powering said electronic circuit.

[0079] Once the head-mountable base 21 is permanently fixed on the helmet, preferably either on the top or on a side of the helmet, the sensing body can be fastened to the head-mountable base 21 (Figure 5a). A removably fastening of the sensing body permits a management of AV systems within a team of specialists, e.g. by individually assigning a series of sensing bodies to specialists of the team, while sharing a reduced number of security helmets.

[0080] In the illustrated embodiment, the sensing body 22 is removably coupled to the head-mountable base 21 by sliding a slide element 228 of the sensing body into a sliding recess 211 of the head-mountable base 21 up to reach an stop-end-212 thereof (Figure 5b).

[0081] When the thermal sensing device 2 is mounted on the head covering, the user can adjust the sensing orientation 223 by means of the camera adjusting mechanism so as to align and/or correlate sensed objects (e.g. the field-of-view of the thermal camera) with the field-of-view of the user.

[0082] The camera adjusting mechanism is configured to provide the user to adapt the sensing orientation 223 of the thermal camera 221 with respect to the head-mountable base 21, so as to permit the user to spatially

correlate displayed objects with objects within the field of view of the user. The camera adjusting mechanism can thus be configured to provide indexed positions with respect to the head-mountable base 21, each position providing a distinct sensing orientation 223 of the thermal camera 221 along to one or more (notably two perpendicular) directions.

[0083] In the illustrated exemplary embodiments, the head-mountable base 21 is fixed to the thermal sensing device 2 so as the sensing orientation 223 of the thermal sensing device 2 is within an imaginary plan 225 being substantially perpendicular to the imaginary line 103 passing through the eyes 101 of the user (e.g. $\pm 10^\circ$), when the head covering is worn by the user (cf. Figure 5c).

[0084] This fixing permits to sense objects being in front of the face of the user when it wears the head covering. The camera adjusting mechanism of this embodiment is then configured to provide the user to adjust an angular positioning (a) of the sensing orientation 223 with respect to the head-mountable base 21, this uniquely within this imaginary plan 225. The camera adjusting mechanism can be configured to provide the user to adjust the angular positioning (a) within a range b of at least 10° . Preferably, the camera adjusting mechanism can be configured to provide an angular adjusting up to $-10^\circ / +20^\circ$ with respect to a default angular position. In extreme case, the camera adjusting mechanism can be configured to provide an angular adjusting up to $-40^\circ / +60^\circ$ with respect to a default angular position.

[0085] Preferably, the camera adjusting mechanism is configured to provide the user to adjust the angular positioning (a) of the sensing orientation 223 around a rotating axis 24 being substantially parallel (e.g. $\pm 10^\circ$) to the imaginary line passing through the eyes 101 when the head covering is worn by the user.

[0086] These arrangements reduce the time-to-enabling by limiting the adjustment to a single degree of freedom.

[0087] Moreover, the camera adjusting mechanism also comprises an adjusting element, notably an adjusting ring 224, being accessible by fingers of the user for adjusting the angular position. This provides the user to fine tuning the angular positioning of the sensing orientation 223 (e.g. the field-of-view of the thermal camera) while seeing the outcome on the display 33, as illustrated in Figure 5d.

[0088] In the embodiment of Figures 4 and 5, the displaying device is removably fixable to a protective visor 91 of a mask 90 by means of a U-shaped, resilient fixing element 31. The fixing element is entirely or partially made of resilient material and configured to provide an elastic force operating on one or more distinct portions of the head-mountable component 90 so as to removably retain the fixing element 31 to the head-mountable component 90.

[0089] Such as removable fixing of the displaying device provides a fixing on standard and customizable head-mountable component, without modifying and/or damaging a structure thereof. In particular, such removable fixing does not compromise the functionality and the technical features of the head-mountable component, notably in case of a protective head-mountable component.

[0090] Figures 8-11 show other particular embodiments of the displaying devices, notably of the manner the displaying device is fixable to the head-mountable component (e.g. an eyewear 93) by means of the fixing element 31a-e thereof.

[0091] The embodiment of Figure 8, the displaying devices is removably fixed into an inside portion of the head-mountable component 93 by means of a fixing element 31a. The fixing element 31a is entirely or partially made of resilient material and configured to be compressible so as to geometrically fit, side-to-side, the inside contour of the head-mountable component 93. The resilient material provides thus a retaining elastic force operating on the inside surface of the head-mountable component 90.

Preferably, the fixing element 31a can be coated with a non-slipping layer so as to promote adherence.

[0092] The embodiment of Figure 9, the displaying devices is removably fixed on an upper portion of the head-mountable component 93 by means of a fixing element 31b. The fixing element 31b, preferably entirely or partially made of resilient material, comprises a U-shaped portion destined to receive (notably to envelop) the upper contour of the head-mountable component 93.

[0093] The embodiment of Figure 10, the displaying devices is removably fixed into an outside portion of the head-mountable component 93 by means of a fixing element 31c. The fixing element 31c is entirely or partially made of resilient material and configured to be deformed so as to geometrically fit, side-to-side, the outside contour of the head-mountable component 93. The resilient material provides thus a retaining elastic force operating on the outside surface of the head-mountable component 90, preferably the fixing element 31c can be coated with a non-slipping layer.

[0094] The embodiment of Figure 11, the displaying devices is removably fixed to the head-mountable component 93 by means of a two-part fixing element 31d destined to be place on opposite sides of the head-mountable component 93. The first and the second parts of the fixing element 31e are joinable together, for example, by means of magnetic elements 93.

[0095] Alternatively, the displaying device can be fixed to the head-mountable component by means of one or more permanent fixings, such as screws, nails, spikes, rivets, glue, and/or adhesive.

Numbered Items

1	First vegetable organism
2	Thermal sensing device
21	Base
211	Sliding recess
212	Stop
213	Orientation of the base
22	Sensing body
221	Thermal camera
222	Optic lens or assembly
223	Sensing orientation
224	Adjusting ring
225	Imaginary plan
226	Electronic circuit
227	On/off button
228	Slide
24	Rotating axis
3	Displaying device
31, 31a-e	Fixing mechanism
311	Sliding guide
312	Magnet
32	Display body
321	Slide
322	Coupling element
323	Shaft
325	Surface for forehead
326	Surface for Head-mountable component
327	Electronic circuit
328	Lens support
329	Lens /lenses
33	Display
331	Thermal image
38	Rotational axis
380	Angular positioning

381	Predefined angular positioning
382	Counter-rotation
383	Rotation
39	Translation axis
4	Wireless channel
9	Protective head covering
90	Protective mask
91	Protective visor
93	Eyewear
100	User
101	Eye
102	Face
103	Imaginary line
a	Angle between the sensing orientation and the base
b	Adjusting angles range

Claims

1. An augmented vision system (1) comprising:
a displaying device (3) comprising:
a fixing element (31) for coupling the displaying device (3) to a head-mountable component (90) configured to be positioned in front of a face (102) of a user (100), and
a display body (32) being coupled to said fixing element (31) by means of a pivoting link (321, 322, 323) providing a rotation of the display body with respect to the fixing element around a rotational axis (38);
wherein the display body (32) comprises:
a display (33) configured to display a thermal data and/or a thermal image (331) provided by a thermal sensing device (2); and
a first surface portion (325) configured to enter in contact with a forehead of a user, when said head-mountable component (90) is positioned in front of the face of the user, so as to rotate the display body (32) to a predefined angular positioning (381) around the rotational axis (38).
2. The augmented vision system according to claim 1, wherein said pivoting link provide a free rotation of the display body of at least 5° around the rotational axis (38).
3. The augmented vision system according to any one of claims 1 and 2, wherein the displaying device (3) comprises an adjusting mechanism (311, 321) providing a relative translation of said first surface portion (325) with respect to the fixing element (31).
4. The augmented vision system according to claim 3, wherein said adjusting mechanism comprises a slide link (311,321) providing a relative translation of the display body (32) with respect to the fixing element (31) along a translation axis (39) perpendicular to the rotational axis (38).

5. The augmented vision system according to claim 4, wherein the slide link (311,321) is configured to indicate a plurality of discrete positions along the translation axis (39);

preferably the slide link (311,321) being configured to retain the display body (32) when positioned at one of said plurality of discrete positions with respect to the fixing element (31).

6. The augmented vision system according to any one of claims 1 to 5, the displaying device (3) being configured to rotate the display body (32) for pushing the first surface portion (325) against the forehead of the user, when the head-mountable component (90) is positioned in the face of the user.

7. The augmented vision system according to claim 6, wherein the displaying device (3) comprising an elastic element operating between the display body (32) and the fixing element (31).

8. The augmented vision system according to claim 6, wherein the display body (32) comprises a second surface portion (326) configured to enter in contact with a portion of the fixing element (31) and/or of the head-mountable component (90), when the head-mountable component (90) is positioned in front of the face of the user; preferably the display body (32) comprising a resilient portion operating between the first surface portion (325) and the second surface (326).

9. The augmented vision system according to any one of claims 1 to 7, wherein the rotational axis (38) is substantially parallel to an imaginary line (103) passing through the eyes (101) of the user when said head-mountable component (90) is positioned in front of the face of the user.

10. The augmented vision system according to any one of claims 1 to 12, wherein the displaying device (32) is detachable from the fixing element (31), preferably by means of the slide link (311, 321).

11. The augmented vision system according to any one of claims 1 to 10, wherein the fixing element (31) is removably fastened to the head-mountable component (90).

12. The head covering according to the claim 11, wherein the fixing element comprising at least a resilient portion configured to provide an elastic force operating on one or more distinct portions of the head-mountable component (90) so as to removably retain the fixing element (31) to the head-mountable component (90).

13. The augmented vision system according to any one of claims 1 to 12, wherein the head-mountable component (90) is configured to be pushed against the face (102) of a user (100).

14. The augmented vision system according to any one of claims 1 to 13, wherein the display is a see-through-display (33).

15. The augmented vision system according to any one of claims 1 to 14, wherein the thermal sensing device (2) is a head-mountable thermal sensing device (2); preferably the thermal sensing device is configured to provide thermal data and/or thermal images to the display by means of a wireless link (4).

16. The augmented vision system according to any one of claims 1 to 15, the thermal sensing device (2) comprising:
a head-mountable base (21);
a sensing body (22) coupled to the base and comprising a thermal camera (221) for sensing temperatures of an object along a sensing orientation (223); and
a camera adjusting mechanism for adjusting an angular positioning (a) of the sensing orientation (223) of the thermal camera (221) with respect to the head-mountable base (21), preferably around a rotating axis (24).

17. The augmented vision system according to the claim 16, wherein the thermal camera (22) is detachable coupled to the head-mountable base.

18. The augmented vision system according to any one of claims 1 to 17, wherein the head-mountable thermal sensing device (2) is fastened to a head-covering (9), preferably by means of the head-mountable base (21).

19. The head covering according to the claim 18, wherein the head-mountable component (90) is coupled with the head-covering (9), preferably by means of a resilient element so as to provide an elastic force pushing the head-mountable component (90) against the face (102) of a user (100).

20. The head covering according to any one of claims 18 and 19, the head covering (9) being a protective head covering, notably a firefighter helmet (9), a soldier helmet, a policeman helmet, a rescuer helmet, a cyclist helmet or a driver helmet.

21. The augmented vision system according to any one of claims 1 to 20, wherein the head-mountable component (90) is an eyewear, a mask, a face shield or a visor (90) of the head covering (9).

22. A method for wearing an augmented vision system according to any one of claims 1 to 21, the method comprising steps of:

fastening a fixing element (31) of a displaying device (3) to a head-mountable component (90) configured to be positioned in front of a face (102) of a user (100);

rotatably coupling a display body (32) of the displaying device (3) to said fixing element (31); and

rotating the display body (32) around a rotational axis (38) to a given angular position with respect to the fixing element (31) by positioning the head-mountable component (90) in front of the face (102) of the user (100).

23. The method according to claim 22, wherein coupling the display body comprises a step of:
positioning the display body (32) with respect to the fixing element (31) along a translation axis (39) perpendicular to the rotational axis (38) of the display body (32).

24. The method according to any one of claims 22 and 23, the method comprising steps of:
fastening a thermal camera (221) to a head covering (9);
when the head-mountable component (90) is positioned in the front of the face (102) of the user (100), adjusting a sensing orientation (223) of the thermal camera (221) with respect to the head covering (9).

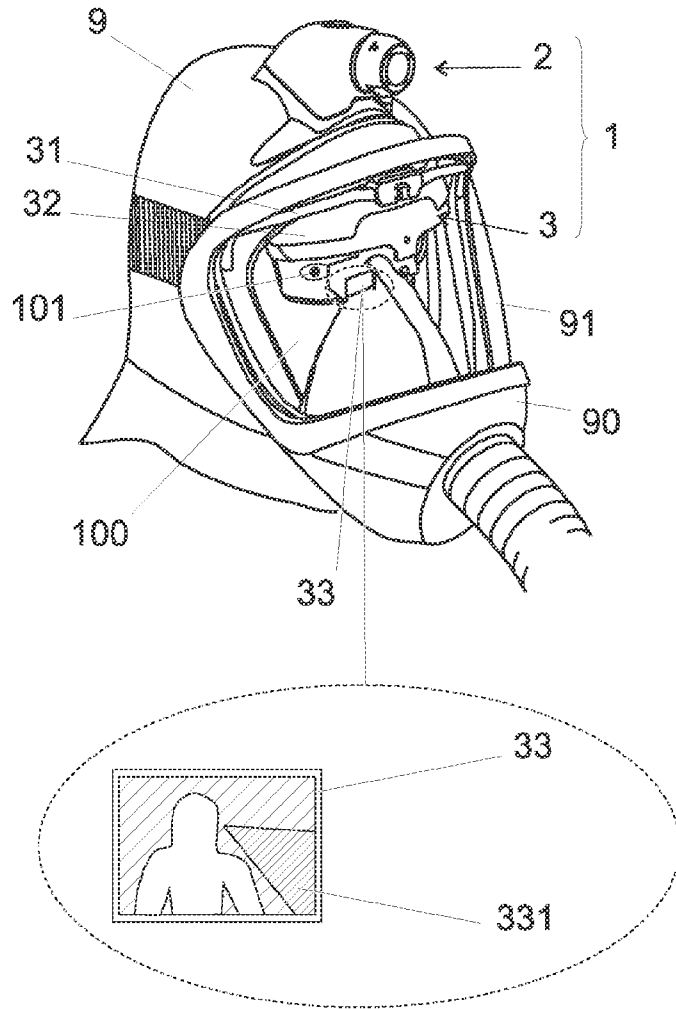


Fig.1

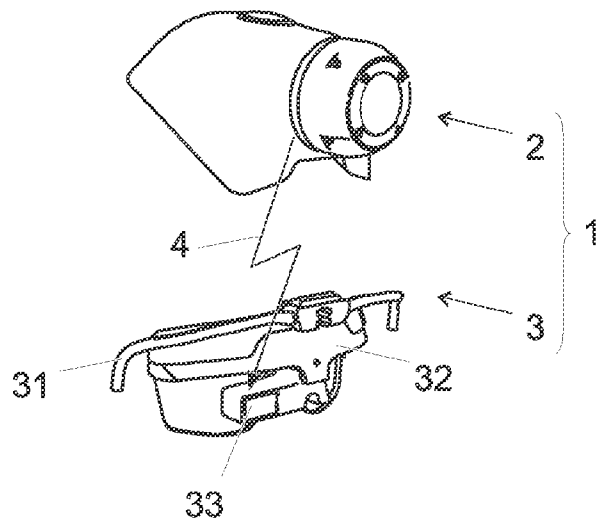


Fig.2

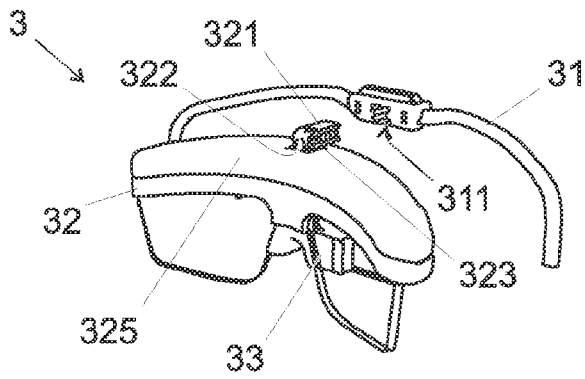


Fig.3a

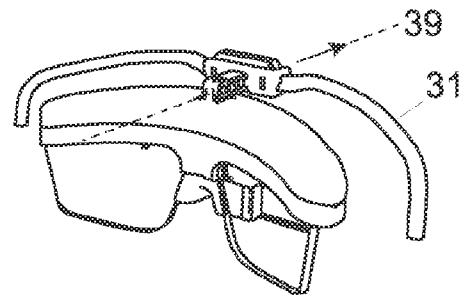


Fig.3b

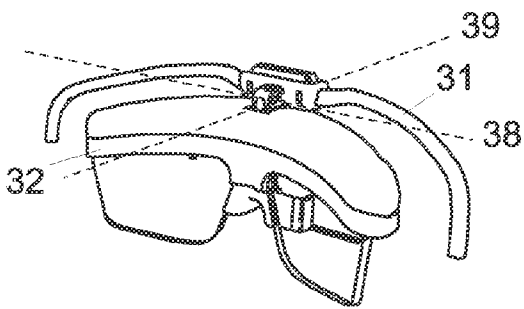


Fig.3c

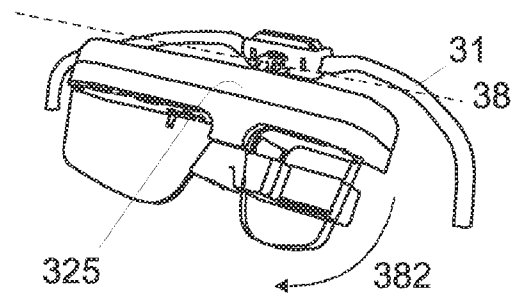


Fig.3d

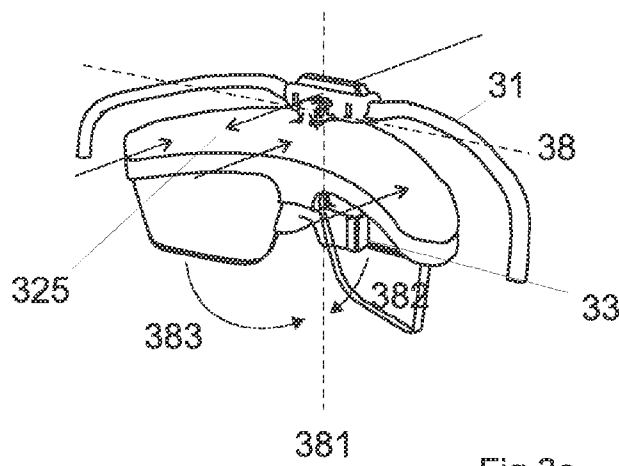


Fig.3e

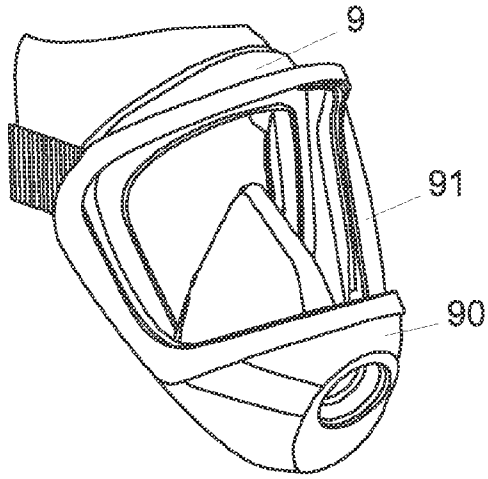


Fig. 4a

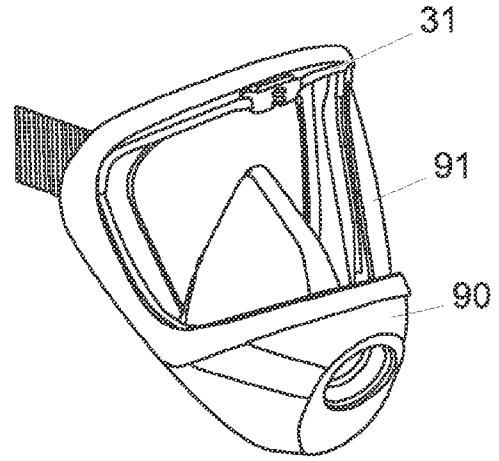


Fig. 4b

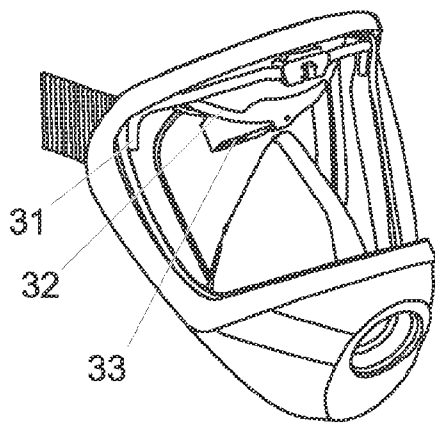


Fig. 4c

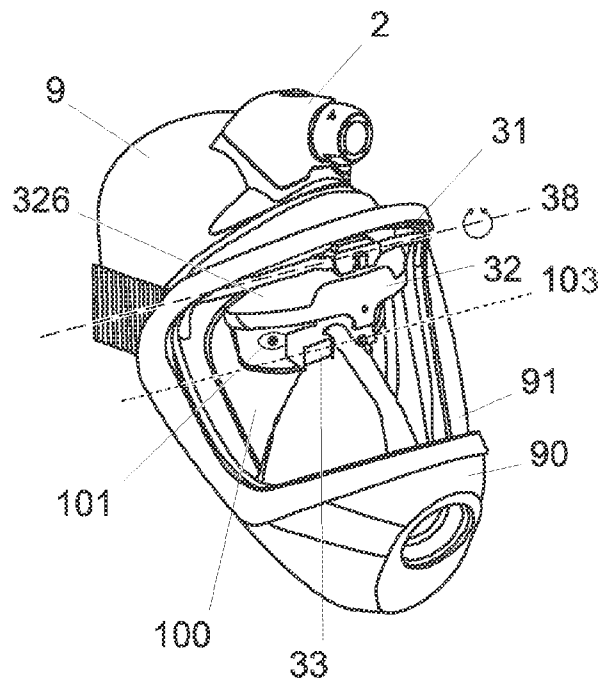


Fig. 4d

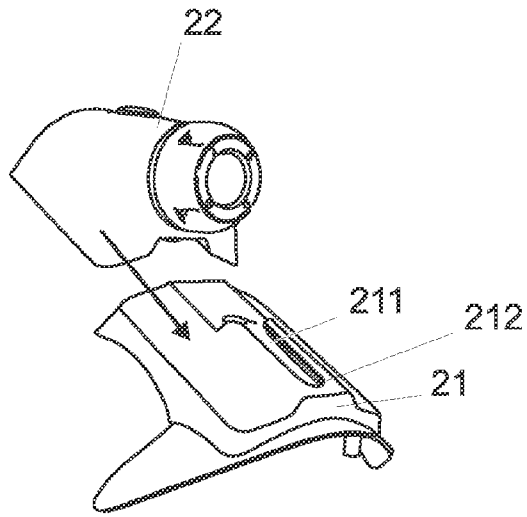


Fig.5a

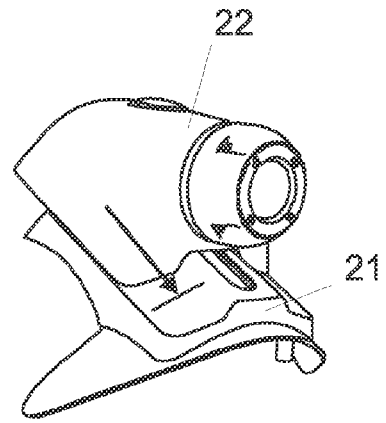


Fig.5b

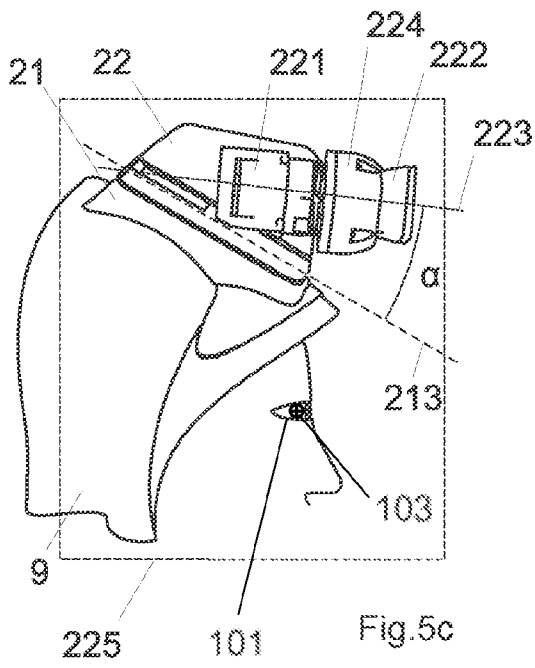


Fig.5c

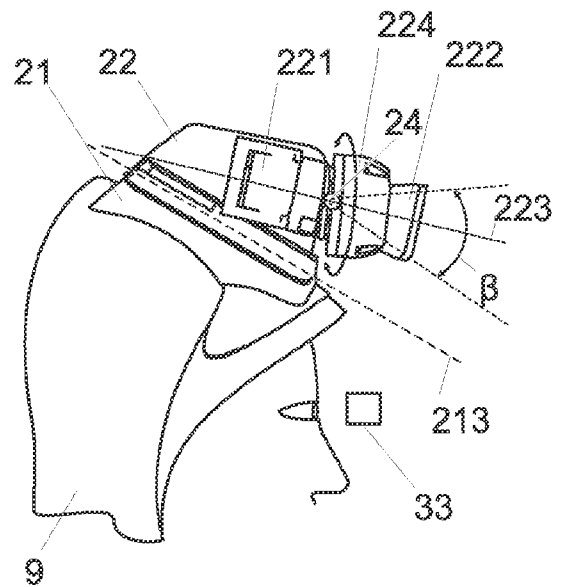


Fig.5d

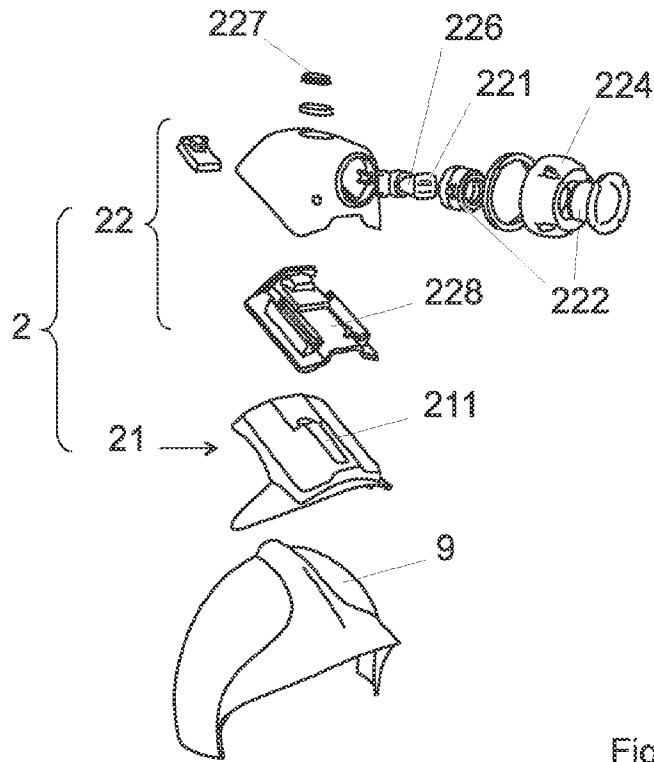


Fig.6

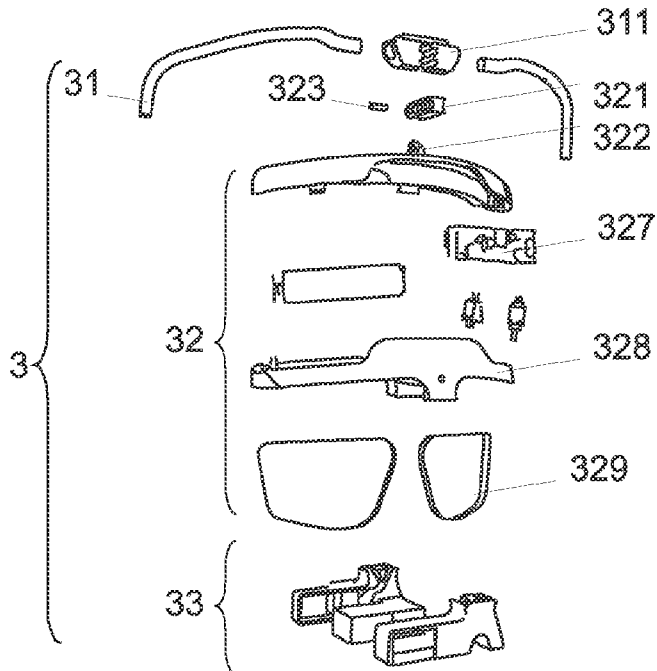


Fig.7

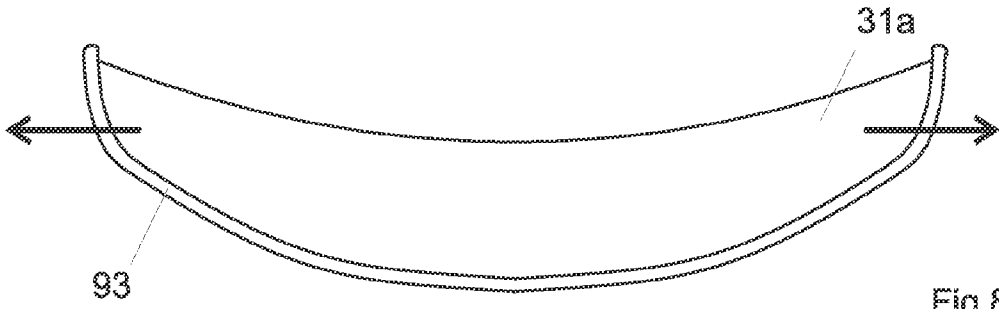


Fig.8

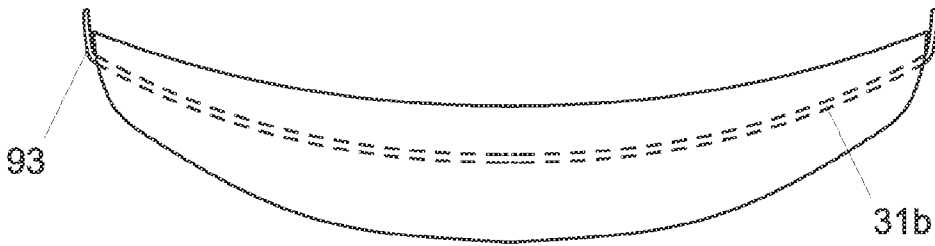


Fig.9

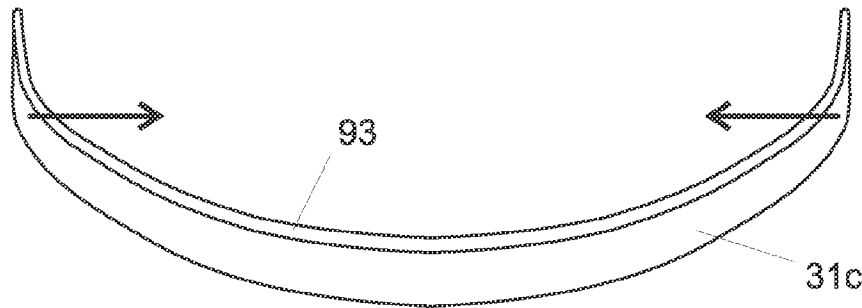


Fig.10

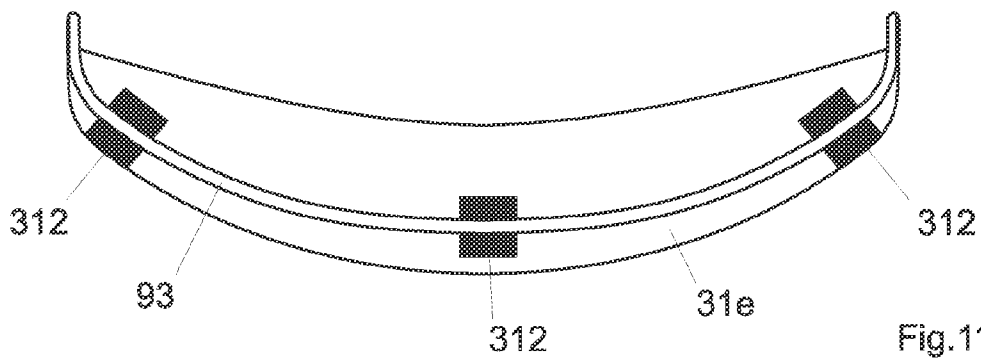


Fig.11

INTERNATIONAL SEARCH REPORT

International application No PCT/IB2019/050592

A. CLASSIFICATION OF SUBJECT MATTER INV. A42B3/00 A62B18/00 H04N5/33 G02B27/01 G02B23/12 ADD.				
According to International Patent Classification (IPC) or to both national classification and IPC				
B. FIELDS SEARCHED				
Minimum documentation searched (classification system followed by classification symbols) A42B A62B G02B H04N				
Documentation searched other than minimum documentation to the extent that such documents are included in the fields searched				
Electronic data base consulted during the international search (name of data base and, where practicable, search terms used) EPO-Internal, WPI Data				
C. DOCUMENTS CONSIDERED TO BE RELEVANT				
Category*	Citation of document, with indication, where appropriate, of the relevant passages	Relevant to claim No.		
A	CN 202 255 628 U (BOWEN ZHANG) 30 May 2012 (2012-05-30) abstract; figures 1,5 paragraphs [0004], [0008], [0009], [0019]	1-24		
X	----- US 6 369 952 B1 (RALLISON RICHARD DENNIS [US] ET AL) 9 April 2002 (2002-04-09) figures 1,19 abstract column 6, lines 54-64 column 7, lines 7-16,24-29,49	1-24		
A	----- US 2014/071294 A1 (LAVOIE BARRY [US]) 13 March 2014 (2014-03-13) figures 1,2,6, 8A, 8B, 9B,10B paragraphs [0004], [0044] ----- -/--	1-3, 6-15,22		
<input checked="" type="checkbox"/> Further documents are listed in the continuation of Box C. <input checked="" type="checkbox"/> See patent family annex.				
* Special categories of cited documents : <table style="width: 100%; border: none;"> <tr> <td style="width: 50%; border: none; vertical-align: top;"> "A" document defining the general state of the art which is not considered to be of particular relevance "E" earlier application or patent but published on or after the international filing date "L" document which may throw doubts on priority claim(s) or which is cited to establish the publication date of another citation or other special reason (as specified) "O" document referring to an oral disclosure, use, exhibition or other means "P" document published prior to the international filing date but later than the priority date claimed </td> <td style="width: 50%; border: none; vertical-align: top;"> "T" later document published after the international filing date or priority date and not in conflict with the application but cited to understand the principle or theory underlying the invention "X" document of particular relevance; the claimed invention cannot be considered novel or cannot be considered to involve an inventive step when the document is taken alone "Y" document of particular relevance; the claimed invention cannot be considered to involve an inventive step when the document is combined with one or more other such documents, such combination being obvious to a person skilled in the art "&" document member of the same patent family </td> </tr> </table>			"A" document defining the general state of the art which is not considered to be of particular relevance "E" earlier application or patent but published on or after the international filing date "L" document which may throw doubts on priority claim(s) or which is cited to establish the publication date of another citation or other special reason (as specified) "O" document referring to an oral disclosure, use, exhibition or other means "P" document published prior to the international filing date but later than the priority date claimed	"T" later document published after the international filing date or priority date and not in conflict with the application but cited to understand the principle or theory underlying the invention "X" document of particular relevance; the claimed invention cannot be considered novel or cannot be considered to involve an inventive step when the document is taken alone "Y" document of particular relevance; the claimed invention cannot be considered to involve an inventive step when the document is combined with one or more other such documents, such combination being obvious to a person skilled in the art "&" document member of the same patent family
"A" document defining the general state of the art which is not considered to be of particular relevance "E" earlier application or patent but published on or after the international filing date "L" document which may throw doubts on priority claim(s) or which is cited to establish the publication date of another citation or other special reason (as specified) "O" document referring to an oral disclosure, use, exhibition or other means "P" document published prior to the international filing date but later than the priority date claimed	"T" later document published after the international filing date or priority date and not in conflict with the application but cited to understand the principle or theory underlying the invention "X" document of particular relevance; the claimed invention cannot be considered novel or cannot be considered to involve an inventive step when the document is taken alone "Y" document of particular relevance; the claimed invention cannot be considered to involve an inventive step when the document is combined with one or more other such documents, such combination being obvious to a person skilled in the art "&" document member of the same patent family			
Date of the actual completion of the international search	Date of mailing of the international search report			
24 April 2019	06/05/2019			
Name and mailing address of the ISA/ European Patent Office, P.B. 5818 Patentlaan 2 NL - 2280 HV Rijswijk Tel. (+31-70) 340-2040, Fax: (+31-70) 340-3016	Authorized officer Gentile, Mathieu			

INTERNATIONAL SEARCH REPORT

International application No
PCT/IB2019/050592

C(Continuation). DOCUMENTS CONSIDERED TO BE RELEVANT

Category*	Citation of document, with indication, where appropriate, of the relevant passages	Relevant to claim No.
A	US 2008/186447 A1 (DAVIS BRIAN E [GB]) 7 August 2008 (2008-08-07) figure 1 abstract figures 4-7 paragraphs [0003], [0019], [0035] -----	4,5

INTERNATIONAL SEARCH REPORT

Information on patent family members

International application No PCT/IB2019/050592

Patent document cited in search report	Publication date	Publication date	Patent family member(s)	Publication date
CN 202255628	U	30-05-2012	NONE	
US 6369952	B1	09-04-2002	NONE	
US 2014071294	A1	13-03-2014	CA 2884855 A1	20-03-2014
			CN 104769487 A	08-07-2015
			EP 2895916 A1	22-07-2015
			US 2014071294 A1	13-03-2014
			WO 2014042927 A1	20-03-2014
US 2008186447	A1	07-08-2008	CA 2604171 A1	12-04-2007
			EP 1877144 A2	16-01-2008
			JP 4808249 B2	02-11-2011
			JP 2008539886 A	20-11-2008
			KR 20080003892 A	08-01-2008
			US 2008186447 A1	07-08-2008
			WO 2007040634 A2	12-04-2007