



US00D722865S

(12) **United States Design Patent**
Greenthal

(10) **Patent No.:** **US D722,865 S**

(45) **Date of Patent:** **** Feb. 24, 2015**

(54) **KNUCKLE WITH A PIVOT SHAFT**

(71) Applicant: **Nitroworks Corporation**, Buena Park, CA (US)

(72) Inventor: **Steven M. Greenthal**, Buena Park, CA (US)

(73) Assignee: **Nitroworks Corporation**, Buena Park, CA (US)

(**) Term: **14 Years**

(21) Appl. No.: **29/466,933**

(22) Filed: **Sep. 13, 2013**

Related U.S. Application Data

(63) Continuation-in-part of application No. 13/798,506, filed on Mar. 13, 2013, now Pat. No. 8,831,415.

(51) **LOC (10) Cl.** **08-08**

(52) **U.S. Cl.**
USPC **D8/382**

(58) **Field of Classification Search**

CPC A61M 2039/1027; A61M 39/1055;
H01R 39/643; F16G 15/08; F16L 27/093;
F16L 27/0816; B25G 3/24
USPC D8/382, 349, 354, 380, 373, 399, 394,
D8/355; D6/300; D15/148, 5; D16/245,
D16/242; D11/181; D24/129; 411/175;
248/344, 466, 317, 72, 230.1; 433/76;
439/12; 228/44.3, 316.6

See application file for complete search history.

(56) **References Cited**

U.S. PATENT DOCUMENTS

2,299,468	A *	10/1942	Dafforn et al.	439/12
D241,814	S *	10/1976	Fredriksson	D8/355
D241,911	S *	10/1976	Fredriksson	D8/382
D395,996	S *	7/1998	Fischer	D8/349
D402,881	S *	12/1998	Fischer	D8/354
D466,397	S *	12/2002	Marwick	D8/373
D687,879	S *	8/2013	Greenthal	D16/242
D688,726	S *	8/2013	Samuels et al.	D16/242
D705,044	S *	5/2014	Hammac et al.	D8/380
2014/0193772	A1 *	7/2014	Mackey	433/76

OTHER PUBLICATIONS

Digital photo of camera mount hardware believed to have been on sale on or before Sep. 12, 2013.

* cited by examiner

Primary Examiner — Sheryl Lane

Assistant Examiner — Nicole Shiflet

(74) *Attorney, Agent, or Firm* — Erickson, Kernell, Derusseau & Kleypas, LLC

(57) **CLAIM**

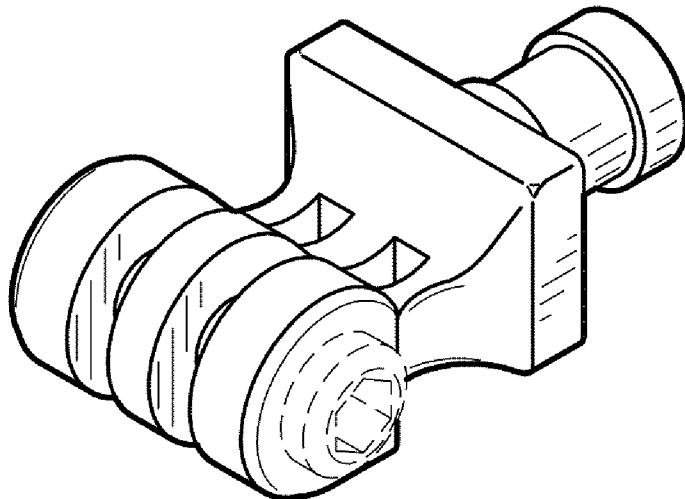
The ornamental design for a knuckle with a pivot shaft, as shown and described.

DESCRIPTION

FIG. 1 is a perspective view of a knuckle with a pivot shaft; FIG. 2 is a top plan view thereof; FIG. 3 is a left side view thereof; FIG. 4 is a bottom plan view thereof; FIG. 5 is a right side view thereof; FIG. 6 is a front view thereof; and, FIG. 7 is a rear view thereof.

The broken lines in the figure drawings represent portions of the article and form no part of the claimed design.

1 Claim, 1 Drawing Sheet



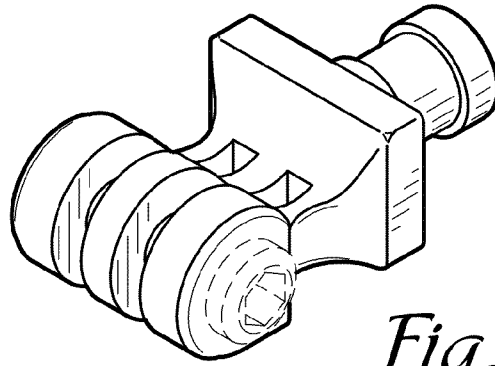


Fig. 1

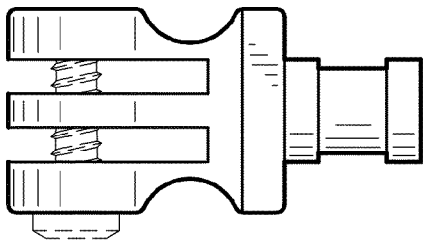


Fig. 2

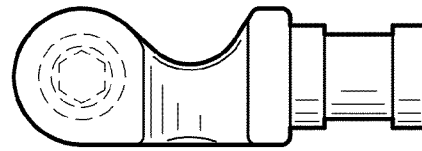


Fig. 3

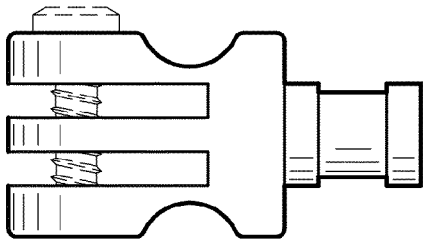


Fig. 4

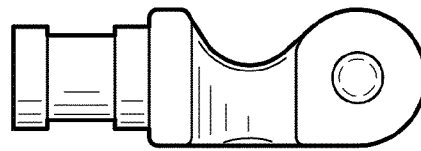


Fig. 5

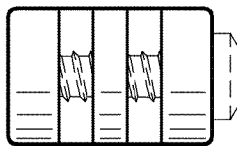


Fig. 6

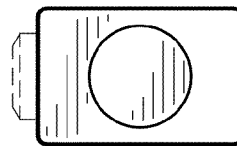


Fig. 7