



US00D604236S

(12) **United States Design Patent**  
**Chen**

(10) **Patent No.:** **US D604,236 S**

(45) **Date of Patent:** **\*\* Nov. 17, 2009**

(54) **TRAVEL CHARGER**

(75) Inventor: **Henry Chen**, City of Industry, CA (US)

(73) Assignee: **Ever Win International Corporation**,  
City of Industry, CA (US)

(\*\*) Term: **14 Years**

(21) Appl. No.: **29/333,769**

(22) Filed: **Mar. 13, 2009**

(51) **LOC (9) Cl.** ..... **13-02**

(52) **U.S. Cl.** ..... **D13/108**

(58) **Field of Classification Search** ..... D13/102,  
D13/107-110, 118-119, 184; D14/251,  
D14/253, 432, 434; 320/107-115  
See application file for complete search history.

(56) **References Cited**

**U.S. PATENT DOCUMENTS**

|              |         |                      |         |
|--------------|---------|----------------------|---------|
| D361,978 S * | 9/1995  | Shirai et al. ....   | D13/103 |
| D407,686 S * | 4/1999  | Read .....           | D13/110 |
| D465,451 S * | 11/2002 | Hirano et al. ....   | D13/107 |
| D483,725 S * | 12/2003 | Thompson et al. .... | D13/184 |
| D554,584 S * | 11/2007 | Feldman et al. ....  | D13/110 |
| D561,093 S * | 2/2008  | Sween et al. ....    | D13/110 |

|              |         |                      |         |
|--------------|---------|----------------------|---------|
| D561,687 S * | 2/2008  | Sween et al. ....    | D13/110 |
| D570,772 S * | 6/2008  | Mahaffey et al. .... | D13/110 |
| D580,853 S * | 11/2008 | Ahlgren .....        | D13/107 |

\* cited by examiner

*Primary Examiner*—Jennifer Rivard  
*Assistant Examiner*—Rosemary K Tarcza

(57) **CLAIM**

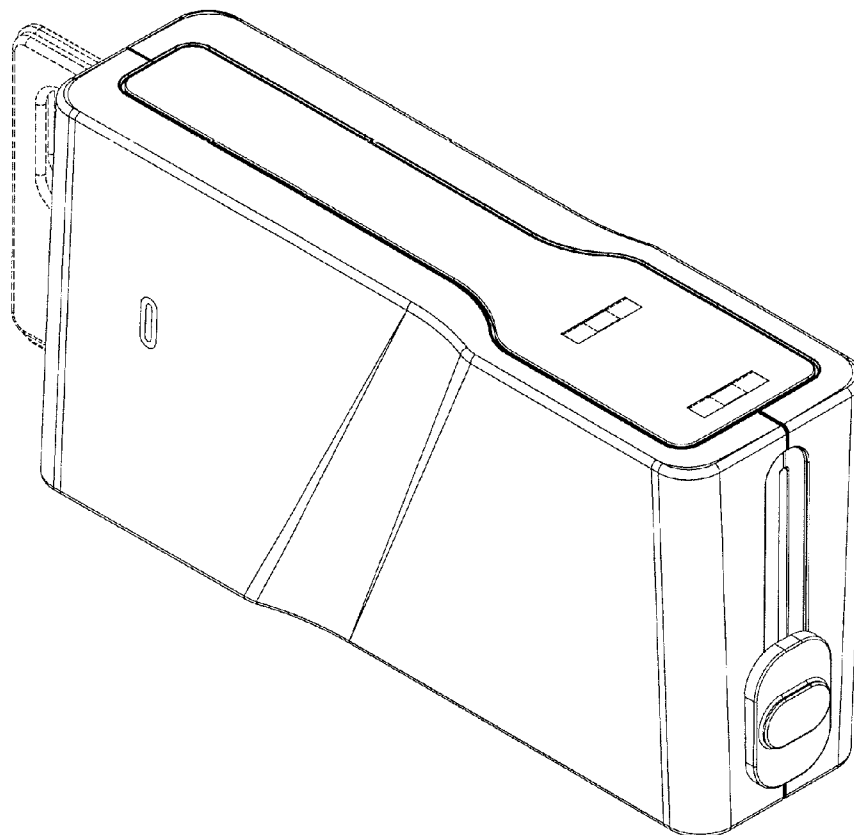
The ornamental design for a travel charger, as shown and described.

**DESCRIPTION**

FIG. 1 is a perspective view of a travel charger;  
FIG. 2 is a front elevation view thereof;  
FIG. 3 is a rear elevation view thereof;  
FIG. 4 is a side elevation view thereof;  
FIG. 5 is a side elevation view of the opposite side view shown in FIG. 4;  
FIG. 6 is a top view thereof; and,  
FIG. 7 is a bottom view thereof.

The broken line showing of the environment is for illustrative purposes only and forms no part of the claimed design.

**1 Claim, 5 Drawing Sheets**



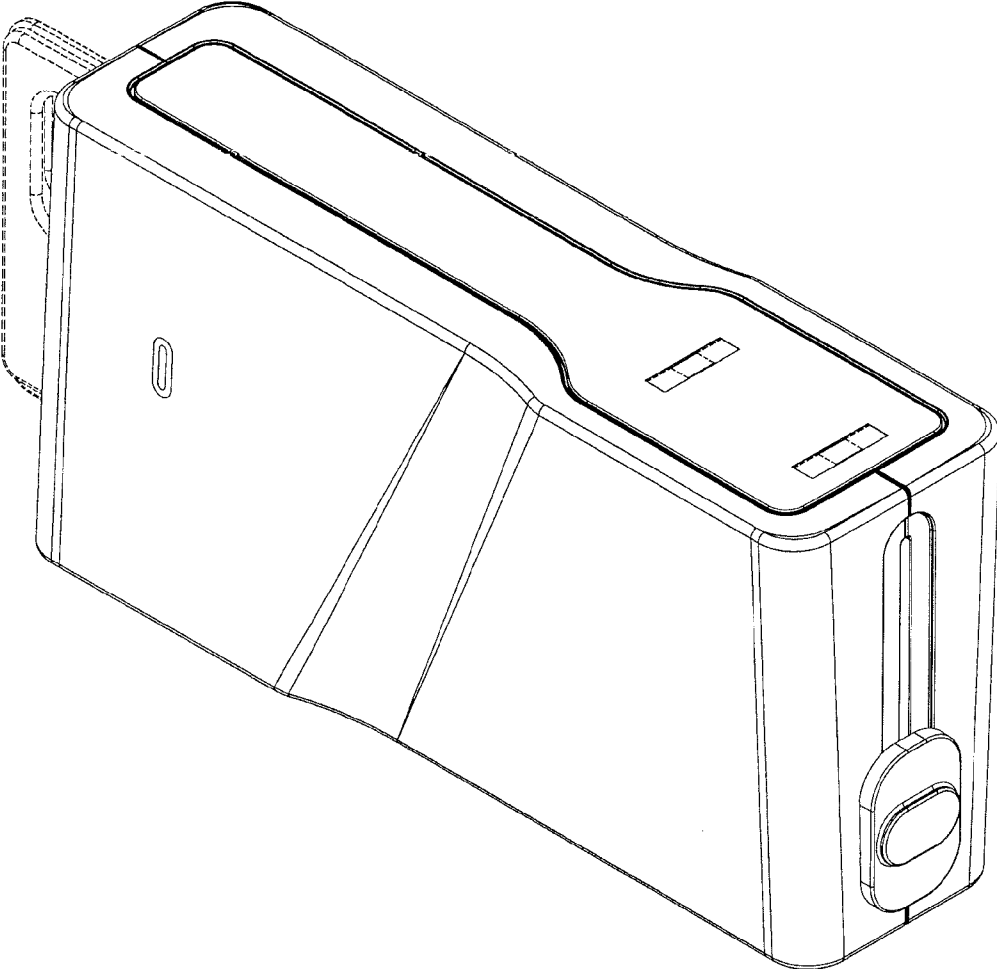


Figure 1

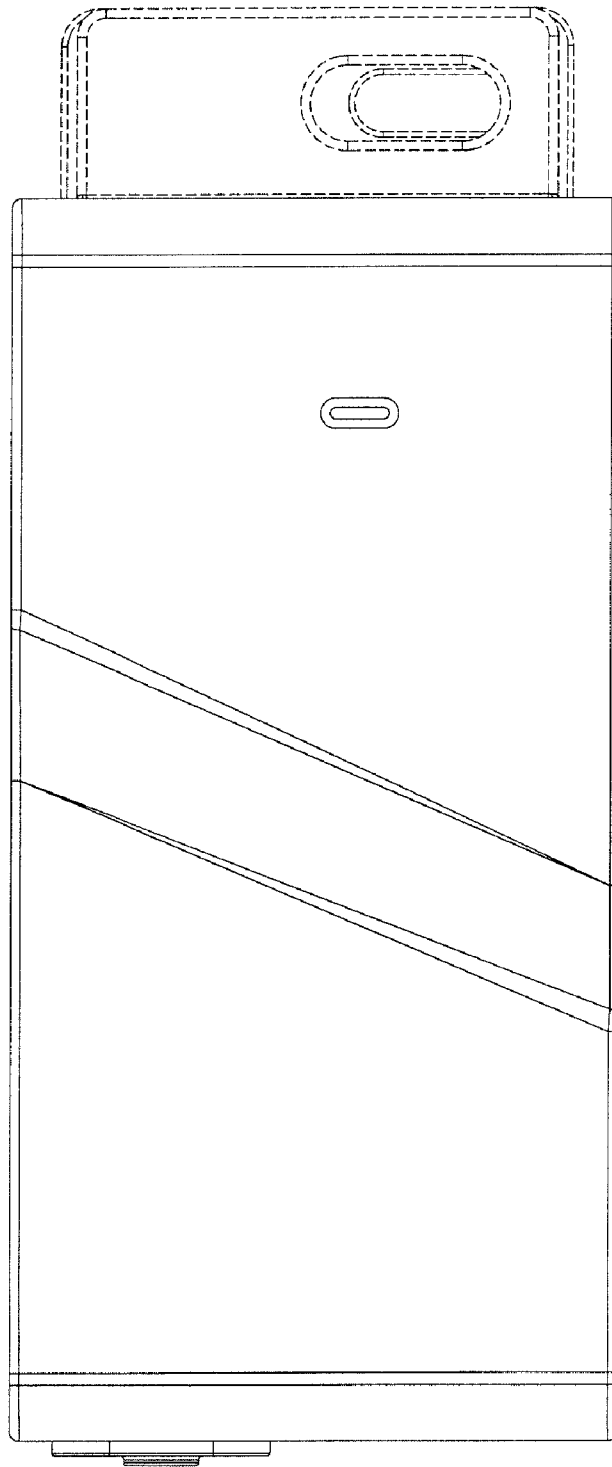


Figure 2

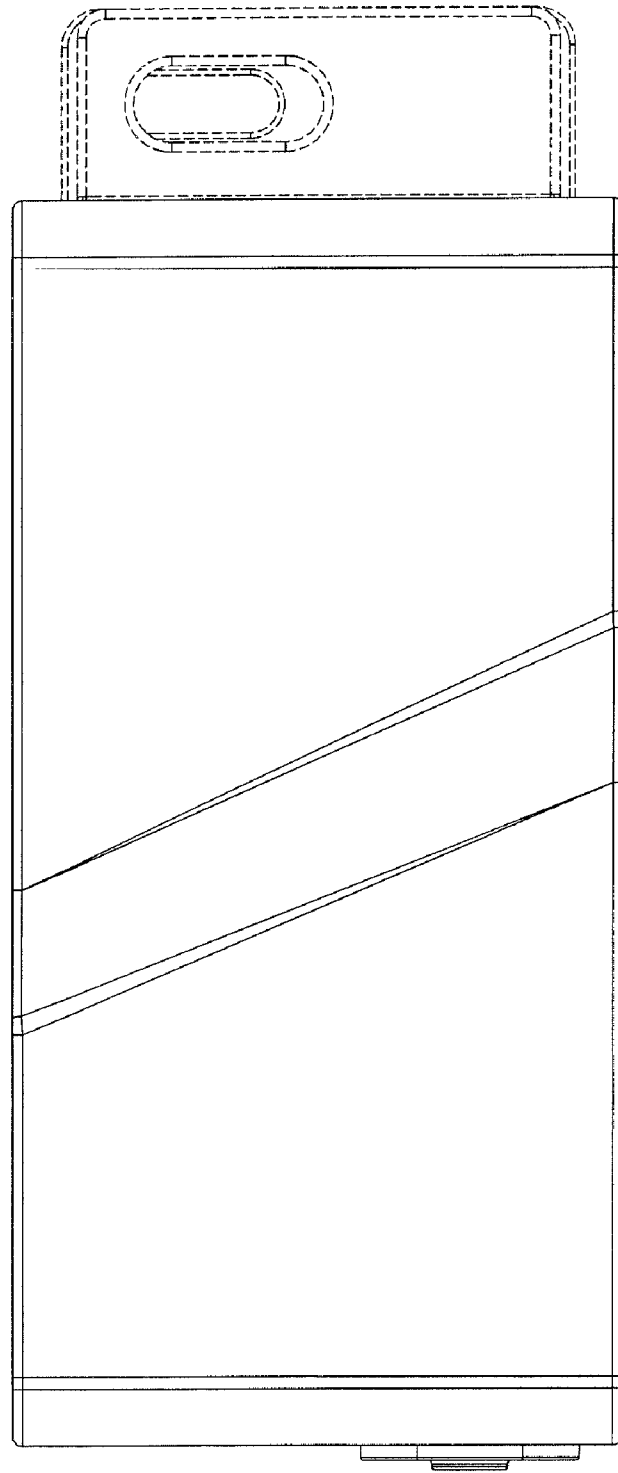


Figure 3

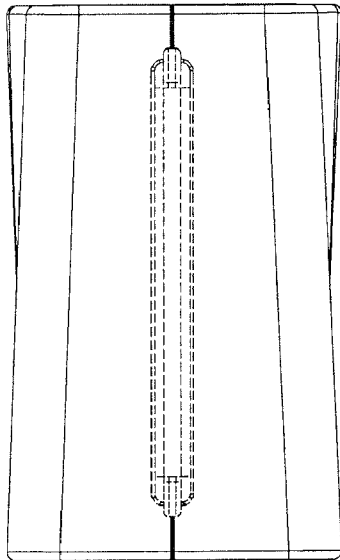


Figure 4

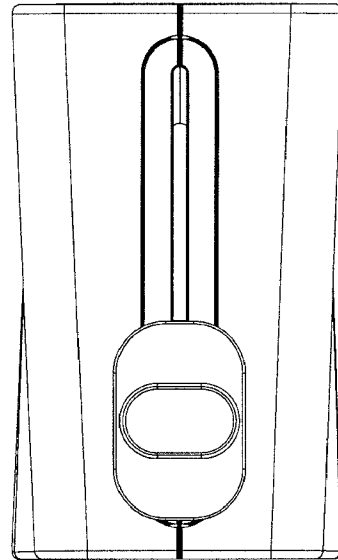


Figure 5

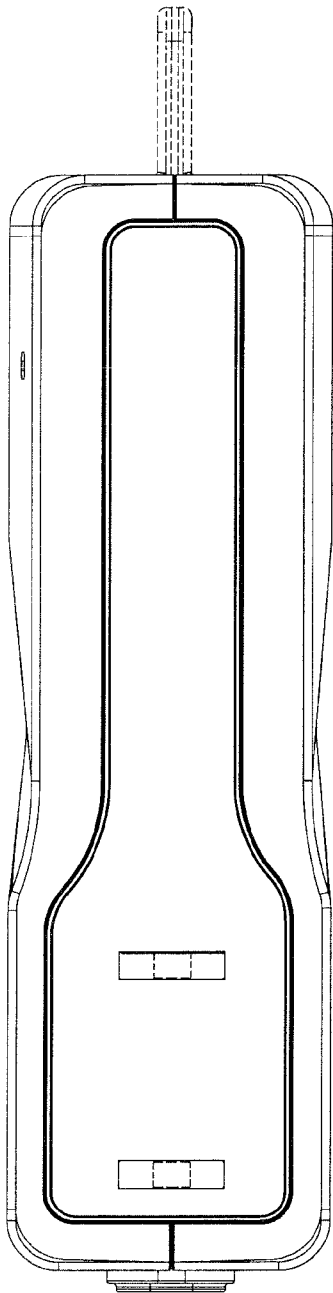


Figure 6

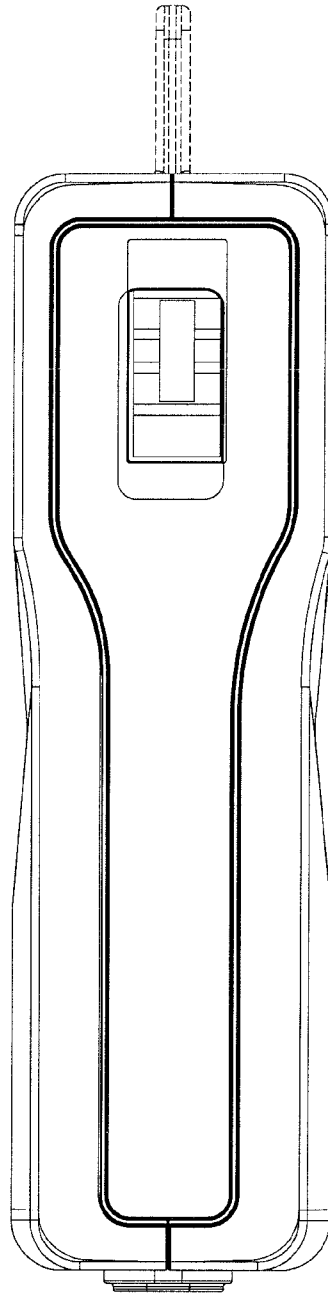


Figure 7