



US00D741299S

(12) **United States Design Patent**
Brunner et al.

(10) **Patent No.:** **US D741,299 S**

(45) **Date of Patent:** **** Oct. 20, 2015**

(54) **AUDIO LISTENING SYSTEM**

(71) Applicant: **Apple Inc.**, Cupertino, CA (US)

(72) Inventors: **Robert Brunner**, San Francisco, CA (US); **Christopher Kuh**, San Francisco, CA (US)

(73) Assignee: **Apple Inc.**, Cupertino, CA (US)

(**) Term: **14 Years**

(21) Appl. No.: **29/496,755**

(22) Filed: **Jul. 16, 2014**

D276,143 S *	10/1984	Williams	D11/121
4,646,872 A *	3/1987	Kamon et al.	181/129
D299,344 S *	1/1989	Stevens	D14/249
D299,454 S *	1/1989	Kwong	D14/205
D309,306 S *	7/1990	Weiser et al.	D14/249
D316,550 S *	4/1991	Sogabe	D14/168
D318,670 S *	7/1991	Taniguchi	D14/205
D326,855 S *	6/1992	Bose et al.	D14/223
5,179,501 A *	1/1993	Ocken et al.	361/709
D334,043 S *	3/1993	Taniguchi et al.	D14/218
5,210,792 A *	5/1993	Kajihara	379/430
D375,959 S *	11/1996	Davis et al.	D14/223
5,625,171 A *	4/1997	Marshall	181/130
5,659,156 A *	8/1997	Mauney et al.	181/130
D383,757 S *	9/1997	Dobrusskin et al.	D14/223
D385,254 S *	10/1997	Owusu	D13/133
D421,755 S *	3/2000	Pitel	D14/240

(Continued)

Related U.S. Application Data

(63) Continuation of application No. 29/441,334, filed on Jan. 3, 2013, now Pat. No. Des. 712,382.

(51) **LOC (10) Cl.** **14-01**

(52) **U.S. Cl.**
USPC **D14/223**

(58) **Field of Classification Search**
USPC D14/223; 181/129, 130, 135; 379/430, 379/431; 381/380, 381; 455/90.3, 575.1
CPC H04R 1/1016
See application file for complete search history.

References Cited

U.S. PATENT DOCUMENTS

2,009,390 A *	7/1935	Bayardi	63/32
2,248,837 A *	7/1941	Walters	381/380
2,430,229 A *	11/1947	Kelsey	381/338
2,474,135 A *	6/1949	White	381/381
2,545,731 A *	3/1951	French	181/135
2,739,660 A *	3/1956	French	181/135
D233,444 S *	10/1974	Christian et al.	D6/335
D241,881 S *	10/1976	Peterson	D24/106
4,253,452 A *	3/1981	Powers et al.	128/864
D270,634 S *	9/1983	Ungar	D14/205

Primary Examiner — Paula Greene

(74) *Attorney, Agent, or Firm* — Sterne, Kessler, Goldstein & Fox P.L.L.C.

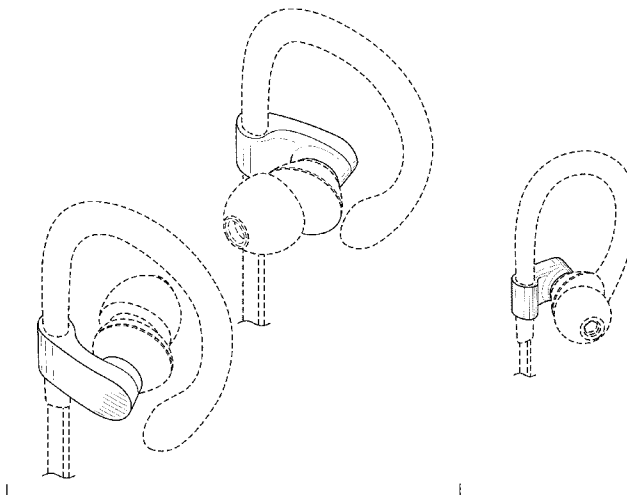
(57) **CLAIM**

The ornamental design for an audio listening system, as shown and described.

DESCRIPTION

FIG. 1 is a perspective view of an audio listening system showing our new design; the earpieces are mirror images; FIG. 2 is a front view thereof; FIG. 3 is a rear view thereof; FIG. 4 is a side perspective view of the first earpiece thereof, shown separately for purposes of illustration; FIG. 5 is a side perspective view of the second earpiece thereof; FIG. 6 is a top view of the second earpiece thereof; and, FIG. 7 is a bottom view of the second earpiece thereof. The broken lines in the Figures are for illustrative purposes only and show portions of an audio listening system or environment that form no part of the claimed design.

1 Claim, 3 Drawing Sheets



(56)

References Cited

U.S. PATENT DOCUMENTS

D430,060	S *	8/2000	Kavalek	D11/90
6,101,260	A *	8/2000	Jensen et al.	381/381
6,233,344	B1 *	5/2001	Clegg et al.	381/374
D443,261	S *	6/2001	Yuyama	D14/223
D443,859	S *	6/2001	Hogan	D13/133
D457,514	S *	5/2002	Marion et al.	D14/223
D459,342	S *	6/2002	Marion et al.	D14/223
D460,749	S *	7/2002	Liu	D14/206
6,427,018	B1 *	7/2002	Keliiliki	381/381
D463,791	S *	10/2002	Nagai et al.	D14/223
D470,129	S *	2/2003	Hlas et al.	D14/223
D471,889	S *	3/2003	Rath et al.	D14/205
D475,996	S *	6/2003	Skulley	D14/240
D481,377	S *	10/2003	Eguchi	D14/223
D482,348	S *	11/2003	Villaverde et al.	D14/223
6,728,388	B1 *	4/2004	Nageno et al.	381/381
6,771,790	B2 *	8/2004	Liu	381/385
D501,196	S *	1/2005	Dyer et al.	D14/205
6,868,284	B2 *	3/2005	Bae	455/575.2
D508,479	S *	8/2005	Okada	D14/206
D508,911	S *	8/2005	Sanders	D14/223
D510,085	S *	9/2005	Suzuki	D14/223
D510,575	S *	10/2005	Leong	D14/223
D526,642	S *	8/2006	Choe	D14/205
D528,531	S *	9/2006	Rose et al.	D14/138 R
D529,901	S *	10/2006	Ohta	D14/223
D535,642	S *	1/2007	Garcia et al.	D14/206
D542,267	S *	5/2007	Cha et al.	D14/206
D542,282	S *	5/2007	Yoshiyama	D14/223
D543,968	S *	6/2007	Wong	D14/205
D543,972	S *	6/2007	Taylor	D14/223
7,231,056	B2 *	6/2007	Chen	381/381
D550,657	S *	9/2007	Gan et al.	D14/223
D554,109	S *	10/2007	Ledbetter et al.	D14/223
D556,735	S *	12/2007	Yeo	D14/206
D558,735	S *	1/2008	Carr et al.	D14/206
D559,837	S *	1/2008	Nakano	D14/223
D564,495	S *	3/2008	Sasaki	D14/205
D566,104	S *	4/2008	Suzuki	D14/223
D569,841	S *	5/2008	Chung et al.	D14/205
D574,367	S *	8/2008	Jaakkola et al.	D14/223
D575,772	S *	8/2008	Schultz et al.	D14/223
D576,154	S *	9/2008	Ledbetter et al.	D14/223
D578,507	S *	10/2008	Ando	D14/205
D579,005	S *	10/2008	Wilhelmsen	D14/223
D579,444	S *	10/2008	Ewert et al.	D14/223
D582,398	S *	12/2008	Nam et al.	D14/223
D584,293	S *	1/2009	Kim et al.	D14/223
D585,881	S *	2/2009	Nam et al.	D14/223
D587,681	S *	3/2009	Yanai	D14/205
D589,493	S *	3/2009	Densho	D14/206
D591,264	S *	4/2009	Hong et al.	D14/205
D593,075	S *	5/2009	Williams et al.	D14/223
D594,441	S *	6/2009	Lee et al.	D14/205
7,551,748	B2 *	6/2009	Kamo et al.	381/380
D597,084	S *	7/2009	Gondo	D14/223
D598,901	S *	8/2009	Lee et al.	D14/223
D599,781	S *	9/2009	Lee et al.	D14/205
D600,675	S *	9/2009	Lee et al.	D14/205
D601,126	S *	9/2009	Christopher et al.	D14/206
D602,475	S *	10/2009	Martin	D14/223
D603,837	S *	11/2009	Martin	D14/206
D603,847	S *	11/2009	Chung	D14/223
D605,628	S *	12/2009	Ando	D14/205
D606,048	S *	12/2009	Soetejo et al.	D14/223
D607,875	S *	1/2010	Pedersen, II	381/381
7,648,005	B2 *	1/2010	Leong et al.	181/135
D609,698	S *	2/2010	Ng	D14/223
7,664,287	B2 *	2/2010	Neu et al.	381/381
D613,274	S *	4/2010	Lee et al.	D14/225
D614,168	S *	4/2010	Rogers et al.	D14/206
7,708,110	B2 *	5/2010	Leong et al.	181/135
D617,780	S *	6/2010	Jaakkola et al.	D14/223
D618,669	S *	6/2010	Johnson et al.	D14/223
D622,707	S *	8/2010	Chen et al.	D14/223
D624,529	S *	9/2010	Huang	D14/223
D626,117	S *	10/2010	Lowry	D14/223
D627,764	S *	11/2010	Tsai et al.	D14/223
7,841,446	B2 *	11/2010	Leong et al.	181/135
D628,555	S *	12/2010	Ponzio et al.	D14/205
D630,179	S *	1/2011	Park et al.	D14/138 AA
D631,037	S *	1/2011	Park et al.	D14/223
D631,470	S *	1/2011	Yoneyama et al.	D14/223
D634,305	S *	3/2011	Hoggarth	D14/223
D635,960	S *	4/2011	Gondo et al.	D14/223
D636,763	S *	4/2011	Walter	D14/223
D637,182	S *	5/2011	Lee et al.	D14/223
D637,998	S *	5/2011	Brunner et al.	D14/205
D637,999	S *	5/2011	Brunner et al.	D14/205
D641,008	S *	7/2011	Lee et al.	D14/223
D641,010	S *	7/2011	Kwon	D14/223
D641,736	S *	7/2011	Brunner et al.	D14/223
D642,163	S *	7/2011	Lee et al.	D14/223
D643,414	S *	8/2011	Lee et al.	D14/223
D643,416	S *	8/2011	Chong et al.	D14/223
D643,417	S *	8/2011	Lee et al.	D14/223
D643,418	S *	8/2011	Lee et al.	D14/223
8,068,633	B2 *	11/2011	Lee et al.	381/384
D652,817	S *	1/2012	Lee et al.	D14/205
D652,822	S *	1/2012	Lee et al.	D14/223
8,090,135	B2 *	1/2012	Lin	381/381
8,265,328	B2 *	9/2012	Milde et al.	381/381
D678,251	S *	3/2013	Cantoni et al.	D14/223
D686,196	S *	7/2013	Lee et al.	D14/223
D695,275	S *	12/2013	Chee	D14/223
D699,213	S *	2/2014	Burgett et al.	D14/205
D707,652	S *	6/2014	Brunner et al.	D14/205
D710,333	S *	8/2014	Davies et al.	D14/223
D712,382	S *	9/2014	Brunner et al.	D14/223
D713,822	S *	9/2014	Paradise et al.	D14/223
D716,770	S *	11/2014	Bonahoom et al.	D14/223
D725,637	S *	3/2015	Nakajima	D14/223
2009/0285434	A1 *	11/2009	Williams et al.	381/375
2011/0051979	A1 *	3/2011	Lee et al.	381/380
2013/0216087	A1 *	8/2013	MacDonald	381/381

* cited by examiner

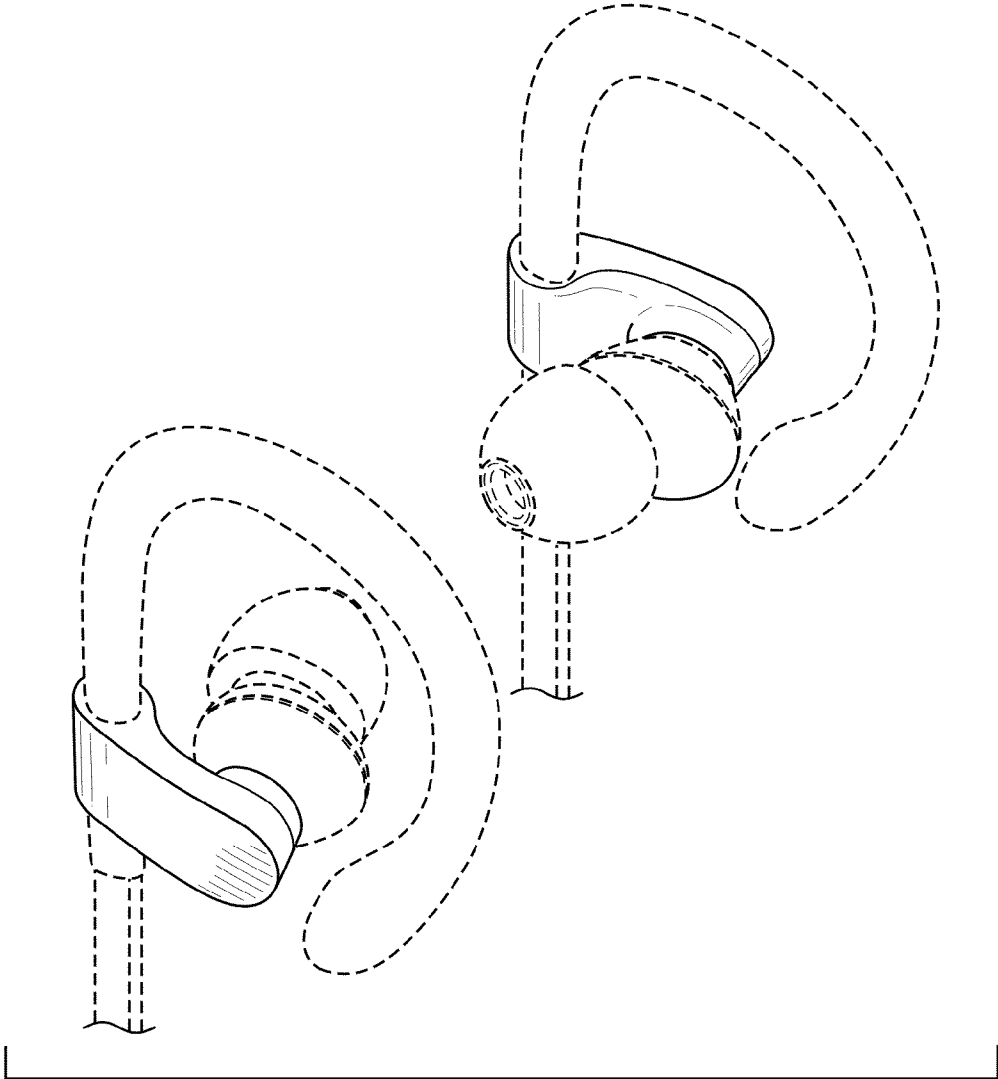


FIG. 1

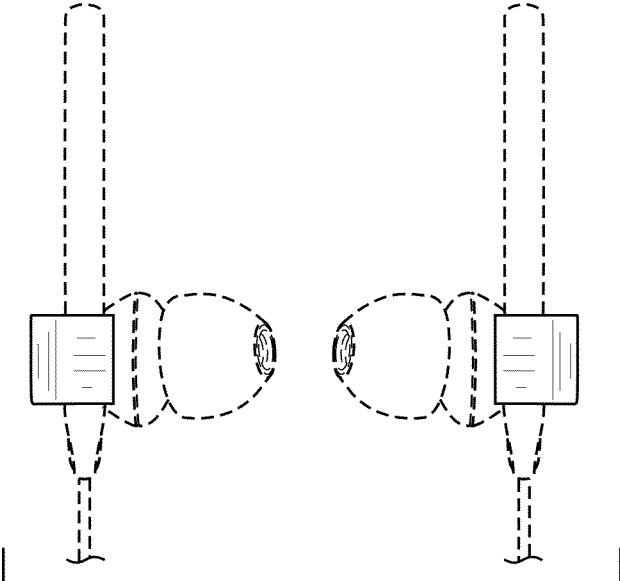


FIG. 2

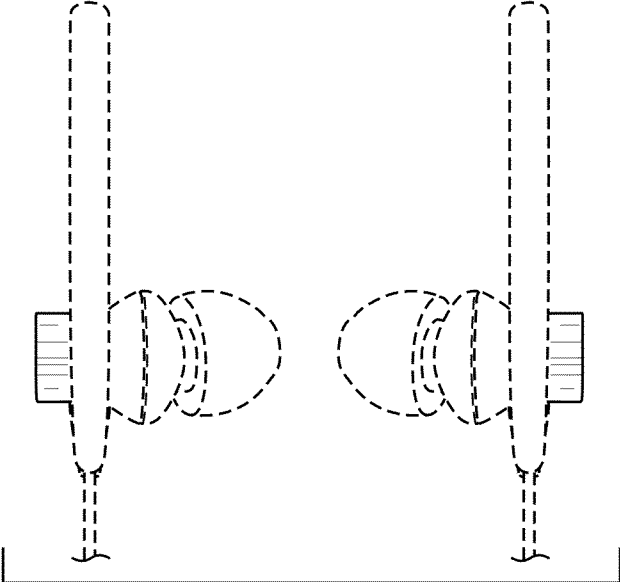


FIG. 3

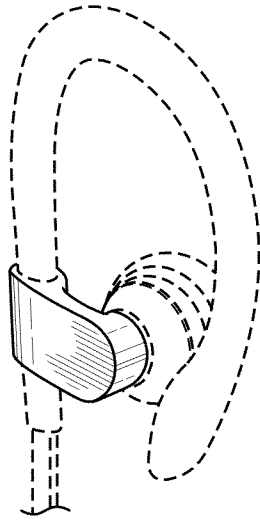


FIG. 4

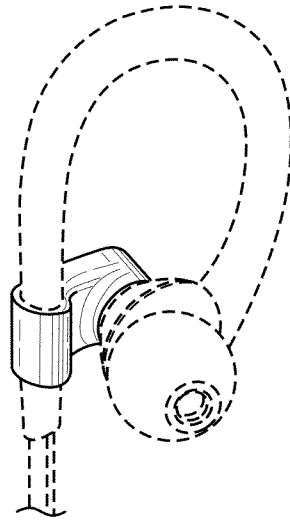


FIG. 5

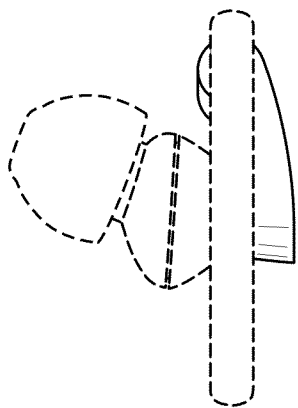


FIG. 6

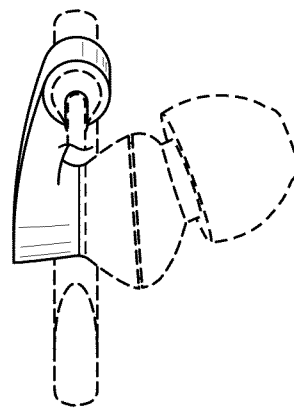


FIG. 7