



(12) **DEMANDE DE BREVET CANADIEN
CANADIAN PATENT APPLICATION**

(13) **A1**

(86) Date de dépôt PCT/PCT Filing Date: 2020/08/28
 (87) Date publication PCT/PCT Publication Date: 2021/03/04
 (85) Entrée phase nationale/National Entry: 2022/02/28
 (86) N° demande PCT/PCT Application No.: US 2020/048629
 (87) N° publication PCT/PCT Publication No.: 2021/041983
 (30) Priorités/Priorities: 2019/08/30 (US62/894,386);
 2020/08/28 (US17/006,164)

(51) Cl.Int./Int.Cl. *G06F 3/00* (2006.01),
G06F 7/00 (2006.01), *G06K 9/62* (2022.01)
 (71) Demandeur/Applicant:
 SHOEIBI, LISA, US
 (72) Inventeur/Inventor:
 SHOEIBI, LISA, US
 (74) Agent: MILTONS IP/P.I.

(54) Titre : PROCÉDES D'INDEXATION ET DE RECUPERATION DE TEXTE
 (54) Title: METHODS FOR INDEXING AND RETRIEVING TEXT

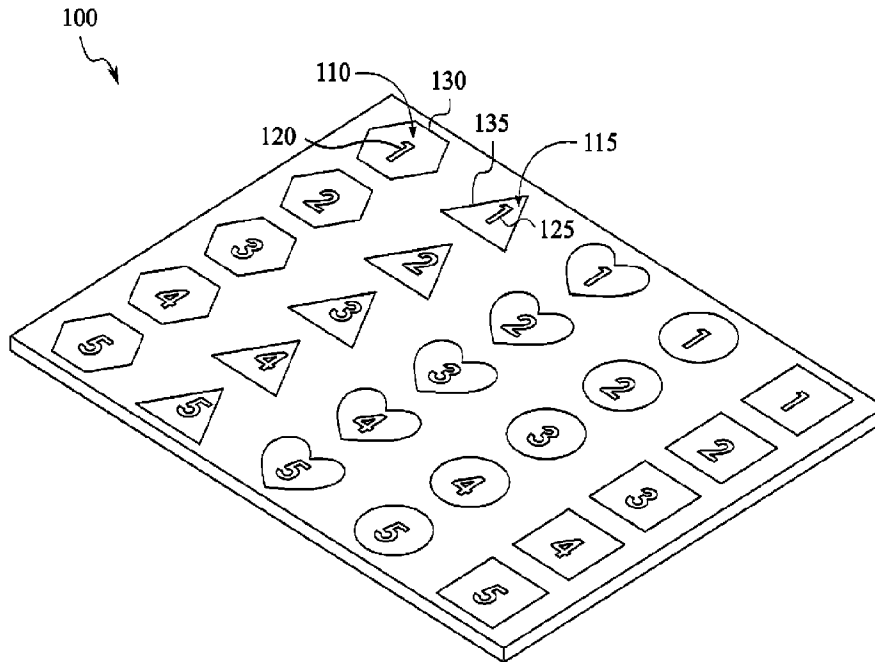


FIG 1

(57) **Abrégé/Abstract:**

A method for indexing and retrieving text that includes affixing a first text identifier adjacent to a first body of text, the first body of text is included in a physical collection of text, the first text identifier that includes a first iconography; affixing a first page identifier adjacent to a page included in the physical collection of text, the page includes the particular body of text, the first page identifier includes the first iconography; and modifying a list to include a first summary of the first body of text, the list include a table of cells arranged into rows and columns, each of the rows is associated with one of a plurality of iconographies, the plurality of iconographies includes the first iconography, each iconography is associated with one indexing item.

Date Submitted: 2022/02/28

CA App. No.: 3149773

Abstract:

A method for indexing and retrieving text that includes affixing a first text identifier adjacent to a first body of text, the first body of text is included in a physical collection of text, the first text identifier that includes a first iconography; affixing a first page identifier adjacent to a page included in the physical collection of text, the page includes the particular body of text, the first page identifier includes the first iconography; and modifying a list to include a first summary of the first body of text, the list include a table of cells arranged into rows and columns, each of the rows is associated with one of a plurality of iconographies, the plurality of iconographies includes the first iconography, each iconography is associated with one indexing item.

METHODS FOR INDEXING AND RETRIEVING TEXT

CROSS-REFERENCE TO RELATED APPLICATIONS

5

[0001] This application claims priority to U.S. Patent Application No. 17/006,164 filed August 28, 2020, which claims priority to U.S. Provisional Application No. 62/894,386 filed August 30, 2019, which are both hereby incorporated herein by reference.

10

FIELD OF INVENTION

[0002] The present disclosure relates generally to indexing systems. More specifically, the present disclosure describes methods for indexing and retrieving text.

15

BACKGROUND OF THE INVENTION

[0003] Information retrieval is the activity of obtaining information system resources that are relevant to an information need from a collection of those resources. Searches can be based on full-text or other content-based indexing. Information retrieval includes the science of searching for information in a document, searching for documents themselves, and also searching for the metadata that describes data, and for databases of texts, images or sounds. Subject indexing is the act of describing or classifying a document by index terms or other symbols in order to indicate what the document is about, to summarize its content or to increase its findability. In other words, it is about identifying and describing the subject of documents. Indexes can be constructed, separately, on three distinct levels: terms in a document such as a book; objects in a collection such as a library; and documents (such as books and articles) within a field of knowledge.

30

BRIEF DESCRIPTION OF THE DRAWINGS

[0004] Some of the embodiments will be described in detail, with reference to the following figures, wherein like designations denote like members, wherein:

5

[0005] FIG. 1 depicts a first sheet, according to some embodiments.

[0006] FIG. 2 depicts a second sheet, according to other embodiments.

[0007] FIG. 3 depicts a third sheet, according to certain embodiments.

[0008] FIG. 4 depicts a fourth sheet, according to yet still other embodiments.

10 [0009] FIG. 5 depicts a physical collection of text as well as text identifiers and page identifiers affixed thereto, according to some embodiments.

[0010] FIG. 6 depicts process steps of a method for indexing and retrieving text, according to other embodiments.

15 [0011] FIG. 7 depicts process steps of a method for indexing and retrieving text, according to certain embodiments.

[0012] FIG. 8 depicts process steps of a method for indexing and retrieving text, according to yet still other embodiments.

20 [0013] Unless otherwise specifically noted, articles depicted in the drawings are not necessarily drawn to scale.

DETAIL DESCRIPTIONS OF THE INVENTION

25 [0014] As a preliminary matter, it will readily be understood by one having ordinary skill in the relevant art that the present disclosure has broad utility and application. As should be understood, any embodiment may incorporate only one or a plurality of the above-disclosed aspects of the disclosure and may further incorporate only one or a plurality of the above-disclosed features. Furthermore, any embodiment discussed and identified as
30 being “preferred” is considered to be part of a best mode contemplated for carrying out the embodiments of the present disclosure. Other embodiments also may be discussed for

additional illustrative purposes in providing a full and enabling disclosure. Moreover, many embodiments, such as adaptations, variations, modifications, and equivalent arrangements, will be implicitly disclosed by the embodiments described herein and fall within the scope of the present disclosure.

5 [0015] Accordingly, while embodiments are described herein in detail in relation to one or more embodiments, it is to be understood that this disclosure is illustrative and exemplary of the present disclosure, and are made merely for the purposes of providing a full and enabling disclosure. The detailed disclosure herein of one or more embodiments is not intended, nor is to be construed, to limit the scope of patent protection afforded in
10 any claim of a patent issuing here from, which scope is to be defined by the claims and the equivalents thereof. It is not intended that the scope of patent protection be defined by reading into any claim a limitation found herein that does not explicitly appear in the claim itself.

[0016] Thus, for example, any sequence(s) and/or temporal order of steps of various
15 processes or methods that are described herein are illustrative and not restrictive. Accordingly, it should be understood that, although steps of various processes or methods may be shown and described as being in a sequence or temporal order, the steps of any such processes or methods are not limited to being carried out in any particular sequence or order, absent an indication otherwise. Indeed, the steps in such processes or methods
20 generally may be carried out in various different sequences and orders while still falling within the scope of the present disclosure. Accordingly, it is intended that the scope of patent protection is to be defined by the issued claim(s) rather than the description set forth herein.

[0017] Additionally, it is important to note that each term used herein refers to that which
25 an ordinary artisan would understand such term to mean based on the contextual use of such term herein. To the extent that the meaning of a term used herein—as understood by the ordinary artisan based on the contextual use of such term—differs in any way from any particular dictionary definition of such term, it is intended that the meaning of the term as understood by the ordinary artisan should prevail.

30 [0018] Furthermore, it is important to note that, as used herein, “a” and “an” each generally denotes “at least one,” but does not exclude a plurality unless the contextual use

dictates otherwise. When used herein to join a list of items, “or” denotes “at least one of the items,” but does not exclude a plurality of items of the list. Finally, when used herein to join a list of items, “and” denotes “all of the items of the list.”

[0019] The following detailed description refers to the accompanying drawings.

5 Wherever possible, the same reference numbers are used in the drawings and the following description to refer to the same or similar elements. While many embodiments of the disclosure may be described, modifications, adaptations, and other implementations are possible. For example, substitutions, additions, or modifications may be made to the elements illustrated in the drawings, and the methods described herein
10 may be modified by substituting, reordering, or adding stages to the disclosed methods. Accordingly, the following detailed description does not limit the disclosure. Instead, the proper scope of the disclosure is defined by the appended claims. The present disclosure contains headers. It should be understood that these headers are used as references and are not to be construed as limiting upon the subjected matter disclosed under the header.

15 [0020] Other technical advantages may become readily apparent to one of ordinary skill in the art after review of the following figures and description. It should be understood at the outset that, although exemplary embodiments are illustrated in the figures and described below, the principles of the present disclosure may be implemented using any number of techniques, whether currently known or not. The present disclosure should in
20 no way be limited to the exemplary implementations and techniques illustrated in the drawings and described below.

[0021] The present disclosure includes many aspects and features. Moreover, while many aspects and features relate to, and are described in the context of the indexing and retrieval of text, embodiments of the present disclosure are not limited to use only in this
25 context.

[0022] Information retrieval is the activity of obtaining information system resources that are relevant to an information need from a collection of those resources. Searches can be based on full-text or other content-based indexing. Information retrieval includes the science of searching for information in a document, searching for documents themselves,
30 and also searching for the metadata that describes data, and for databases of texts, images or sounds. Subject indexing is the act of describing or classifying a document by index

terms or other symbols in order to indicate what the document is about, to summarize its content or to increase its findability. In other words, it is about identifying and describing the subject of documents.

[0023] Indexes can be constructed, separately, on three distinct levels: terms in a document such as a book; objects in a collection such as a library; and documents (such as books and articles) within a field of knowledge. Embodiments disclosed herein seek to provide methods for the indexing of text that is included in a physical collection of text. As used herein, “physical collection of text” refers to books and periodicals (e.g., newspapers, journals, newsletters, magazines, and similar serial publications that appear in a new edition on a regular basis). Embodiments of the instant application seek to disclose methods for retrieving the indexed text.

[0024] In preferred embodiments, the method includes the use of a first sheet **100**, a second sheet **200**, and a third sheet **300**. The method can also include the use of a fourth sheet **400**. The first sheet **100**, the second sheet **200**, the third sheet **300**, and/or the fourth sheet **400** (“the sheets”) each preferably include a plurality of printed paper, plastic, vinyl, or other material that has pressure sensitive adhesive on one side (e.g., stickers, adhesive labels, adhesive notices, etc.). For example, the pressure sensitive adhesive can be used for temporary or permanent attachment. The sheets can each be or include any colors, shapes, and/or sizes to facilitate one or more embodiments disclosed herein. As depicted in FIG. 1, the first sheet **100** preferably includes a plurality of text identifiers (e.g., text identifiers **110** and text identifiers **115**) on the pressure sensitive adhesive on one side.

[0025] For example, each text identifier **110** includes an enumeration **120** and each text identifier **115** includes an enumeration **125**. Each set of text identifiers preferably includes a specific iconography (e.g., a specific shape and/or color). For example, each text identifier **110** includes an iconography **130**, which is hexagonal in shape. Similarly, each text identifier **115** includes an iconography **135**, which is triangular in shape. FIG. 2 depicts the second sheet, generally **200**, according to certain embodiments. The second sheet **200** preferably includes a plurality of page identifiers (e.g., page identifiers **210** and page identifiers **215**). For example, each page identifier **210** includes an enumeration **230**

and each page identifier **215** includes an enumeration **235**. Each set of page identifiers preferably includes a specific iconography (e.g., a specific shape and/or color).

[0026] For example, each page identifier **210** includes an iconography **130** and each page identifier **215** includes an iconography **135**. In other words, text identifiers and page

5 identifiers that have the same iconography and enumerations are configured to be used together. FIG. 3 depicts third sheet, generally **300**, according to other embodiments. The third sheet **300** preferably includes a list **305**, which includes a table of cells **306** arranged into rows (e.g., rows **315**) and columns (e.g., columns **320** and **325**). In other

embodiments, a row **315** can include one or more subordinated rows. Some rows are
10 used to store text summaries (e.g., text summary **310** and text summary **330**). Some rows include enumerations **335**. In preferred embodiments, each row is associated with an iconography (e.g., the iconography **110** and the iconography **115**). Here, each iconography (e.g., the iconography **110**) is associated with an indexing item **316** (e.g., fear, promises, healing, angels, strength). In preferred embodiments, each row is
15 enumerated (i.e. includes an enumeration **330**) to coincide with the enumeration of a particular text identifier and page identifier. For example, text summary **310** (“TEXT SUMMARY A”) coincides with the enumerations **120** and **230** of the text identifier **110** and the **210** page.

[0027] FIG. 4 depicts a fourth sheet, generally **400**, according to certain embodiments.

20 The fourth sheet **400** preferably includes the same iconographies as the first sheet **100** and the second sheet **200** (e.g., the iconography **110** and the iconography **115**). The iconographies included in the fourth sheet **400** can be affixed to the list **305** to associate the indexing item **316** with a particular iconography (e.g., the iconography **110**). For example, iconography **115** is preferably affixed to the list **305** to thereby associate the
25 iconography with indexing item **317**. Hence, text identifiers (e.g., the text identifier **110**) and page identifiers (e.g., the page identifier **210**) that each include, for example, the iconography **110** are associated with the indexing item **316**. The text identifiers and the page identifiers that have the same enumerations are related.

[0028] FIGS. 5-8 are utilized herein to depict the process steps of a method to enable
30 indexing and retrieval of text, according to other embodiments. To be sure, the process steps described herein may be modified by substituting, reordering, or adding step to the

disclosed methods. As used herein, text identifiers **510** and **505** are text identifiers that perform the same function(s) as text identifiers **110** and **115** (e.g., each text identifier includes an iconography and enumeration). Page identifiers **515** and **520** are page identifiers that perform the same function(s) and includes the same components as the

5 page identifiers **210** and **215** (e.g., each page identifier includes an iconography and enumeration). The text identifier **505** and the page identifier **515** each include the same iconography (e.g., a heart) and enumeration (e.g., “1”). Similarly, the text identifier **510** and the page identifier **520** each include the same iconography (e.g., a hexagon) and enumeration (e.g., “4”). At Step **600**, a first text identifier (e.g., the text identifier **505**) is

10 affixed adjacent to a first body of text (e.g., text **525**), the first body of text is included in a physical collection of text **500**, and the first text identifier comprises a first iconography (i.e. the heart shape). At Step **605**, a first page identifier is affixed adjacent to a page **535** included in the physical collection of text **535**, the page **535** includes the first body of text, and the first page identifier comprises the first iconography. At Step **610**, a list **305**

15 is modified to include a first summary of the first body of text (e.g., similar to the text summary **330**), the list **305** is a table of cells arranged into rows (e.g., row **315**) and columns (e.g., columns **320** and **325**). Here, each of the rows is associated with one of a plurality of iconographies (e.g., the iconography **110** and the iconography **115**). The plurality of iconographies include the first iconography and each is associated with an

20 indexing item (e.g., indexing item **316** and indexing item **317**).

[0029] At step **615**, a second text identifier (e.g., the text identifier **510**) is affixed adjacent to a second body of text (e.g., text **530**), the second body of text included in the physical collection of text, and the second text identifier includes a second iconography (e.g., the hexagon shape). At Step **620**, a second page identifier is affixed adjacent to a

25 second page (e.g., the page **535** or another page) included in the physical collection of text, the second page includes the second body of text, the second page identifier includes the second iconography, and the second iconography is not the first iconography. In embodiments where the same iconography is shared by the first iconography and the second iconography, each would include a different enumeration. At Step **625**, the list

30 **305** is modified to include a second summary of the second body of text (e.g., the text summary **310**), the plurality of iconographies comprise the second iconography. At Step

630, a first sheet (e.g., the sheet **100**) is formed that includes a plurality of the first text identifiers (e.g., the text identifiers **110**) and a plurality of the second text identifiers (e.g., the text identifiers **115**). At Step **635**, each of the plurality of the first text identifiers are enumerated (e.g., include enumerations **120**) to correspond to one of the rows **315** of the list **305**.

[0030] At Step **640**, each of the plurality of the second text identifiers (e.g., the text identifiers **115**) are enumerated (e.g., include enumerations **125**) to correspond to one of the rows **315** of the list **305**. At Step **645**, a second sheet (e.g., the sheet **200**) is formed that includes a plurality of the first page identifiers (e.g., the page identifiers **210**) and a plurality of the second page identifiers (e.g., the page identifiers **215**). At Step **650**, each of the plurality of the first page identifiers are enumerated (i.e. each includes an enumeration **230**) to correspond to one of the rows **315** of the list **305**. At Step **655**, each of the plurality of the second page identifiers are enumerated (i.e. each includes an enumeration **235**) to correspond to one of the rows **315** of the list **305**.

[0031] In some embodiments, at Step **700**, a first row (e.g., the row that includes text summary **330**) included in the rows is modified to accomplish Step **610**. Here, the first row is associated with the first iconography and the first row includes a first enumeration (e.g., “**1**”) that corresponds to the first text identifier and the first page identifier, as depicted in FIG. **7A**. To retrieve the text associated with a text summary, the page identifier that shares the same iconography and enumeration as the text summary is located. Next, the text associated with the text summary is retrieved when the text identifier that shares the same iconography and enumeration as the page identifier is located.

[0032] In certain embodiments, at Step **705**, a second row (e.g., the row that includes the text summary **310**) included in the rows **315** is modified to accomplish Step **625**, the second row associated with the second iconography, the second row comprises a second enumeration (e.g., “**4**”) that corresponds to the second text identifier and the second page identifier, as depicted in FIG. **7B**. To be sure, different iconographies can each include the same enumeration since each iconography is associated with a particular indexing item. In other embodiments, the physical collection of text **500** is formed to be a book or a periodical at Step **805**. At Step **810**, the physical collection of text **500** is formed to at

least include the first sheet **100**, the second sheet **200** and the third sheet **300** (i.e. the list **305**). In other words, the physical collection of text **500** can include the first sheet **100**, the second sheet **200** and the third sheet **300** to facilitate the indexing and retrieval of information included therein.

5 **[0033]** As various modifications could be made in the constructions and methods herein described and illustrated without departing from the scope of the invention, it is intended that all matter contained in the foregoing description or shown in the accompanying drawings shall be interpreted as illustrative rather than limiting. Thus, the breadth and scope of the present invention should not be limited by any of the above-described
10 exemplary embodiments, but should be defined only in accordance with the following claims appended hereto and their equivalents.

CLAIMS

1. A method for indexing and retrieving text, comprising:

5 affixing a first text identifier adjacent to a first body of text, the first body of text is included in a physical collection of text, the first text identifier comprises a first iconography;

affixing a first page identifier adjacent to a page included in the physical collection of text, the page includes the particular body of text, the first page identifier comprises the first iconography; and

10 modifying a list to comprise a first summary of the first body of text, the list comprises a table of cells arranged into rows and columns, each of the rows is associated with one of a plurality of iconographies, the plurality of iconographies comprise the first iconography, each iconography is associated with one indexing item.

15 2. The method of claim 1, further comprising:

affixing a second text identifier adjacent to a second body of text, the second body of text included in the physical collection of text, the second text identifier comprises a second iconography;

20 affixing a second page identifier adjacent to a second page included in the physical collection of text, the second page includes the second body of text, the second page identifier comprises the second iconography, the second iconography is not the first iconography;

modifying the list to comprise a second summary of the second body of text, the plurality of iconographies comprise the second iconography.

25 3. The method of claim 2, further comprising:

forming a first sheet, the first sheet comprises a plurality of the first text identifiers and a plurality of the second text identifiers;

30 enumerating the plurality of the first text identifiers to each correspond to one of the rows of the list; and

enumerating the plurality of the second text identifiers to each correspond to one of the rows of the list.

4. The method of claim 3, further comprising:

5 forming a second sheet, the second sheet to comprises a plurality of the first page identifiers and a plurality of the second page identifiers;

enumerating the plurality of the first page identifiers to each correspond to one of the rows of the list; and

10 enumerating the plurality of the second page identifiers to each correspond to one of the rows of the list.

5. The method of claim 4, further comprising forming the physical collection of text, the physical collection of text is a book or a periodical.

15 6. The method of claim 5, wherein forming the physical collection of text comprises forming the physical collection of text to include the first sheet, the second sheet, and the list.

20 7. The method of claim 6, wherein modifying the list to comprise the first summary of the first body of text comprises:

modifying a first row included in the rows, the first row associated with the first iconography, the first row comprises a first enumeration that corresponds to the first text identifier and the first page identifier.

25 8. The method of claim 7, wherein modifying the list to comprise the second summary of the second body of text comprises:

modifying a second row included in the rows, the second row associated with the second iconography, the second row comprises a second enumeration that corresponds to the second text identifier and the second page identifier.

30

9. A method for indexing and retrieving text, comprising:

affixing a first text identifier adjacent to a first body of text, the first body of text is included in a physical collection of text, the first text identifier comprises a first iconography;

5 affixing a first page identifier adjacent to a page included in the physical collection of text, the page includes the particular body of text, the first page identifier comprises the first iconography;

10 modifying a list to comprise a first summary of the first body of text, the list comprises a table of cells arranged into rows and columns, each of the rows is associated with one of a plurality of iconographies, the plurality of iconographies comprise the first iconography, each iconography is associated with one indexing item;

affixing a second text identifier adjacent to a second body of text, the second body of text included in the physical collection of text, the second text identifier comprises a second iconography;

15 affixing a second page identifier adjacent to a second page included in the physical collection of text, the second page includes the second body of text, the second page identifier comprises the second iconography, the second iconography is not the first iconography; and

20 modifying the list to comprise a second summary of the second body of text, the plurality of iconographies comprise the second iconography.

10. The method of claim 9, further comprising:

forming a first sheet, the first sheet comprises a plurality of the first text identifiers and a plurality of the second text identifiers;

25 enumerating the plurality of the first text identifiers to each correspond to one of the rows of the list; and

enumerating the plurality of the second text identifiers to each correspond to one of the rows of the list.

11. The method of claim 10, further comprising:

30 forming a second sheet, the second sheet to comprises a plurality of the first page identifiers and a plurality of the second page identifiers;

enumerating the plurality of the first page identifiers to each correspond to one of the rows of the list; and

enumerating the plurality of the second page identifiers to each correspond to one of the rows of the list.

5

12. The method of claim 11, further comprising forming the physical collection of text, the physical collection of text is a book or a periodical.

13. The method of claim 12, wherein forming the physical collection of text
10 comprises forming the physical collection of text to include the first sheet, the second sheet, and the list.

14. The method of claim 13, wherein modifying the list to comprise the first summary of the first body of text comprises:

15 modifying a first row included in the rows, the first row associated with the first iconography, the first row comprises a first enumeration that corresponds to the first text identifier and the first page identifier.

15. The method of claim 14, wherein modifying the list to comprise the second
20 summary of the second body of text comprises:

modifying a second row included in the rows, the second row associated with the second iconography, the second row comprises a second enumeration that corresponds to the second text identifier and the second page identifier.

25 16. A method for indexing and retrieving text, comprising:

affixing a first text identifier adjacent to a first body of text, the first body of text is included in a physical collection of text, the first text identifier comprises a first iconography;

30 affixing a first page identifier adjacent to a page included in the physical collection of text, the page includes the particular body of text, the first page identifier comprises the first iconography;

modifying a list to comprise a first summary of the first body of text, the list comprises a table of cells arranged into rows and columns, each of the rows is associated with one of a plurality of iconographies, the plurality of iconographies comprise the first iconography, each iconography is associated with one indexing item;

5 affixing a second text identifier adjacent to a second body of text, the second body of text included in the physical collection of text, the second text identifier comprises a second iconography;

affixing a second page identifier adjacent to a second page included in the physical collection of text, the second page includes the second body of text, the second
10 page identifier comprises the second iconography, the second iconography is not the first iconography;

modifying the list to comprise a second summary of the second body of text, the plurality of iconographies comprise the second iconography;

forming a first sheet, the first sheet comprises a plurality of the first text
15 identifiers and a plurality of the second text identifiers;

enumerating the plurality of the first text identifiers to each correspond to one of the rows of the list; and

enumerating the plurality of the second text identifiers to each correspond to one
20 of the rows of the list.

17. The method of claim 16, further comprising:

forming a second sheet, the second sheet to comprises a plurality of the first page
identifiers and a plurality of the second page identifiers;

enumerating the plurality of the first page identifiers to each correspond to one of
25 the rows of the list; and

enumerating the plurality of the second page identifiers to each correspond to one
of the rows of the list.

18. The method of claim 17, further comprising forming the physical collection
30 of text, the physical collection of text is a book or a periodical.

19. The method of claim 18, wherein forming the physical collection of text comprises forming the physical collection of text to include the first sheet, the second sheet, and the list.

5 20. The method of claim 19, wherein modifying the list to comprise the first summary of the first body of text comprises:

 modifying a first row included in the rows, the first row associated with the first iconography, the first row comprises a first enumeration that corresponds to the first text identifier and the first page identifier; and

10 modifying a second row included in the rows, the second row associated with the second iconography, the second row comprises a second enumeration that corresponds to the second text identifier and the second page identifier.

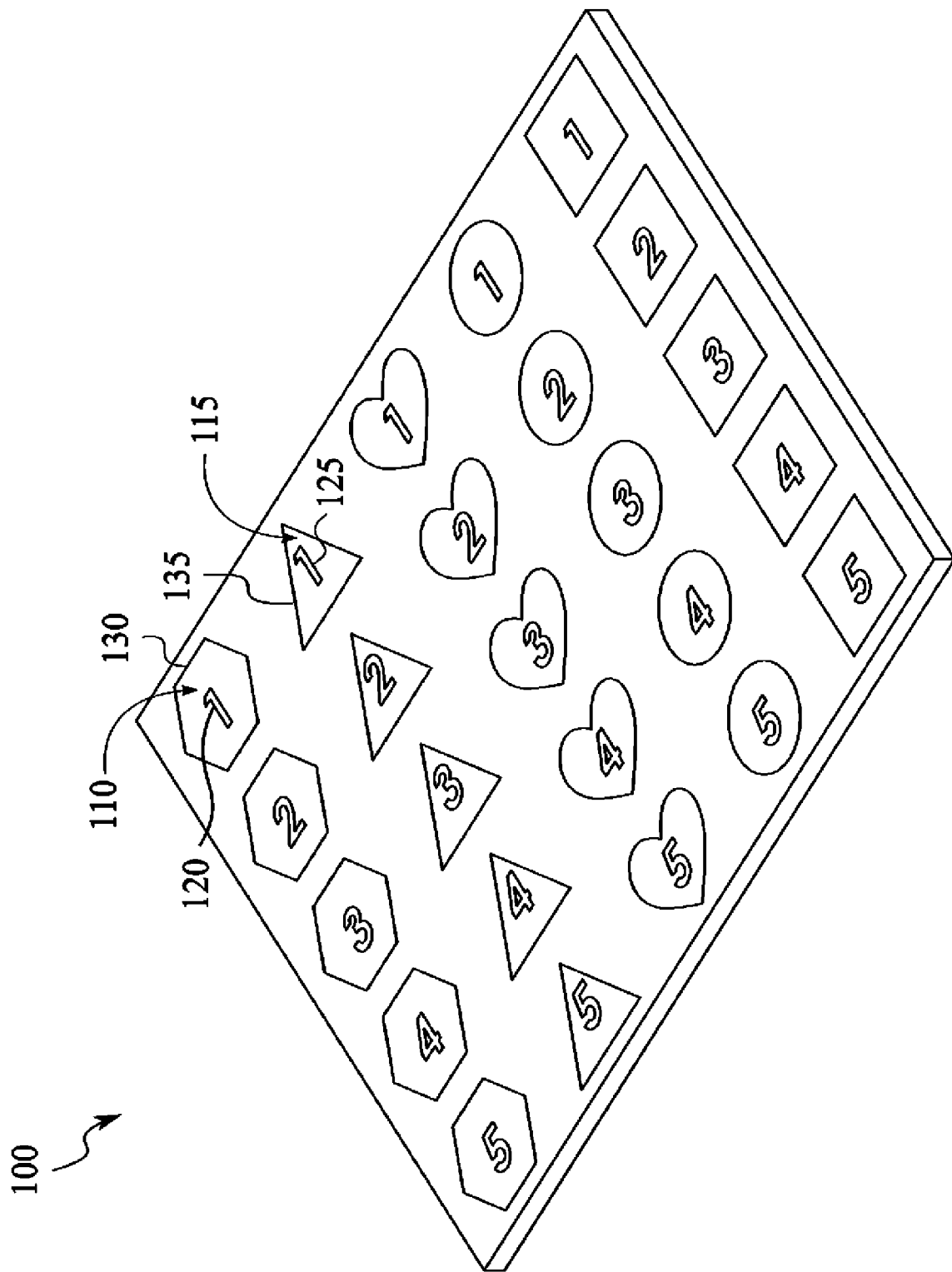


FIG 1

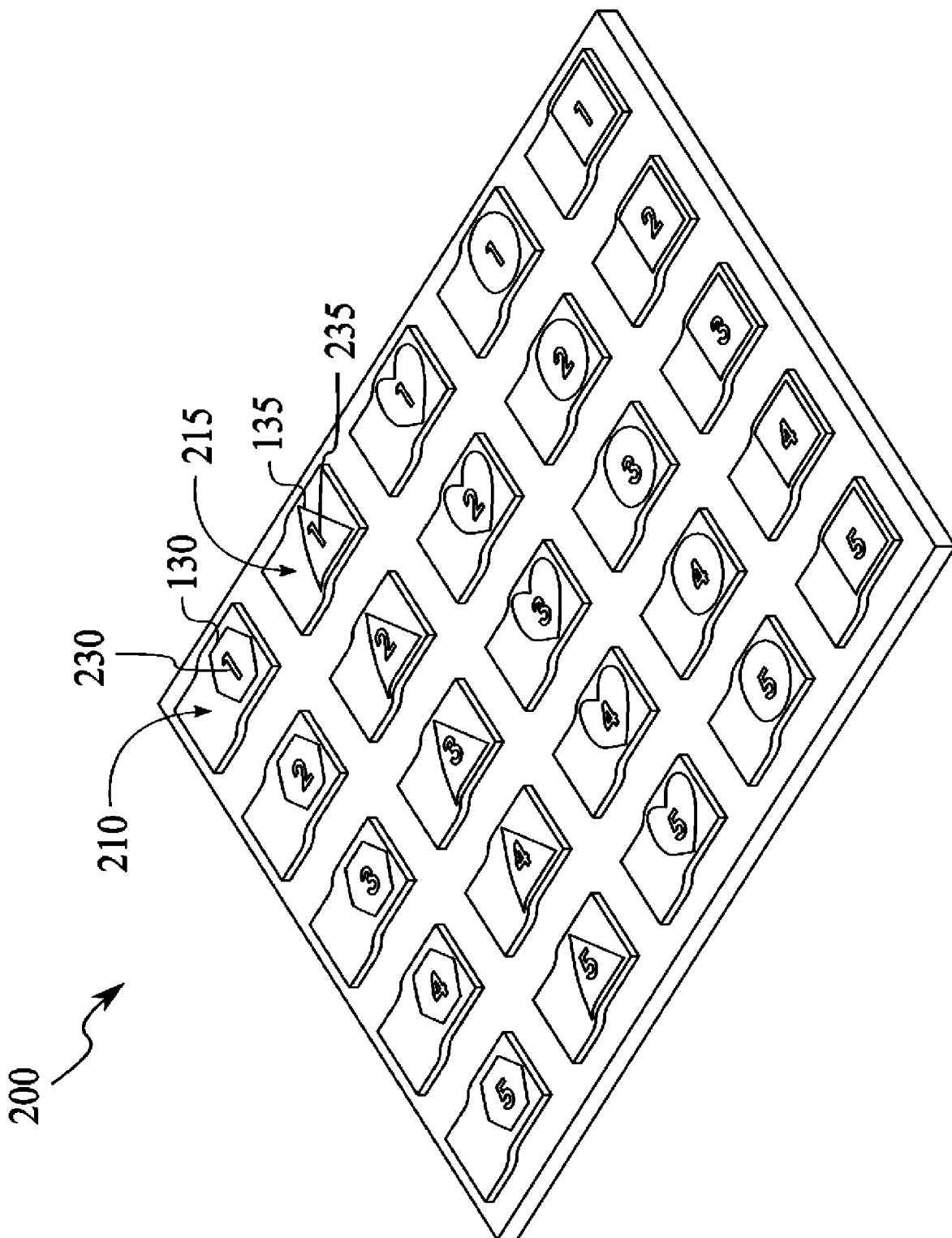


FIG 2

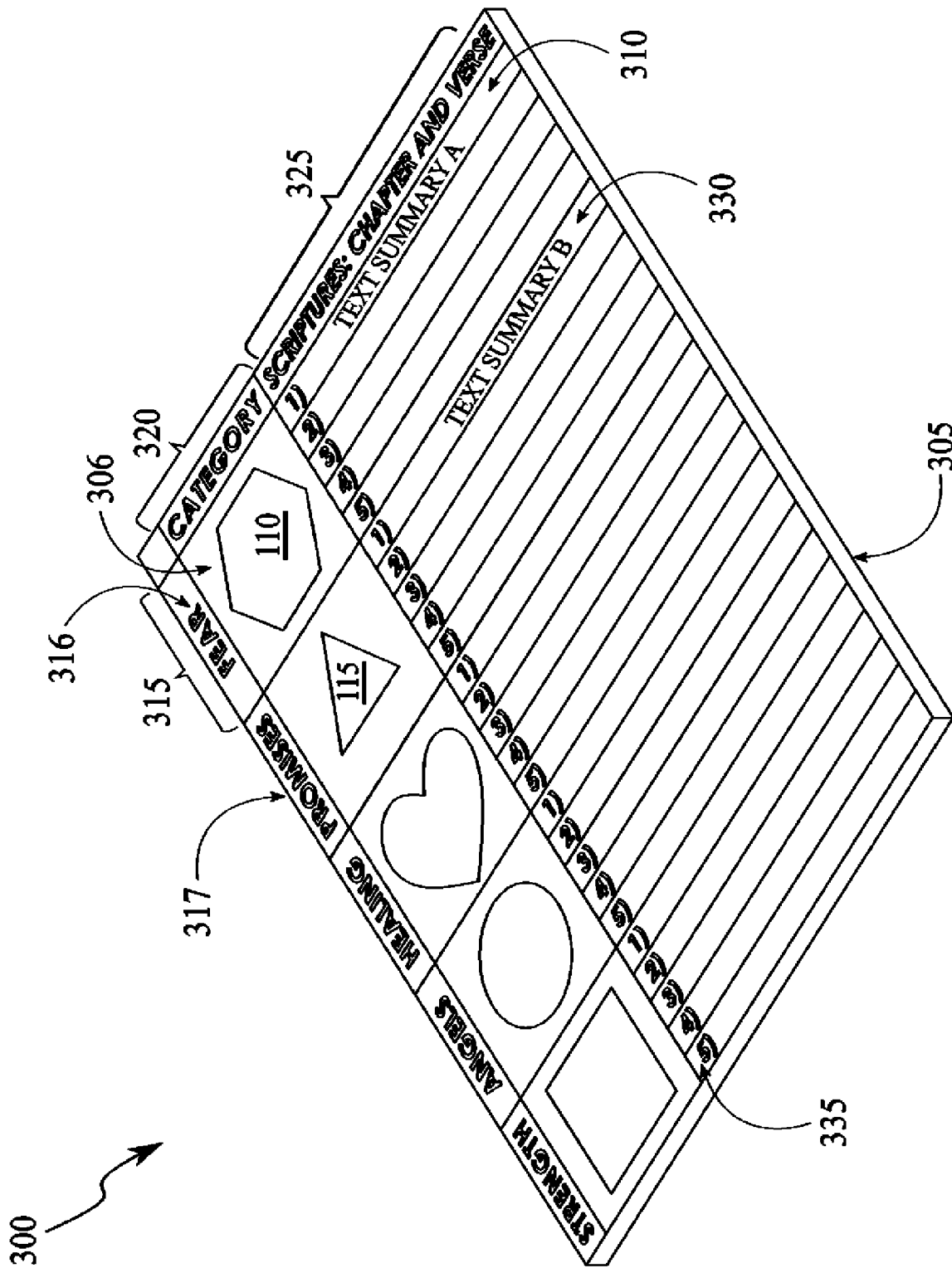


FIG 3

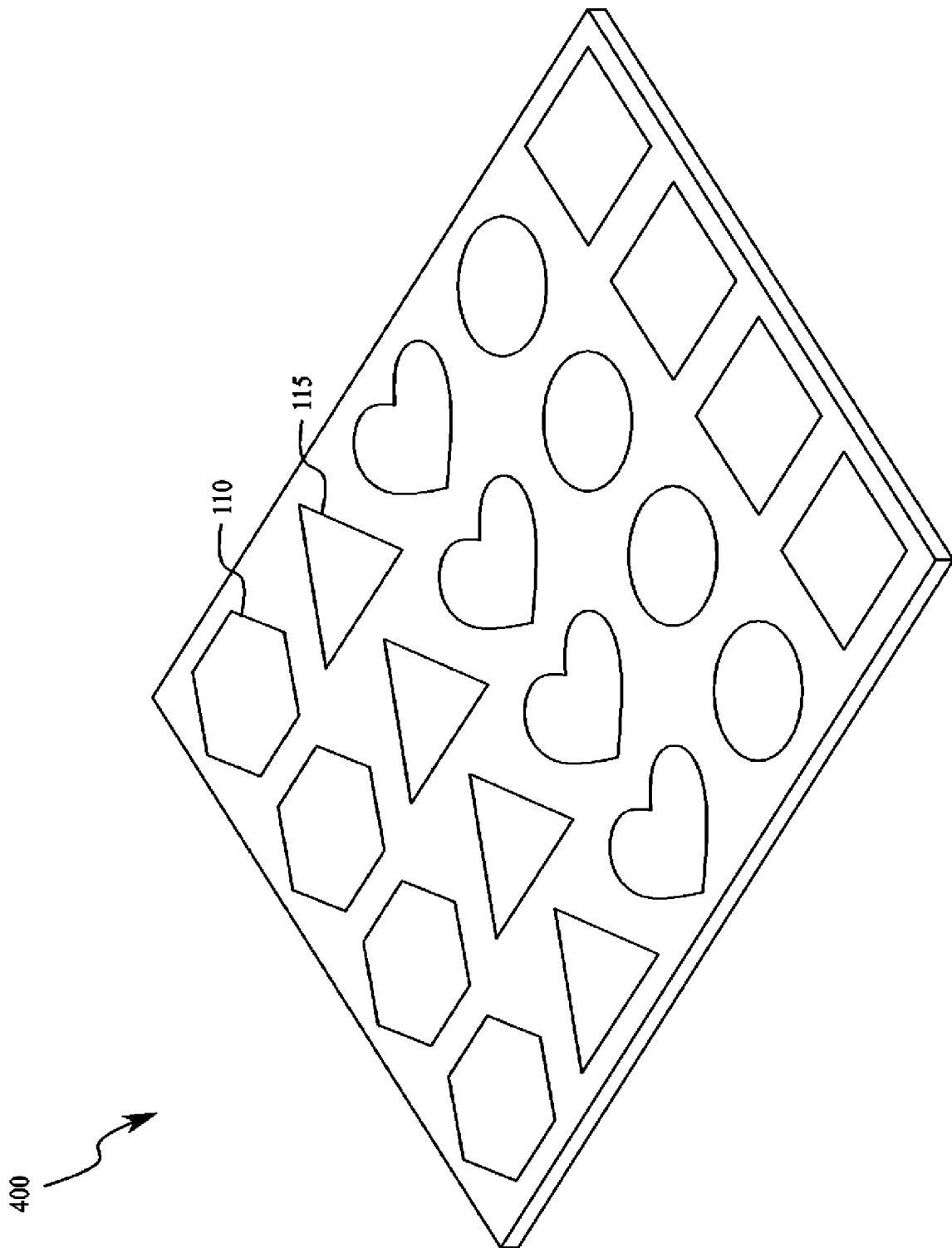


FIG 4

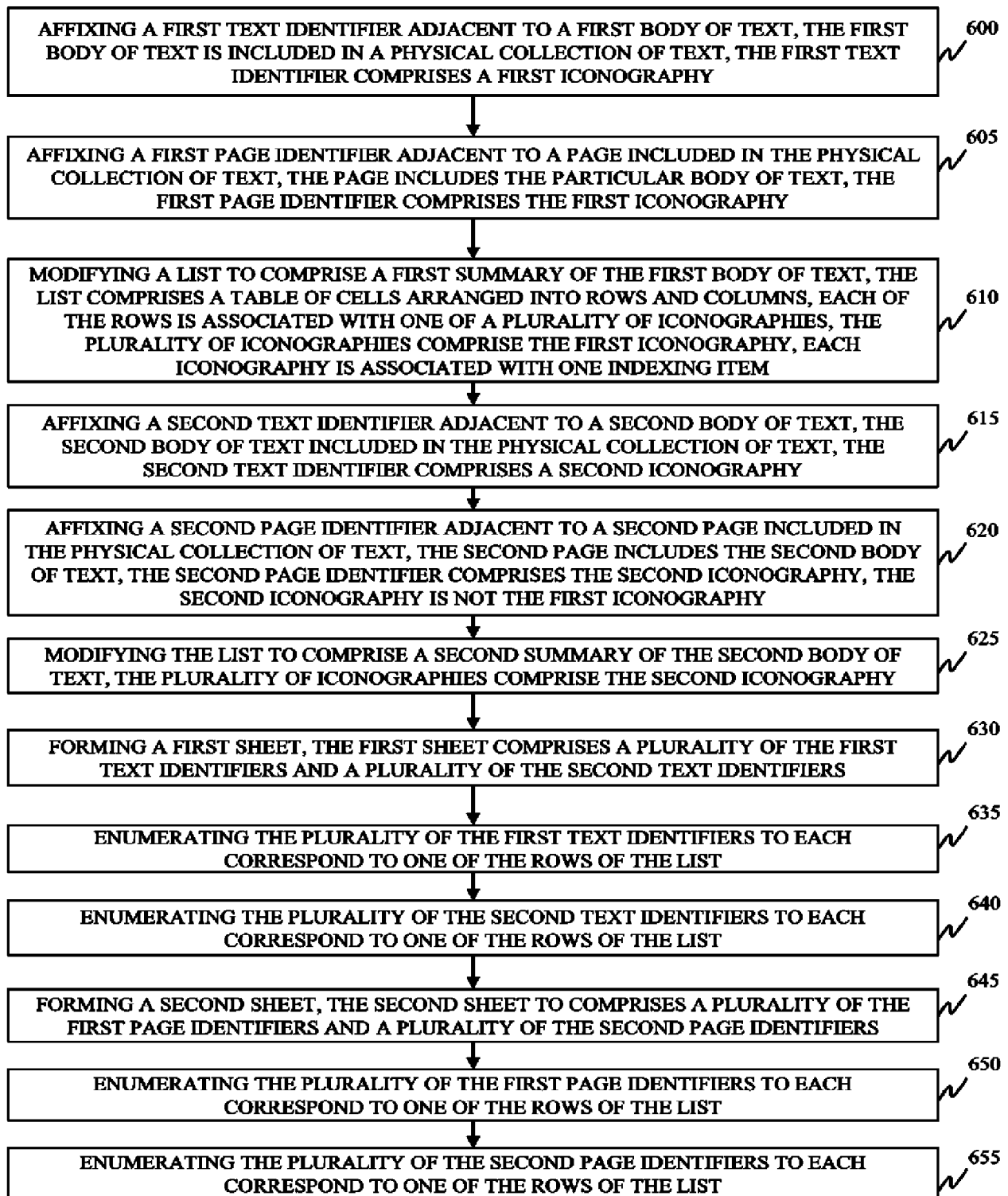


FIG. 6

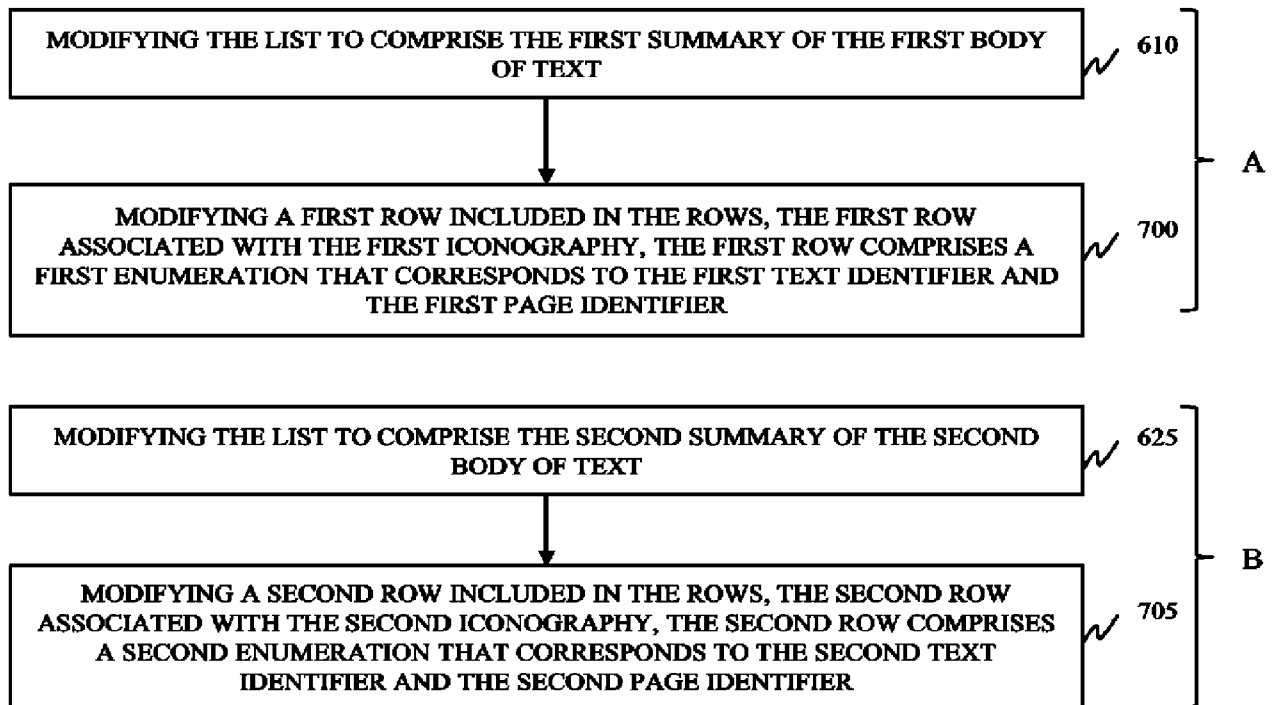


FIG. 7

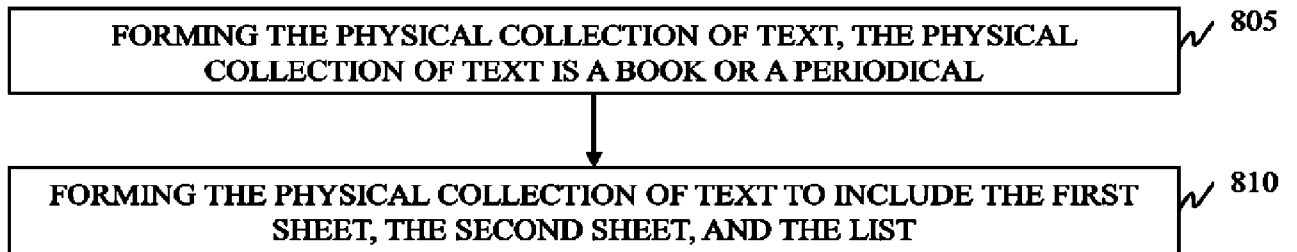


FIG. 8

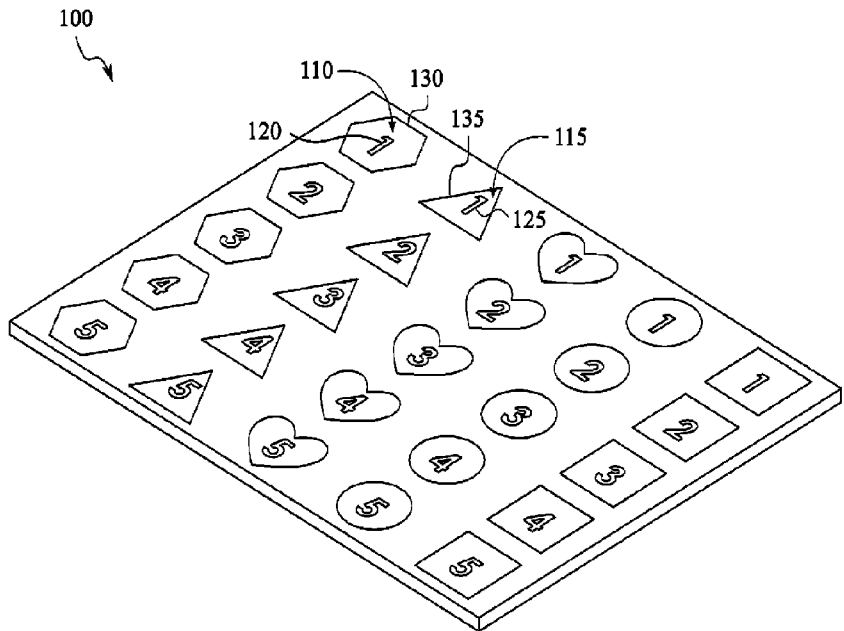


FIG 1