



US00D885271S

(12) **United States Design Patent**
Lu

(10) **Patent No.:** **US D885,271 S**

(45) **Date of Patent:** **** May 26, 2020**

- (54) **WINDOW SCOOP**
- (71) Applicant: **Turn 5, Inc.**, Malvern, PA (US)
- (72) Inventor: **Shunguo Lu**, Danyang (CN)
- (73) Assignee: **Turn 5, Inc.**, Paoli, PA (US)
- (**) Term: **15 Years**
- (21) Appl. No.: **29/596,318**
- (22) Filed: **Mar. 7, 2017**
- (51) **LOC (12) Cl.** **12-16**
- (52) **U.S. Cl.**
USPC **D12/181; D12/183**
- (58) **Field of Classification Search**
USPC D12/163, 164, 169, 171, 173, 181, 183,
D12/184, 190, 196, 216, 90, 91, 92;
D15/89; D23/354, 371, 385, 387, 388,
D23/393, 412; D25/155; D26/120, 121,
D26/59, 72; D6/703.5
CPC B60H 1/248; B60H 1/262; B60H 1/34;
B60K 11/08; B60K 13/02; B60K 35/00;
B62D 35/00; B63B 3/66; F24F 13/20;
F24F 13/082
See application file for complete search history.

D575,698	S *	8/2008	Chiang	D12/173
D644,584	S *	9/2011	Vardis	D12/190
8,181,728	B2 *	5/2012	Hartland	B60K 11/08 180/68.1
D666,285	S *	8/2012	Schrad	D23/387
D685,691	S *	7/2013	Messale	D12/163
D726,080	S *	4/2015	Mays	D12/173
D741,768	S *	10/2015	Brzustowicz	D12/196
D788,659	S *	6/2017	Jelec	D12/163
D801,897	S *	11/2017	Buck	D12/190
9,855,981	B1 *	1/2018	Dunford	B62D 35/00
D812,216	S *	3/2018	Langford	D23/393
D817,236	S *	5/2018	DiCanzio	D12/173
D823,753	S *	7/2018	Stone	D12/173
D826,798	S *	8/2018	Behmer	D12/163
D829,624	S *	10/2018	Jamieson	D12/196
D835,551	S *	12/2018	DiCanzio	D12/173

* cited by examiner

Primary Examiner — Susan E Krakower
Assistant Examiner — Jerry Shiuan-Hua Hsu
(74) *Attorney, Agent, or Firm* — Schott P.C.

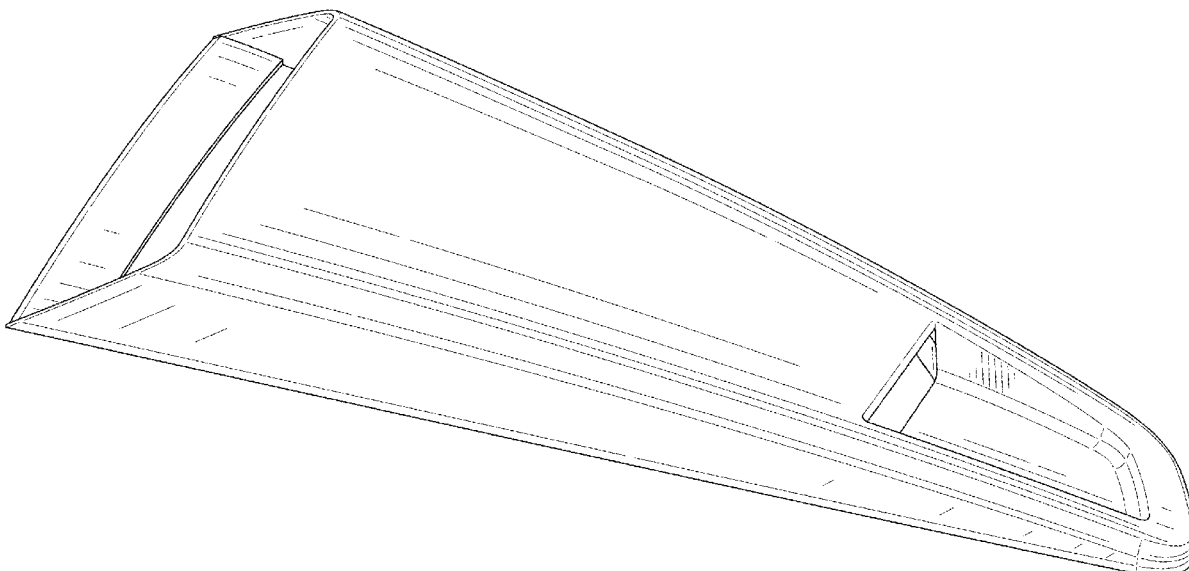
(57) **CLAIM**

The ornamental design for a window scoop, as shown and described.

DESCRIPTION

FIG. 1 is a perspective view of the window scoop of the present invention, the opposite side window scoop being a mirror image thereof;
FIG. 2 is a front elevation view thereof;
FIG. 3 is a rear elevation view thereof;
FIG. 4 is a left, front perspective side view thereof shown for enlarged and easier visibility;
FIG. 5 is a right, front perspective side view thereof shown for enlarged and easier visibility;
FIG. 6 is a top view thereof; and,
FIG. 7 is a bottom view thereof.

1 Claim, 5 Drawing Sheets



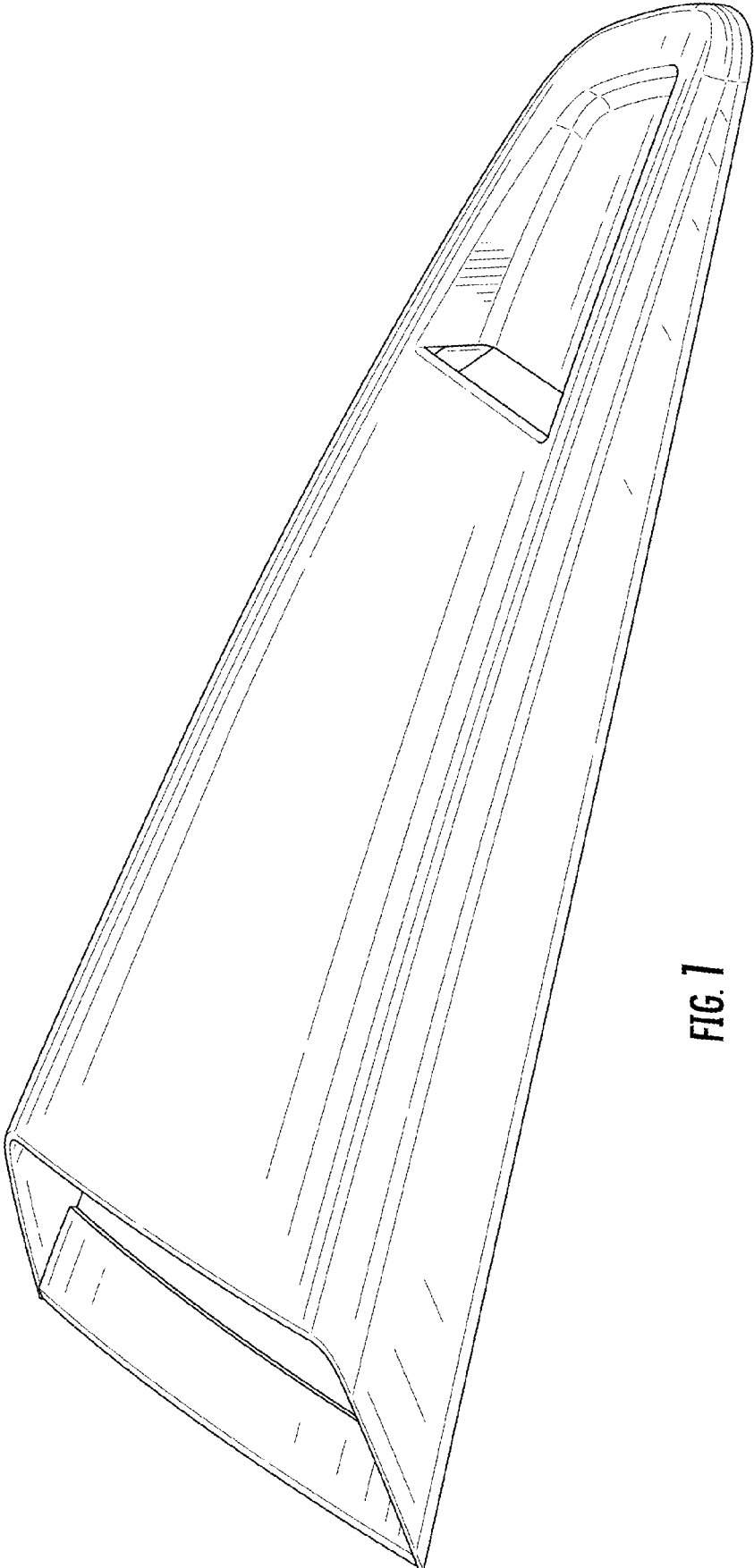


FIG. 1

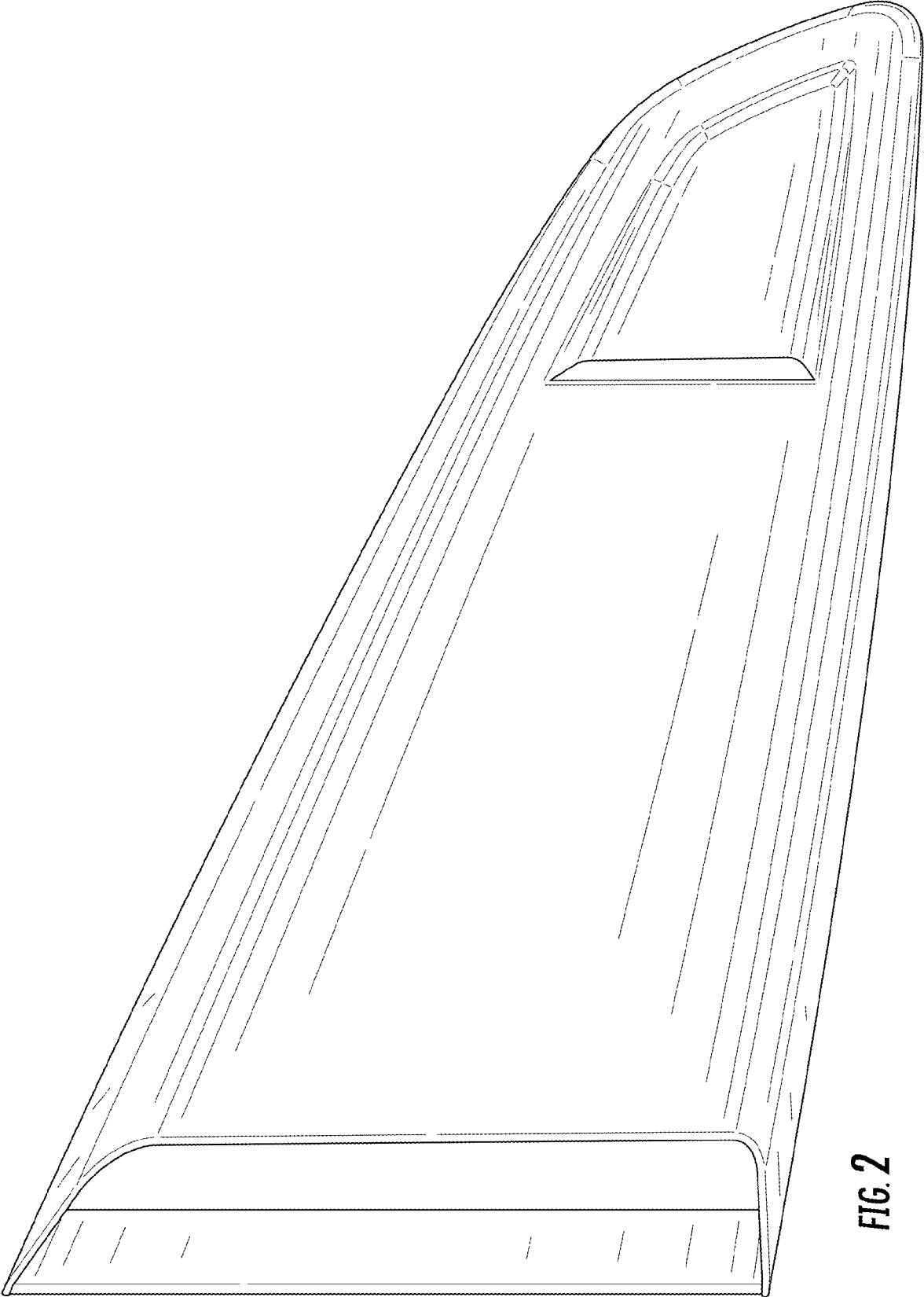


FIG. 2

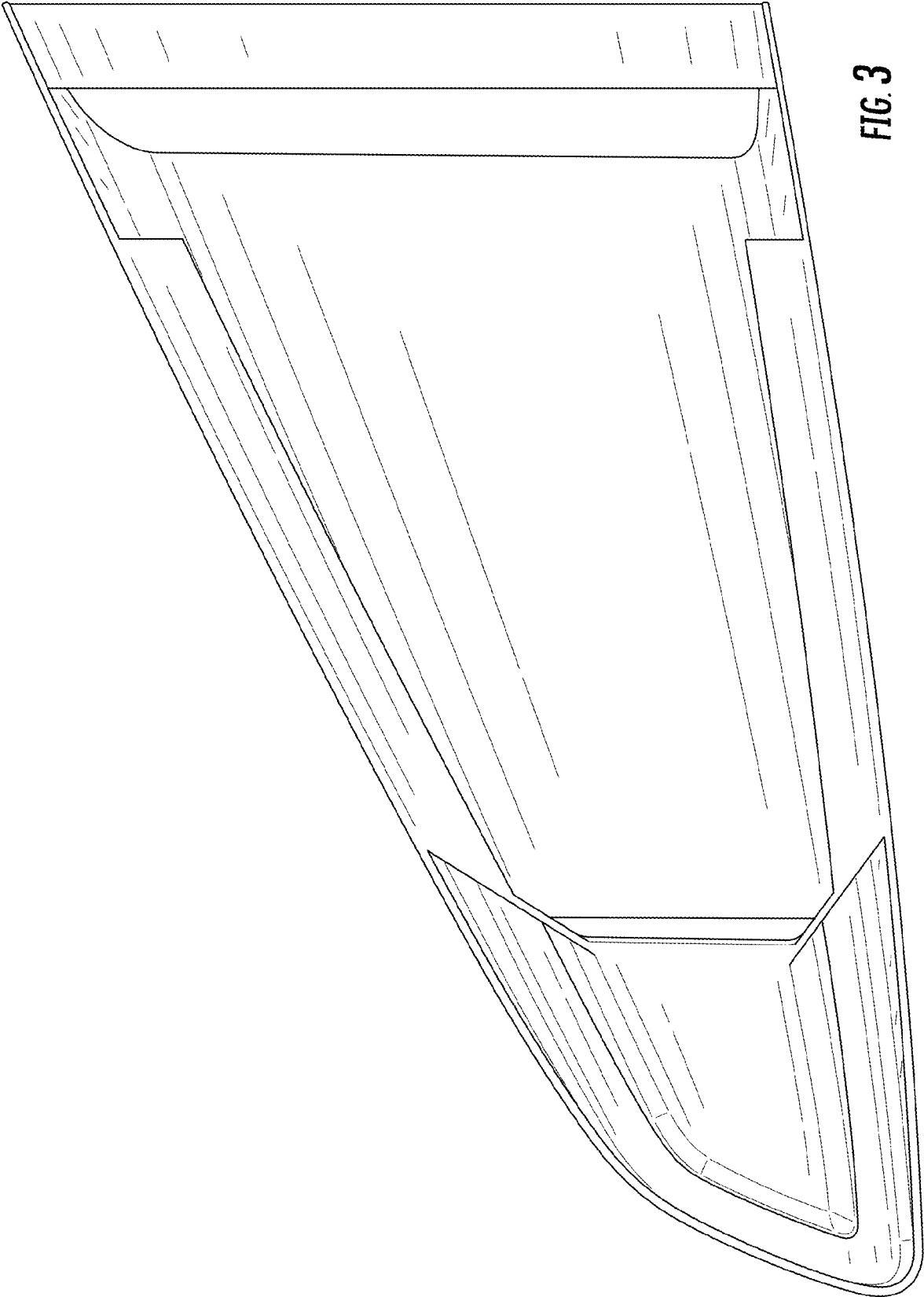


FIG. 3

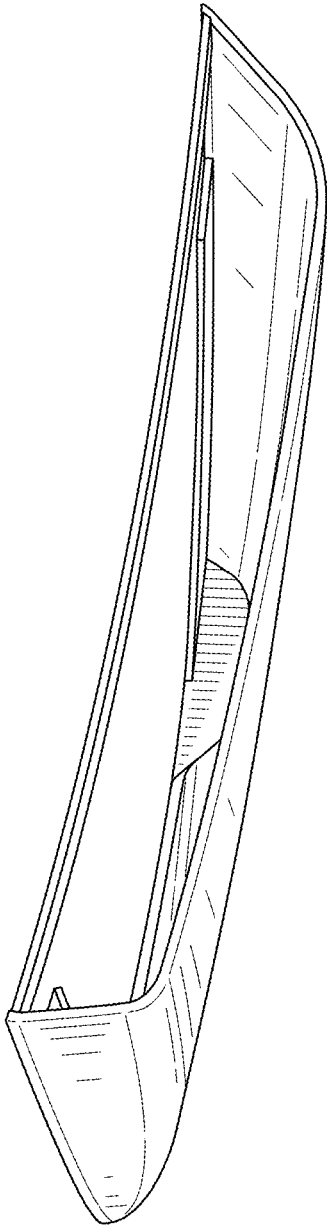


FIG. 4

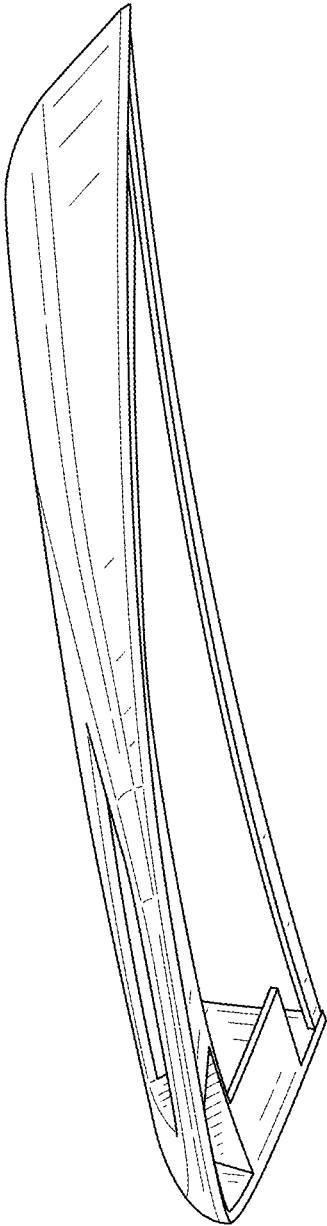


FIG. 5

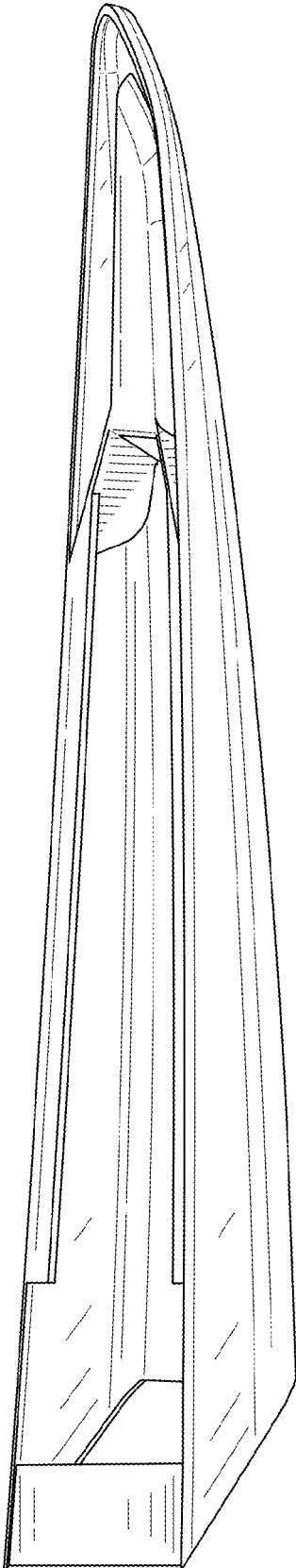


FIG. 6

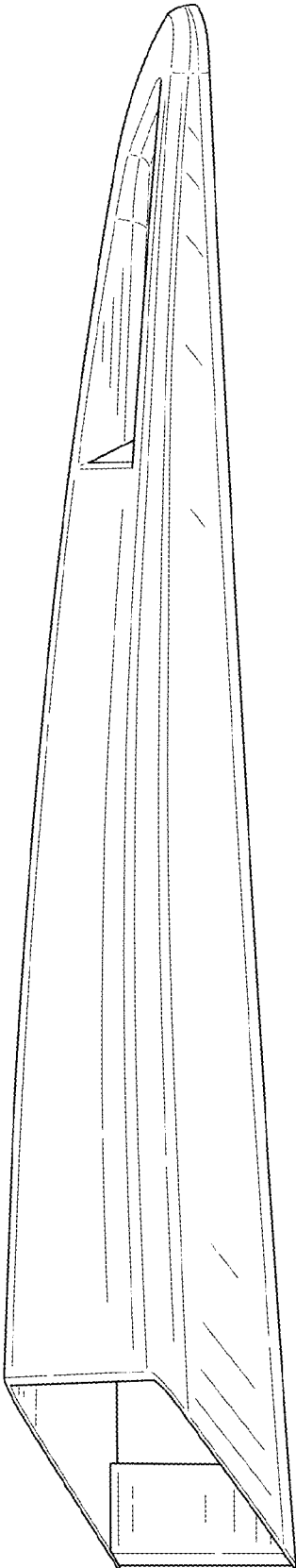


FIG. 7