



US00D579260S

(12) **United States Design Patent**
Zischke

(10) **Patent No.:** **US D579,260 S**

(45) **Date of Patent:** **** Oct. 28, 2008**

(54) **KEBAB GRILL**

(75) Inventor: **Jeff Zischke**, 6400 E. Cholla, Scottsdale, AZ (US) 85254

(73) Assignee: **Jeff Zischke**, Scottsdale, AZ (US)

(**) Term: **14 Years**

(21) Appl. No.: **29/282,982**

(22) Filed: **Aug. 3, 2007**

(51) **LOC (8) Cl.** **07-02**

(52) **U.S. Cl.** **D7/332**

(58) **Field of Classification Search** D7/332-338,
D7/402-405; 126/25 R, 29-30, 25 A, 25 AA,
126/9 R, 9 B, 8, 38, 41 R, 40, 50, 304 R,
126/305; 99/450, 419, 444, 445

See application file for complete search history.

(56) **References Cited**

U.S. PATENT DOCUMENTS

- 2,541,528 A * 2/1951 McAvoy 126/25 A
- D295,818 S * 5/1988 Chan D7/332
- D417,120 S * 11/1999 Dutro et al. D7/332
- D417,359 S * 12/1999 Dutro et al. D7/332
- D450,524 S * 11/2001 Measom D7/332

- D462,562 S * 9/2002 Wood D7/332
- D465,383 S * 11/2002 Mosher et al. D7/402
- D520,803 S * 5/2006 Lu D7/335
- 2005/0155496 A1 * 7/2005 Lu 99/419

* cited by examiner

Primary Examiner—Ruth McInroy

(57) **CLAIM**

I claim the ornamental design for a kebab grill, as shown and described.

DESCRIPTION

FIG. 1 is a front perspective view of the kebab grill;

FIG. 2 is a rear perspective view of the kebab grill;

FIG. 3 is a top plan view of the kebab grill;

FIG. 4 is a rear elevation view of the kebab grill;

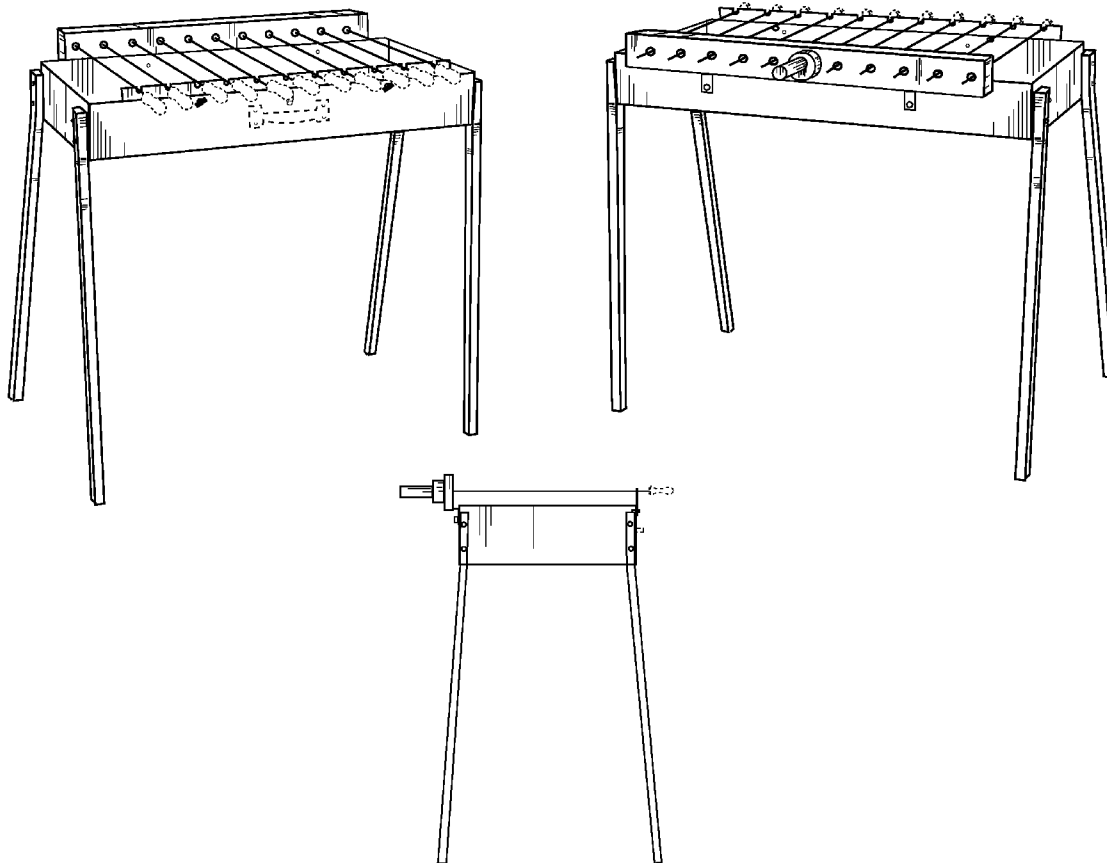
FIG. 5 is a left side elevation view of the kebab grill;

FIG. 6 is a front elevation view of the kebab grill; and,

FIG. 7 is a right side elevation view of the kebab grill.

The details shown in broken lines form no part of the claimed design.

1 Claim, 4 Drawing Sheets



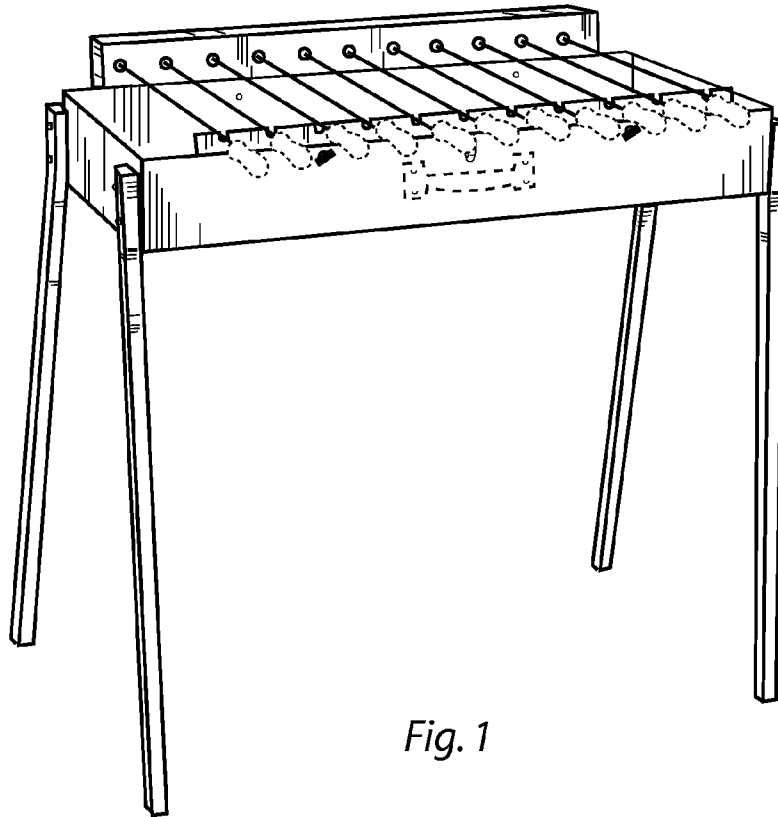


Fig. 1

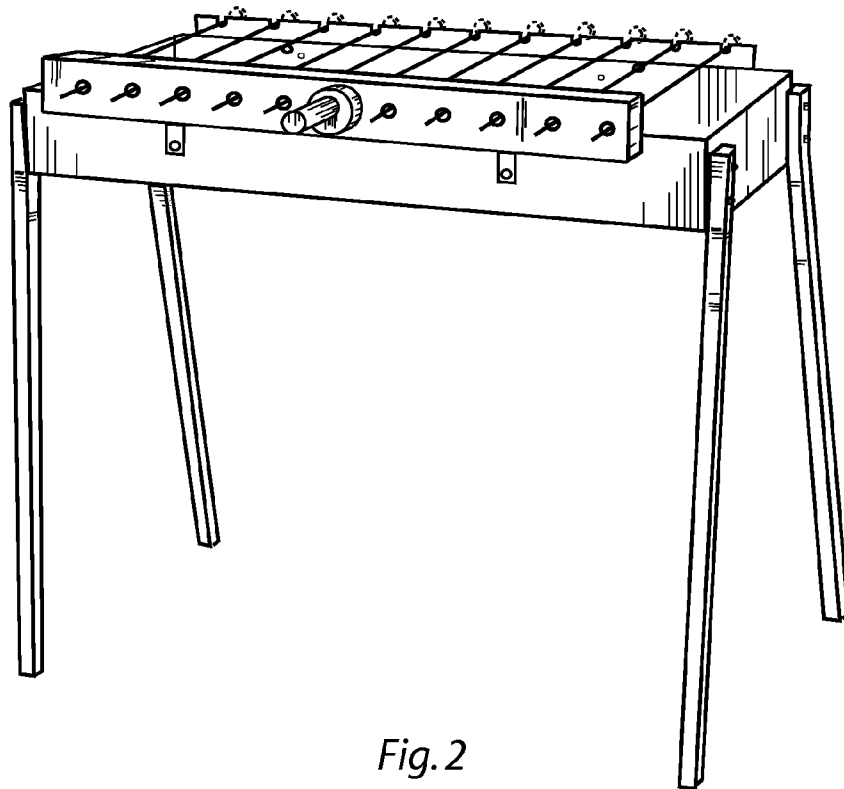


Fig. 2

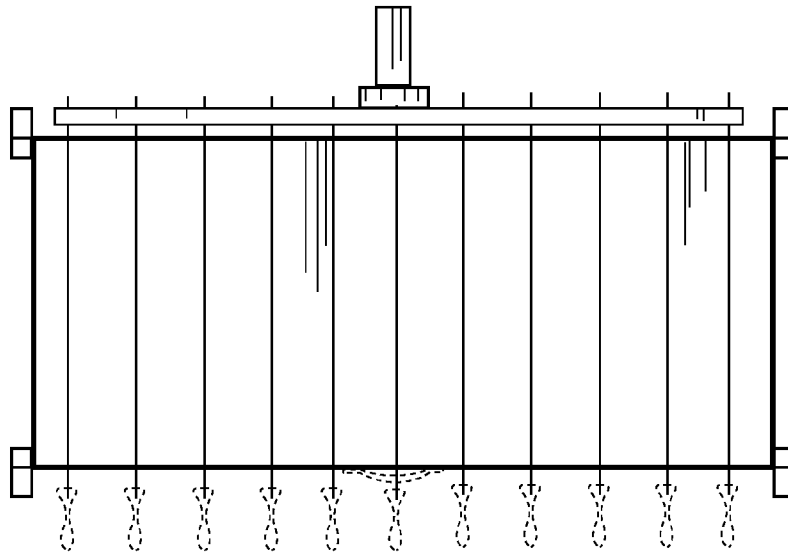


Fig.3

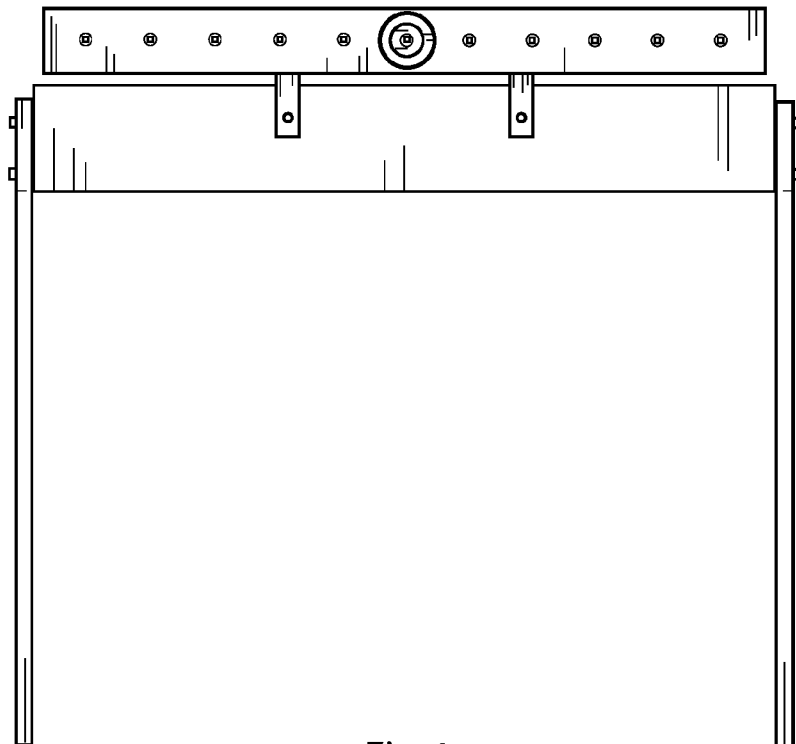


Fig.4

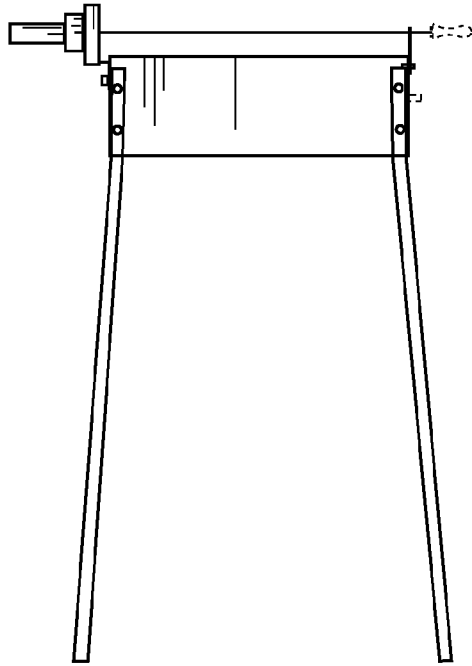


Fig.5

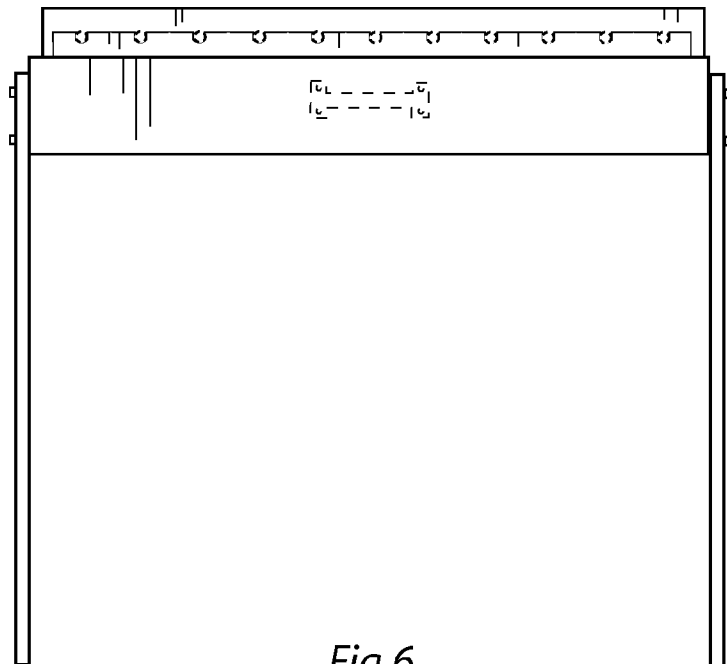


Fig.6

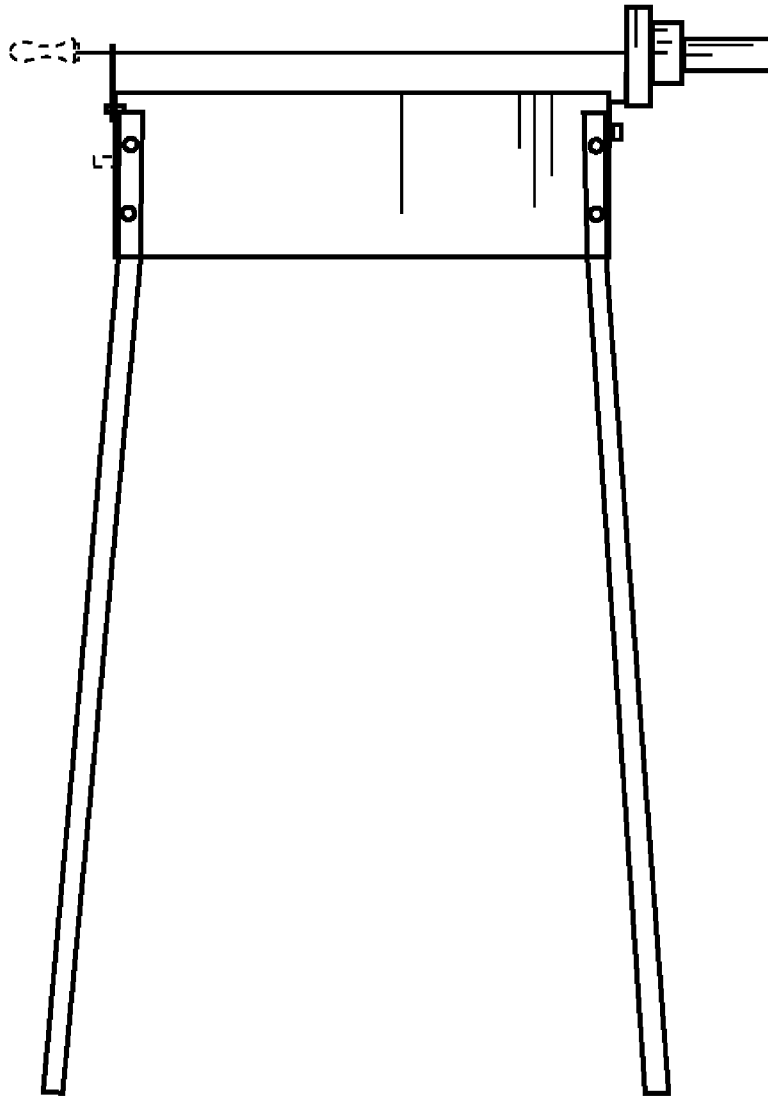


Fig.7