



US00D870336S

(12) **United States Design Patent** (10) **Patent No.:** **US D870,336 S**
Shim et al. (45) **Date of Patent:** **** Dec. 17, 2019**

(54) **HEADLIGHT FOR CARS**
(71) Applicants: **HYUNDAI MOTOR COMPANY,**
Seoul (KR); **KIA MOTORS**
CORPORATION, Seoul (KR)
(72) Inventors: **Joon-Bo Shim,** Anyang-si (KR);
Seung-Yeon Lee, Gwacheon-si (KR)

D819,848 S * 6/2018 Lin D26/28
D819,849 S * 6/2018 Lin D26/28
D819,854 S * 6/2018 Lai D26/28
D827,884 S * 9/2018 Hannemann D26/28
D843,034 S * 3/2019 Kim D26/28
D846,777 S * 4/2019 Hwang D26/28
D851,299 S * 6/2019 Woodhouse D26/28
D851,300 S * 6/2019 Lin D26/28
D852,995 S * 7/2019 Suzuki D26/28
D853,607 S * 7/2019 Allmendinger D26/28

(**) Term: **15 Years**

(21) Appl. No.: **35/506,017**

(22) Filed: **Sep. 14, 2018**

(80) **Hague Agreement Data**

Int. Filing Date: **Sep. 14, 2018**
Int. Reg. No.: **DM/103443**
Int. Reg. Date: **Sep. 14, 2018**
Int. Reg. Pub. Date: **Nov. 9, 2018**

(30) **Foreign Application Priority Data**

Apr. 16, 2018 (KR) 3020180017656

(51) **LOC (12) Cl.** **26-06**

(52) **U.S. Cl.**
USPC **D26/36**

(58) **Field of Classification Search**
USPC D12/196; D26/28, 35, 36; D21/433
CPC .. F21S 41/00; F21S 41/20; F21S 41/30; F21S
43/14; F21S 43/15; F21S 43/20
See application file for complete search history.

(56) **References Cited**

U.S. PATENT DOCUMENTS

D758,626 S * 6/2016 Sperling D26/28
D774,222 S * 12/2016 Lim D26/28
D783,189 S * 4/2017 Nishii D26/28
D818,164 S * 5/2018 Ha D26/28

OTHER PUBLICATIONS

Screenshot excerpt dated Jan. 4, 2018 from newcartestdrive.com.
Found online Aug. 2, 2019 at <https://www.newcartestdrive.com/reviews/2018-hyundai-tucson/>. (Year: 2018).*

* cited by examiner

Primary Examiner — Robert M. Spear

(57) **CLAIM**

The ornamental design for headlight for cars, as shown and described.

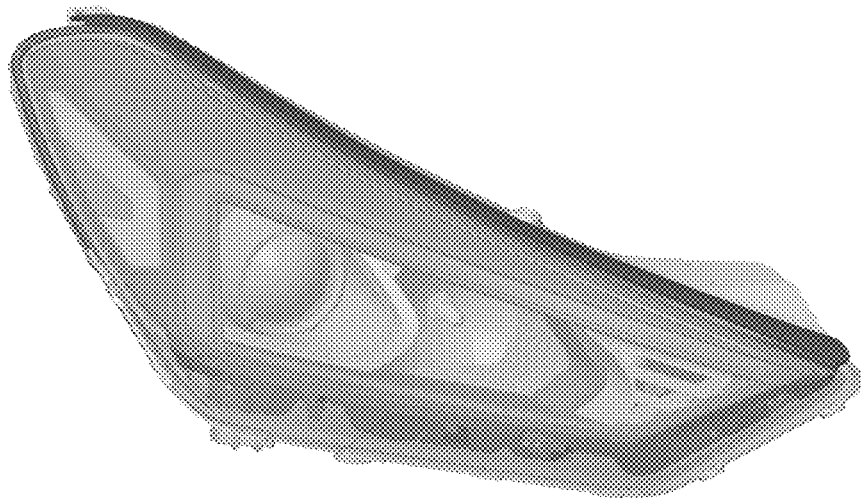
DESCRIPTION

1. Headlight for cars

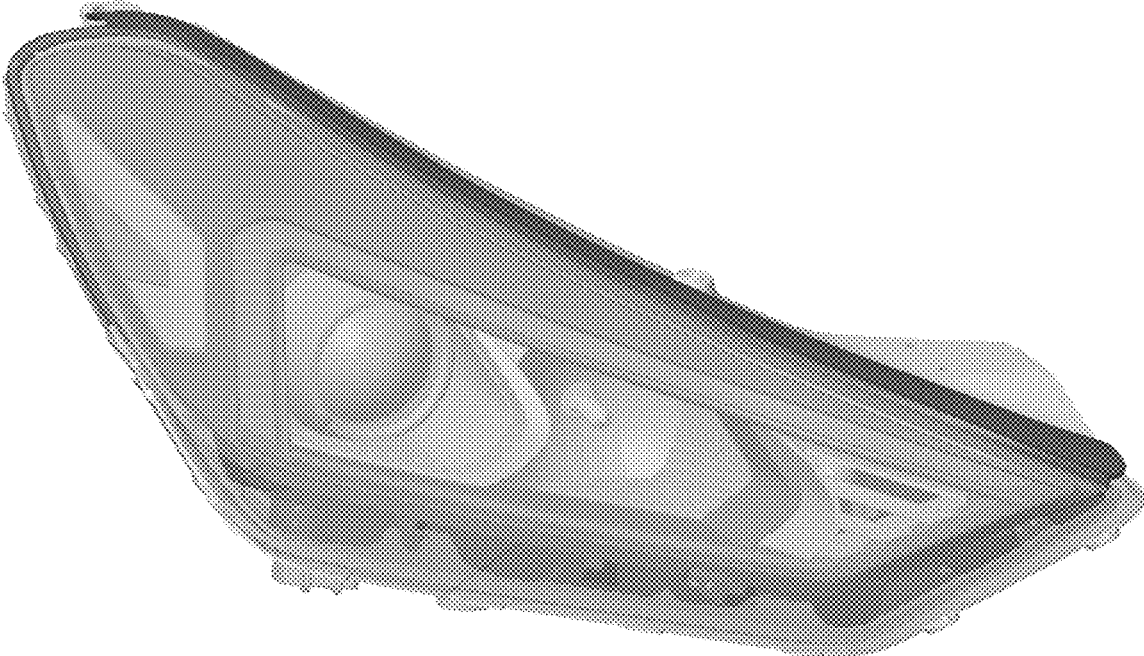
- 1.1 : Perspective
- 1.2 : Front
- 1.3 : Back
- 1.4 : Left
- 1.5 : Right
- 1.6 : Top
- 1.7 : Bottom

1.1 is a perspective view of a headlight for cars showing our new design; 1.2 is a front elevation view thereof; 1.3 is a rear elevation view thereof; 1.4 is a left side elevation view thereof; 1.5 is a right side elevation view thereof; 1.6 is a top plan view thereof; and 1.7 is a bottom plan view thereof.

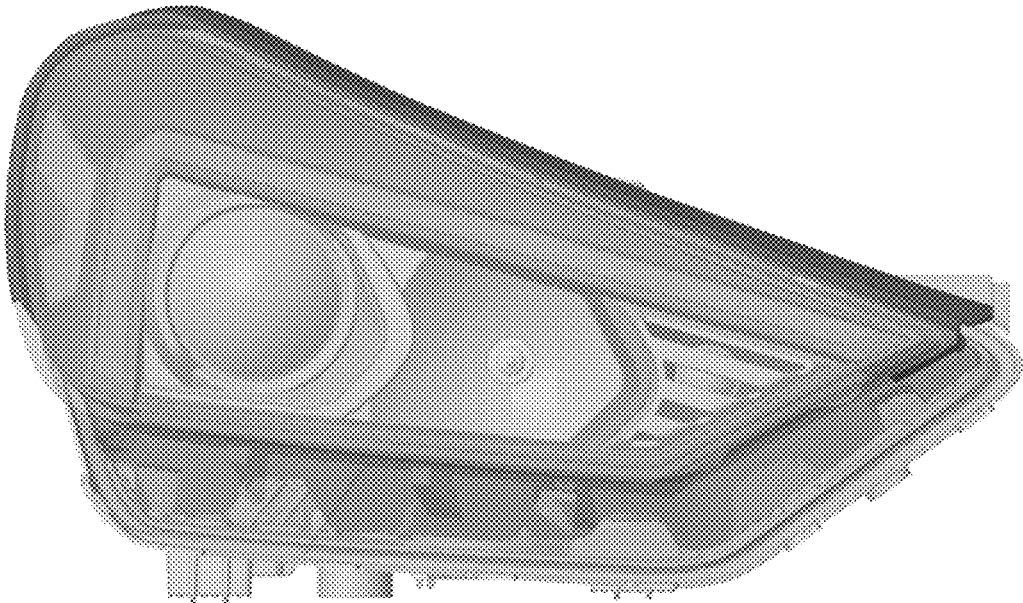
1 Claim, 7 Drawing Sheets



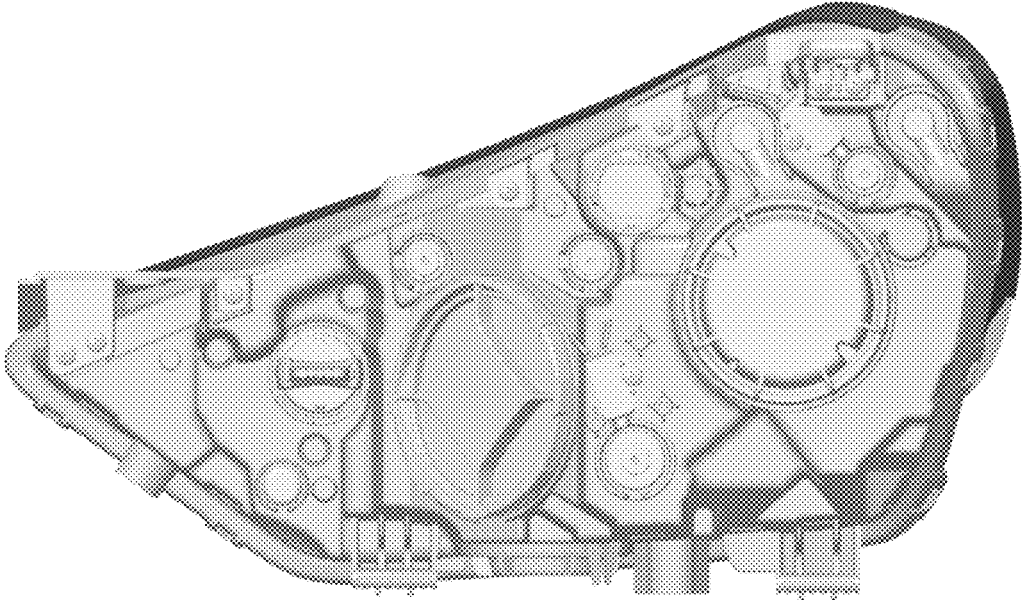
1.1



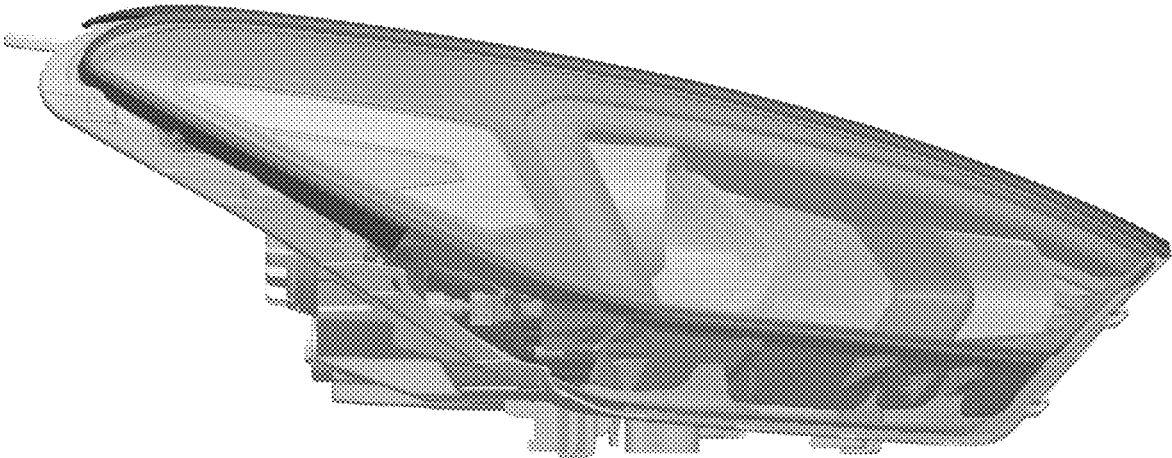
1.2



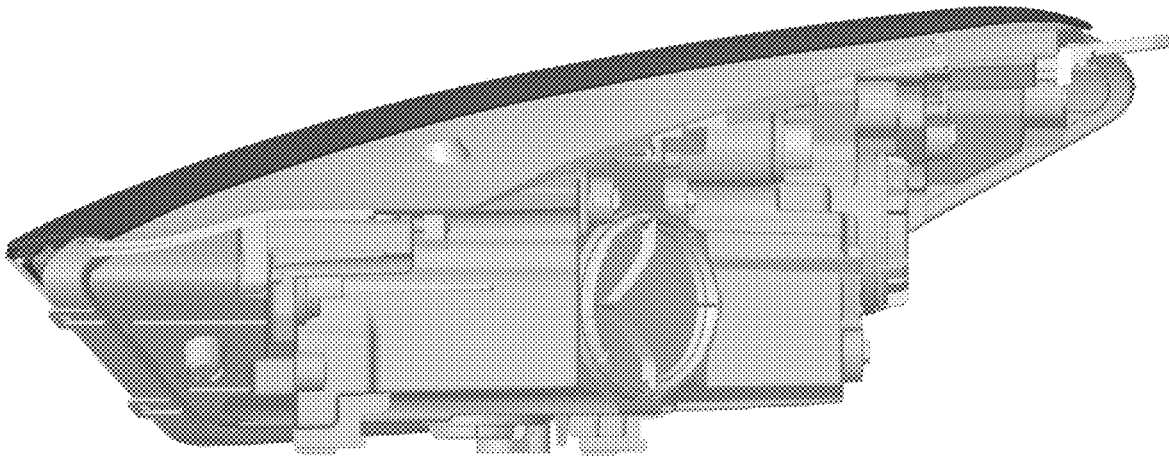
1.3



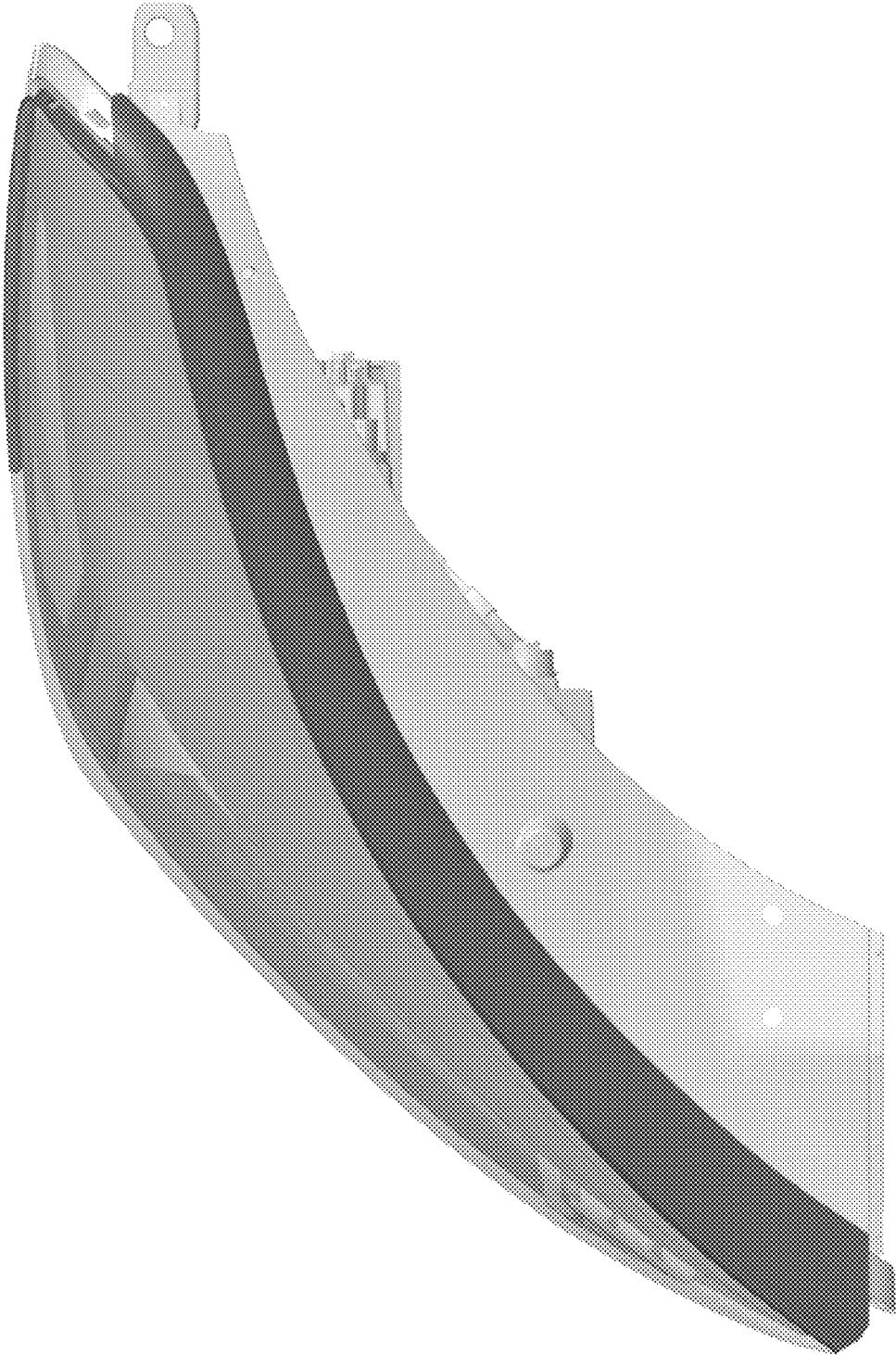
1.4



1.5



1.6



1.7

