



US00D616657S

(12) **United States Design Patent**  
**Denton**

(10) **Patent No.:** **US D616,657 S**

(45) **Date of Patent:** **\*\* Jun. 1, 2010**

(54) **RECLINER**

(75) Inventor: **Robert Boyce Denton**, Asheville, NC  
(US)

(73) Assignee: **Lane Furniture Industries, Inc.**,  
Tupelo, MS (US)

(\*\*) Term: **14 Years**

(21) Appl. No.: **29/348,049**

(22) Filed: **Nov. 20, 2009**

(51) **LOC (9) Cl.** ..... **06-01**

(52) **U.S. Cl.** ..... **D6/367**

(58) **Field of Classification Search** ..... D6/334-336,  
D6/360, 361, 367, 368, 371, 373, 381, 492,  
D6/500-502; 297/68, 85 R, 88, 89, 232,  
297/354.1, 423.1, DIG. 7

See application file for complete search history.

(56) **References Cited**

**U.S. PATENT DOCUMENTS**

D173,625 S *	12/1954	Maurer .....	D6/360
D173,706 S *	12/1954	Maurer .....	D6/360
4,570,996 A *	2/1986	Rogers, Jr. ....	297/85 R
D423,236 S *	4/2000	Palumbo .....	D6/334
D440,056 S *	4/2001	Natuzzi et al. ....	D6/334
D440,414 S *	4/2001	Natuzzi et al. ....	D6/334
D441,979 S *	5/2001	Watson .....	D6/381
D456,621 S *	5/2002	Antunes et al. ....	D6/367
D480,882 S *	10/2003	Ricci .....	D6/334
D489,187 S *	5/2004	Natuzzi .....	D6/334

D534,734 S *	1/2007	Bernett .....	D6/367
D541,064 S *	4/2007	Miller et al. ....	D6/367

**OTHER PUBLICATIONS**

U.S. Appl. No. 29/348,045, filed Nov. 20, 2009, Denton, Robert Boyce.

\* cited by examiner

*Primary Examiner*—Mimosa De

(74) *Attorney, Agent, or Firm*—Kilpatrick Stockton, LLP

(57) **CLAIM**

The ornamental design for a recliner, as shown and described.

**DESCRIPTION**

FIG. 1 is a perspective view of a recliner, showing my new design.

FIG. 2 is a front elevation view of the recliner of FIG. 1.

FIG. 3 is a right side elevation view of the recliner of FIG. 1, the left side elevation view being a mirror image of the right side elevation view.

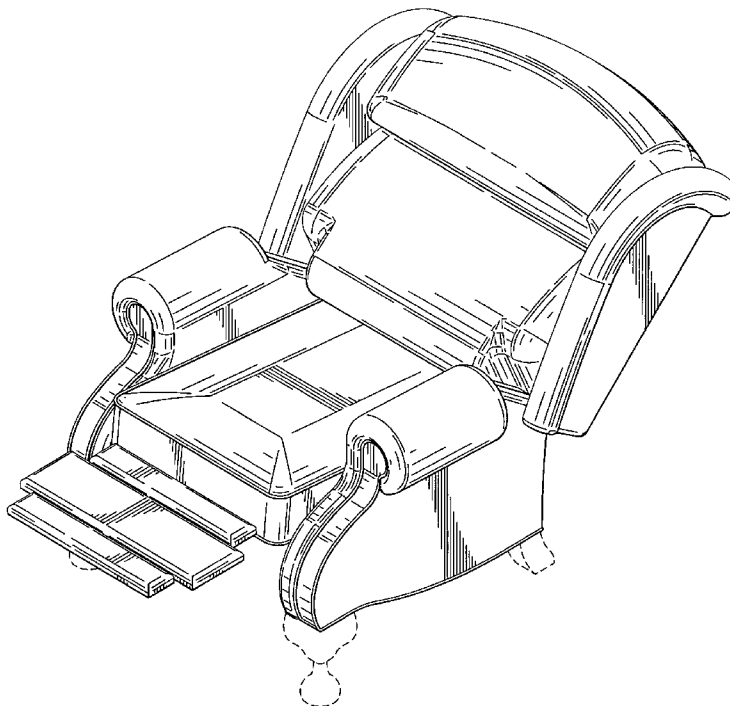
FIG. 4 is a top view of the recliner of FIG. 1.

FIG. 5 is another perspective view of the recliner of FIG. 1, shown in a reclined position; and,

FIG. 6 is another front view of the recliner of FIG. 1, showing in broken lines two persons sitting in the recliner, generally indicating the size and proportions of the recliner.

In the drawings, the broken lines form no part of the claimed design.

**1 Claim, 5 Drawing Sheets**



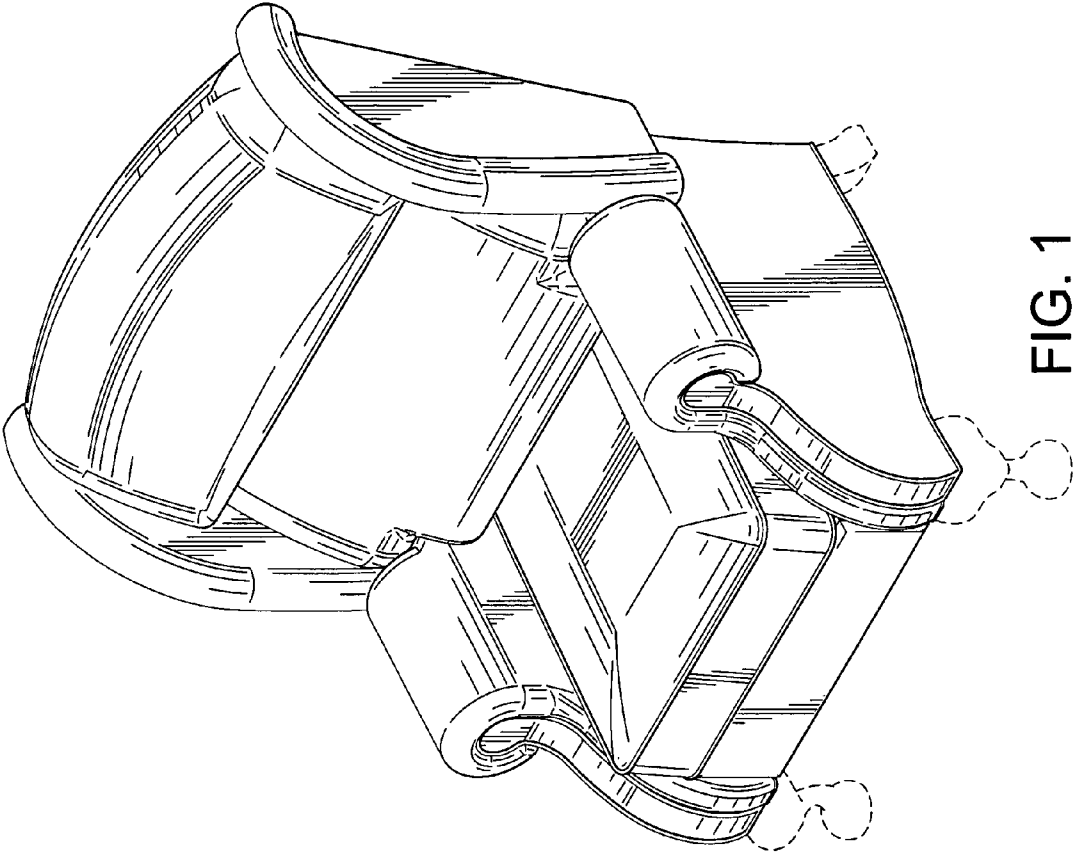


FIG. 1

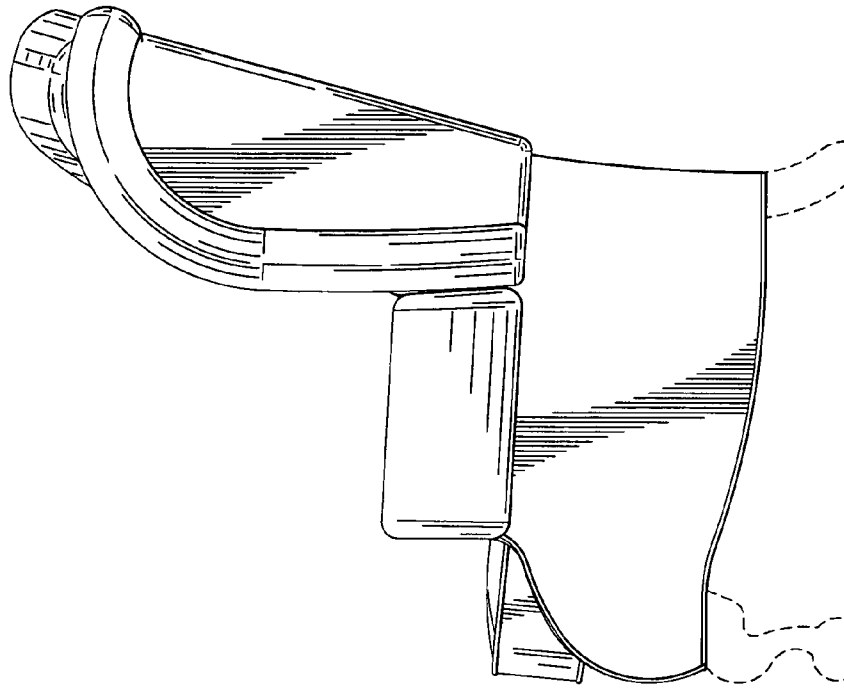


FIG. 3

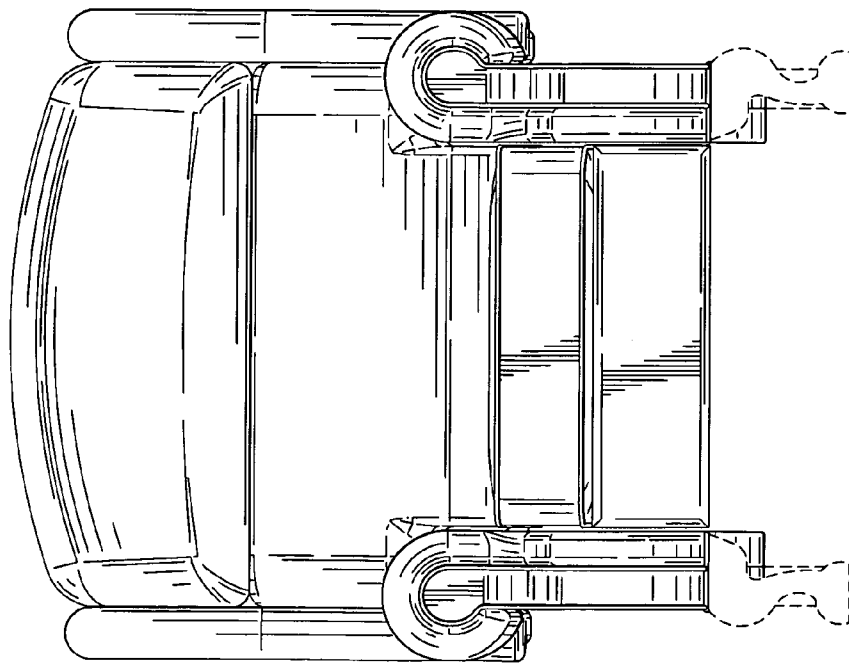


FIG. 2

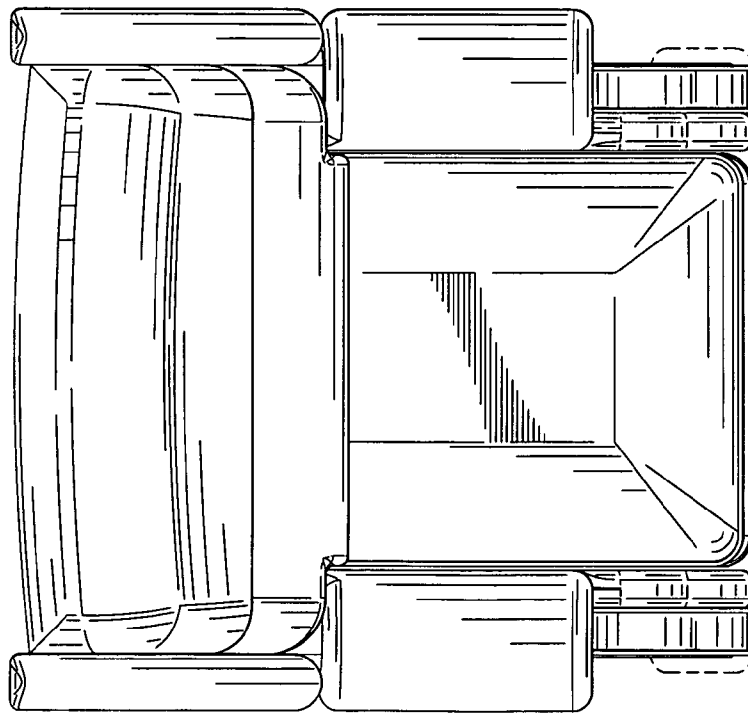


FIG. 4

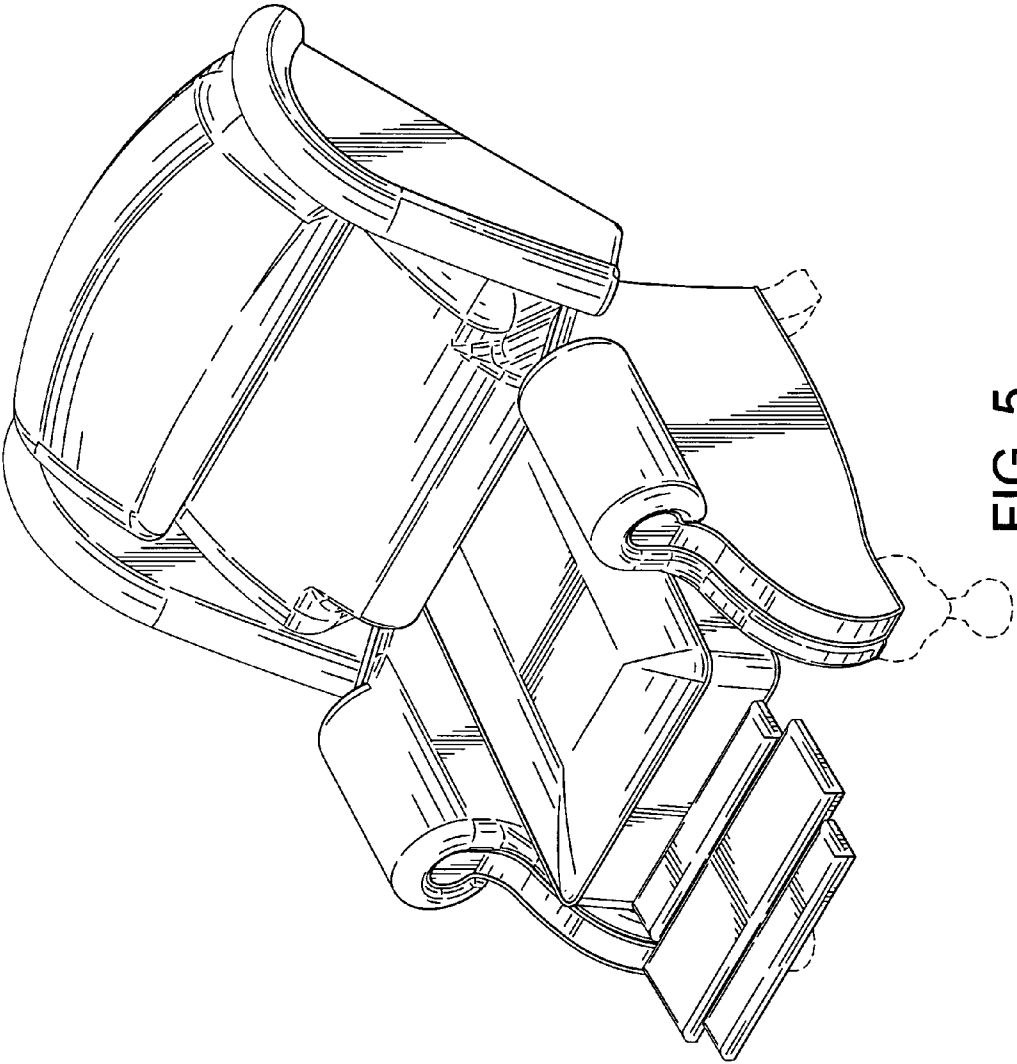


FIG. 5

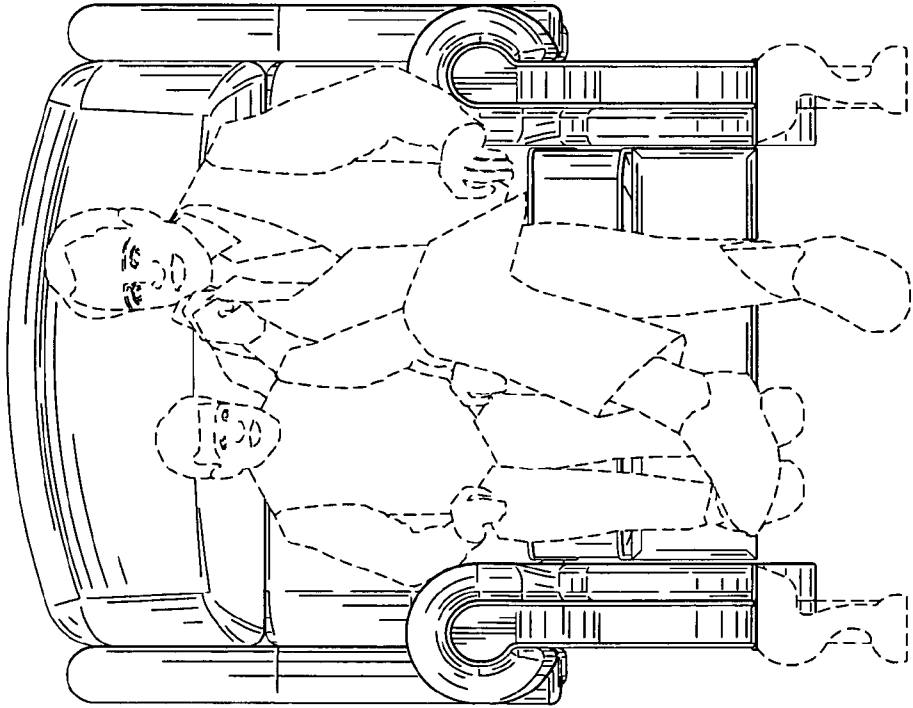


FIG. 6