



US00D996537S

(12) **United States Design Patent**
Chuang

(10) **Patent No.:** **US D996,537 S**

(45) **Date of Patent:** **** Aug. 22, 2023**

- (54) **WRIST BALL**
- (71) Applicant: **NANO-SECOND TECHNOLOGY CO., LTD.,** New Taipei (TW)
- (72) Inventor: **Pei-Sung Chuang,** New Taipei (TW)
- (73) Assignee: **NANO-SECOND TECHNOLOGY CO., LTD.,** New Taipei (TW)

2016/0367852 A1* 12/2016 Chuang A63B 21/222
 2019/0269981 A1* 9/2019 Jordan A63B 39/00
 2022/0387859 A1* 12/2022 Chavez A63B 43/02
 2023/0146190 A1* 5/2023 Koh A63B 21/00076

FOREIGN PATENT DOCUMENTS

CN 304722766 * 7/2018

OTHER PUBLICATIONS

“ACELETE Auto-Start 2.0 Power Ball” Aug. 8, 2020, Amazon, site visited May 17, 2023: <https://www.amazon.com/ACELETE-Auto-Start-Digital-Exerciser-Strengthener/dp/B08DKJ97PP> (Year: 2020).
 “Fugest Wrist Power Force Ball Arm Exercise” May 1, 2017, Amazon, site visited May 17, 2023: <https://www.amazon.com/dp/B01H4P2BD2> (Year: 2017).*

(Continued)

Primary Examiner — Jack Reickel
Assistant Examiner — Salamah Jordan
 (74) *Attorney, Agent, or Firm* — Maschoff Brennan

(57) **CLAIM**

The ornamental design for a wrist ball, as shown and described.

DESCRIPTION

FIG. 1 is a top, front and right side perspective view of a wrist ball showing my new design;
 FIG. 2 is a top, rear and left side perspective view thereof;
 FIG. 3 is a bottom, rear and right side perspective view thereof;
 FIG. 4 is a front view thereof;
 FIG. 5 is a rear view thereof;
 FIG. 6 is a left side view thereof;
 FIG. 7 is a right side view thereof;
 FIG. 8 is a top view thereof; and,
 FIG. 9 is a bottom view thereof.

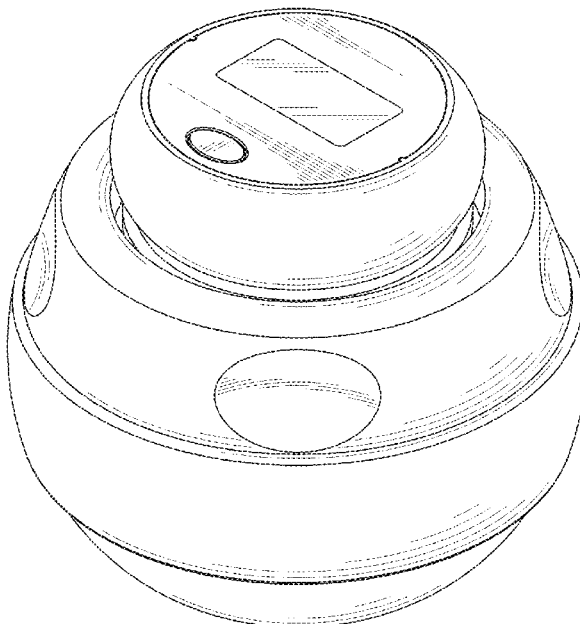
1 Claim, 9 Drawing Sheets

- (**) Term: **15 Years**
- (21) Appl. No.: **29/824,672**
- (22) Filed: **Jan. 26, 2022**
- (51) **LOC (14) Cl.** **21-02**
- (52) **U.S. Cl.**
USPC **D21/684**
- (58) **Field of Classification Search**
USPC D21/692, 681, 684, 694, 662, 675, 677,
D21/679, 680; D24/215, 211; D23/366
CPC A63B 23/02; A63B 21/22; A63B 23/16;
A63B 21/00; A63B 43/00; A63B 23/14
See application file for complete search history.

(56) **References Cited**

U.S. PATENT DOCUMENTS

D286,312	S	*	10/1986	Tsuzuki	D21/684
D365,612	S	*	12/1995	Pravitz	D21/684
D370,704	S	*	6/1996	Oberhoff	D23/366
D381,719	S	*	7/1997	Pravitz	D21/684
D418,562	S	*	1/2000	Pravitz	
7,846,066	B1	*	12/2010	Chuang	H05B 45/20
D636,037	S	*	4/2011	Chuang	D21/684
9,463,354	B2	*	10/2016	Chuang	A63B 21/222
D965,086	S	*	9/2022	Cao	D21/684
D978,367	S	*	2/2023	Haddock DiCarlo	D24/215
2013/0012361	A1	*	1/2013	Smith	A63B 23/14
2014/0378278	A1	*	12/2014	Chuang	A63B 21/22



(56)

References Cited

OTHER PUBLICATIONS

“Powerball Titan Autostart Pro” Mar. 26, 2021, Youtube, site visited May 17, 2023: <https://www.youtube.com/watch?v=BrX6z8gJ3Z4> (Year: 2021).*

“Powerball Gyroscope E-Titan Pro Electric Start” Apr. 3, 2023, Youtube, site visited May 17, 2023: <https://powerballs.rmpower.com/product/powerball-gyroscope-e-titan-pro-electric-start> (Year: 2023).*

* cited by examiner

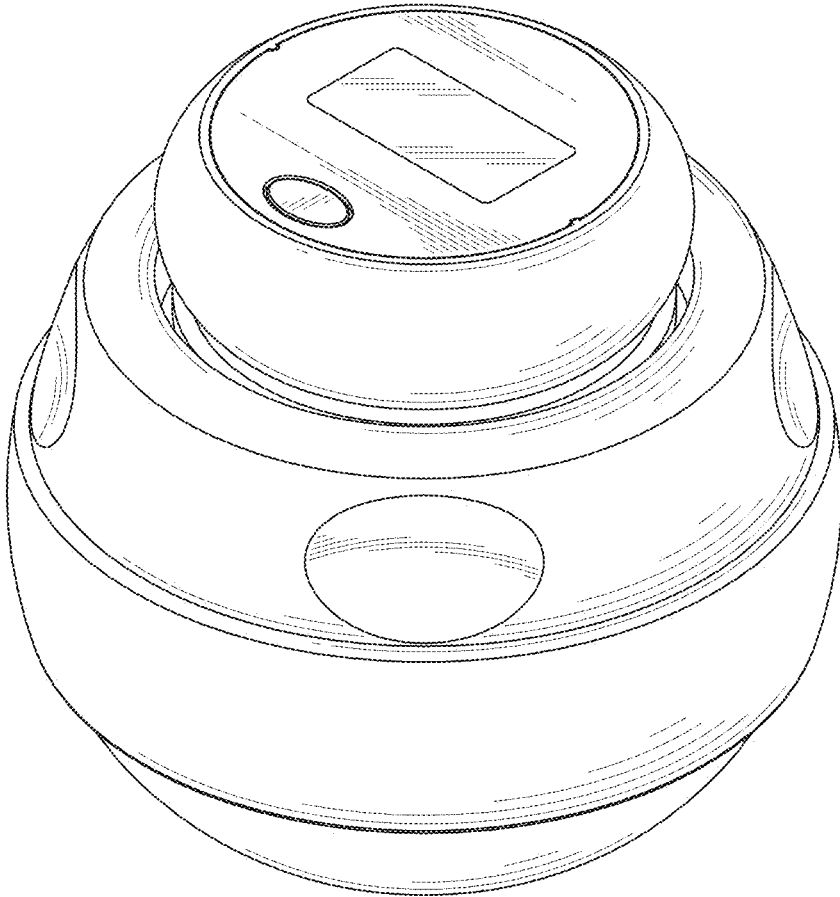


FIG. 1

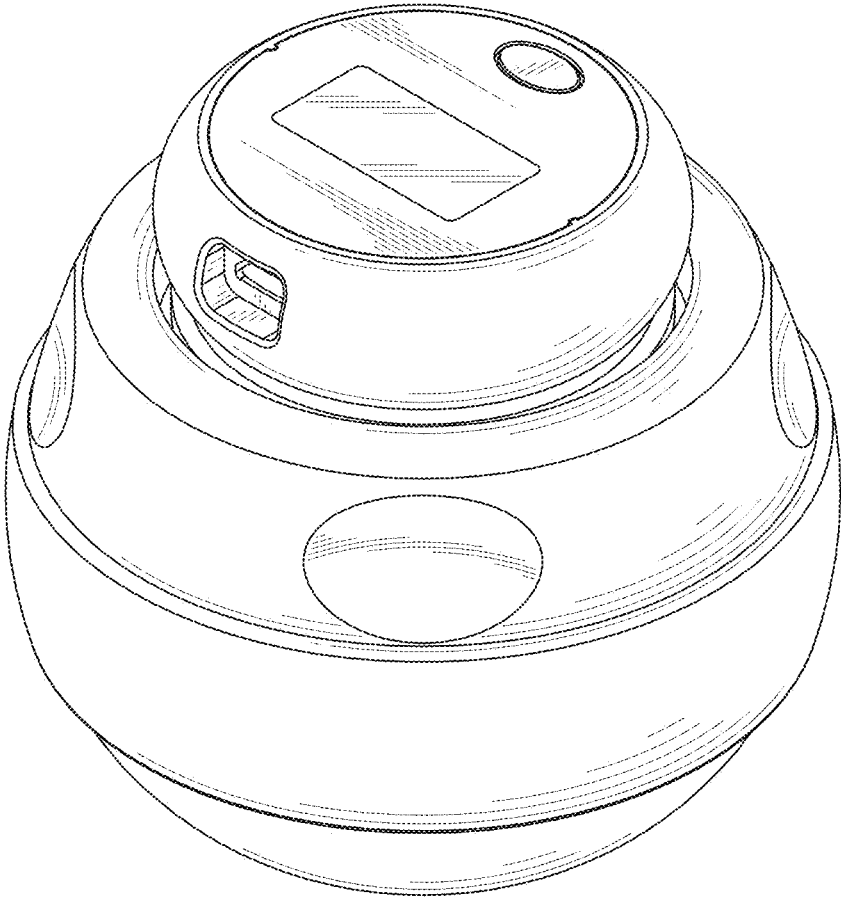


FIG. 2

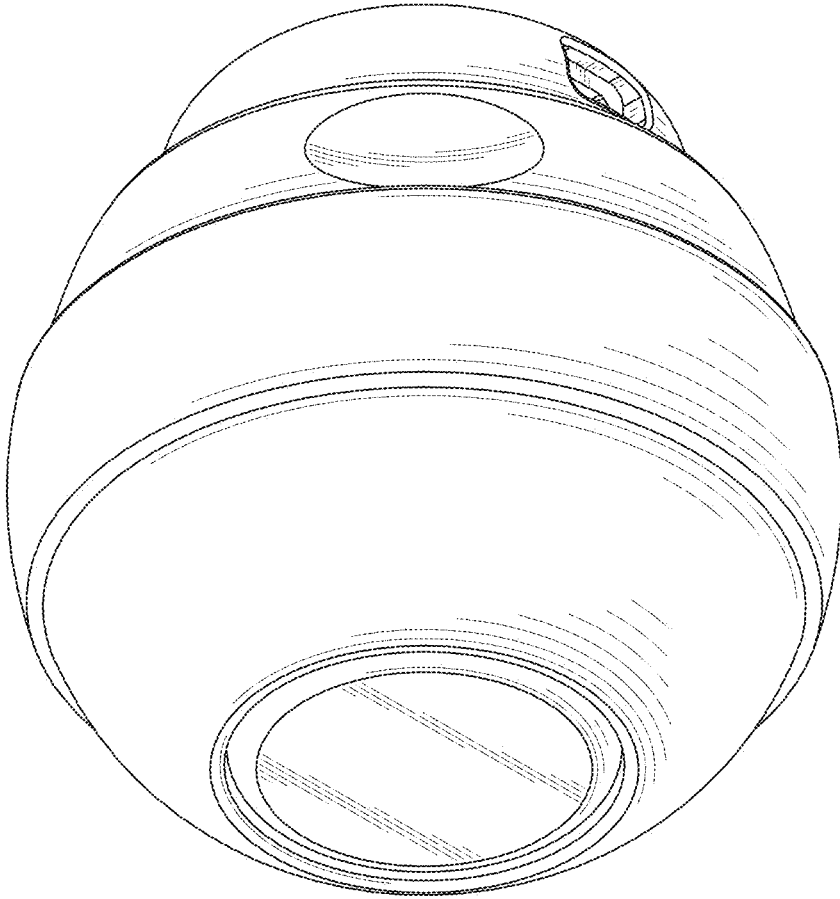


FIG. 3

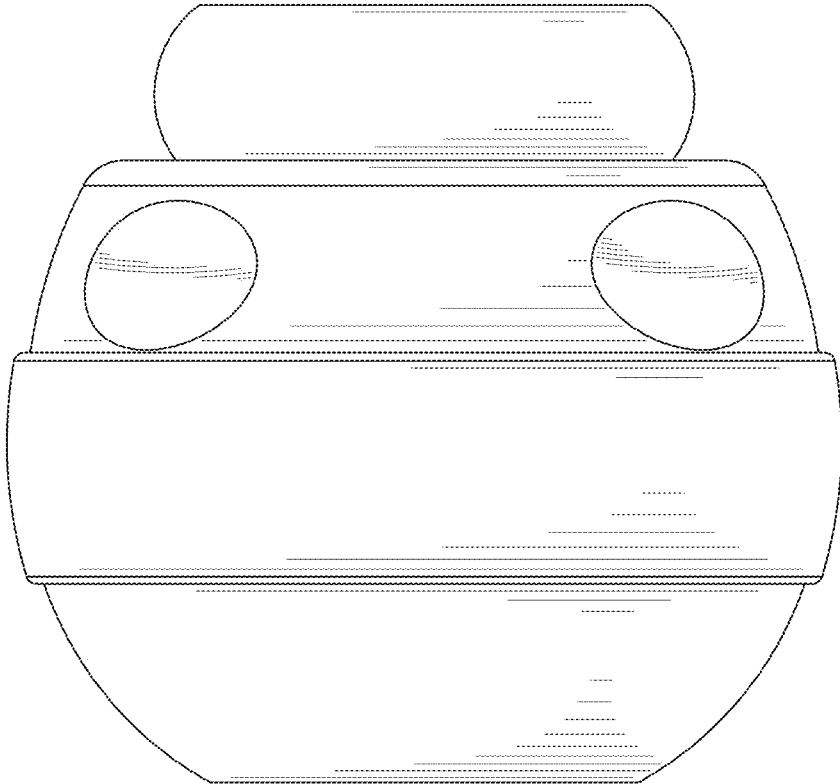


FIG. 4

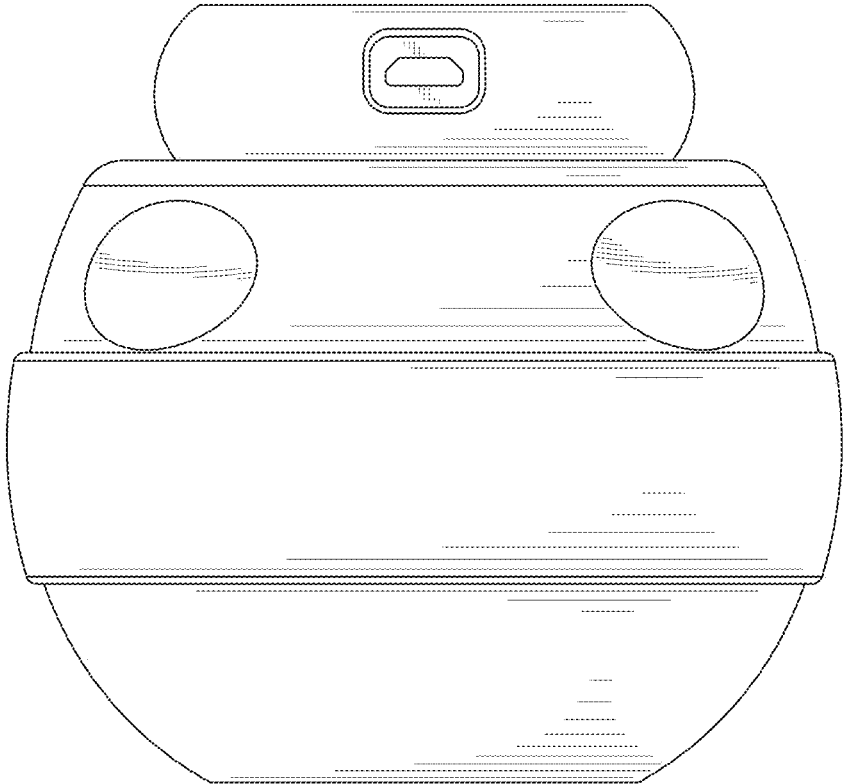


FIG. 5

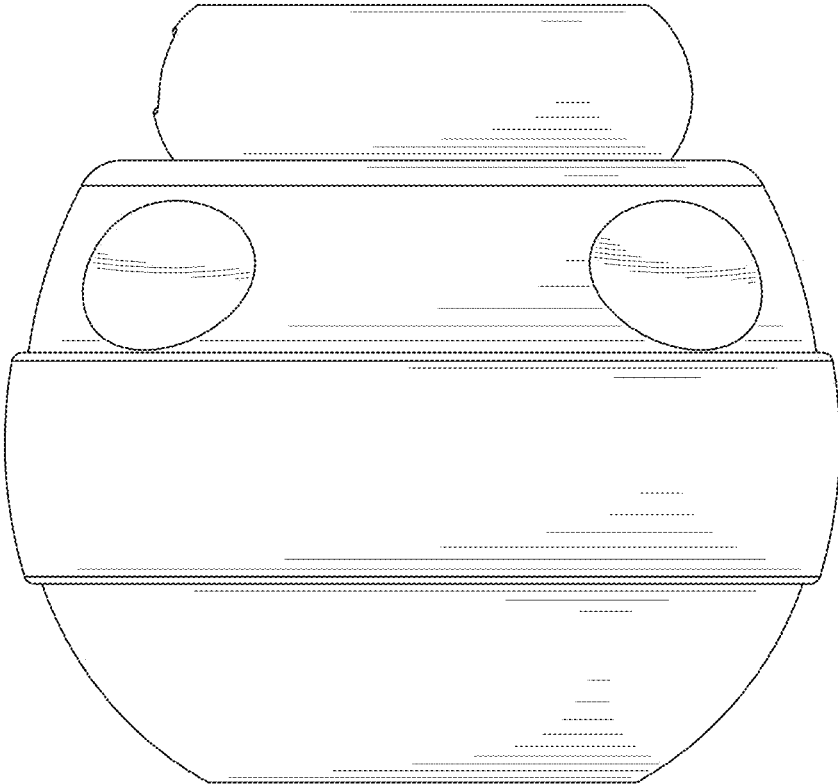


FIG. 6

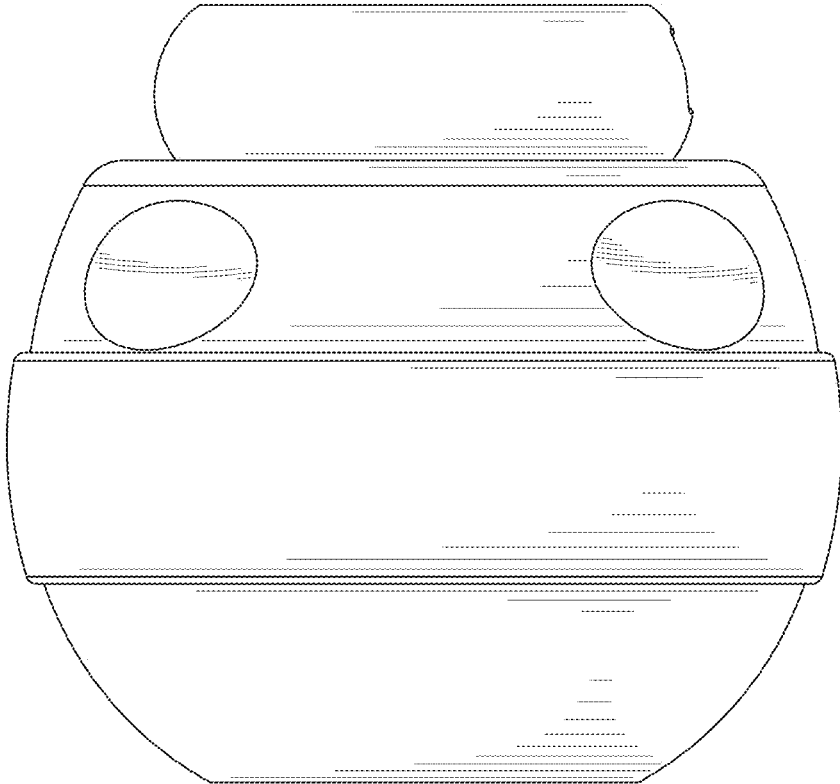


FIG. 7

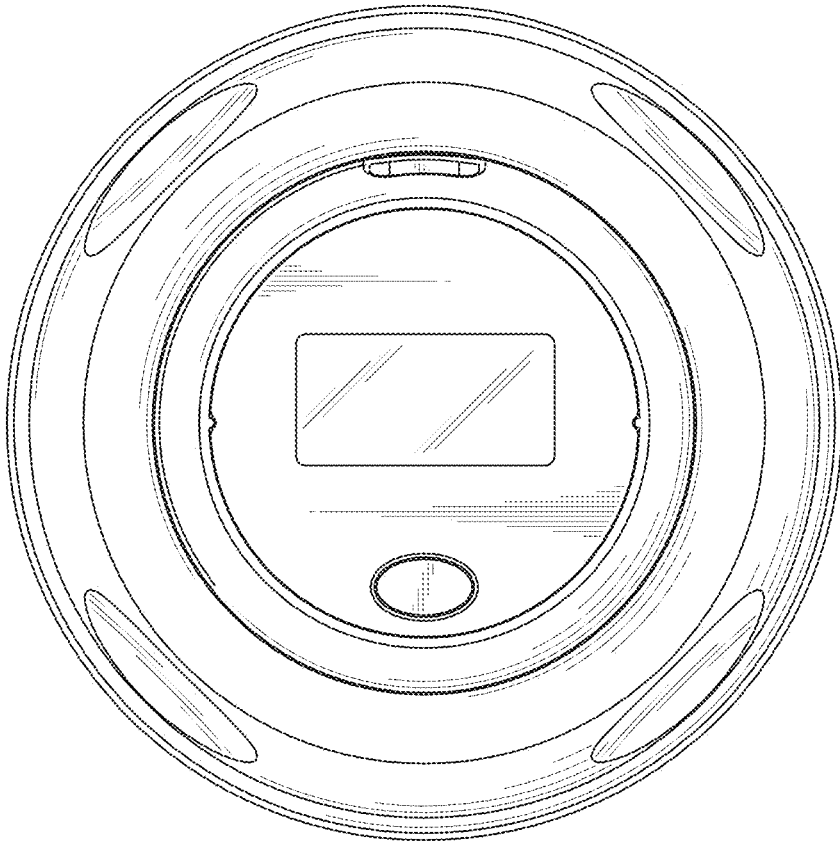


FIG. 8

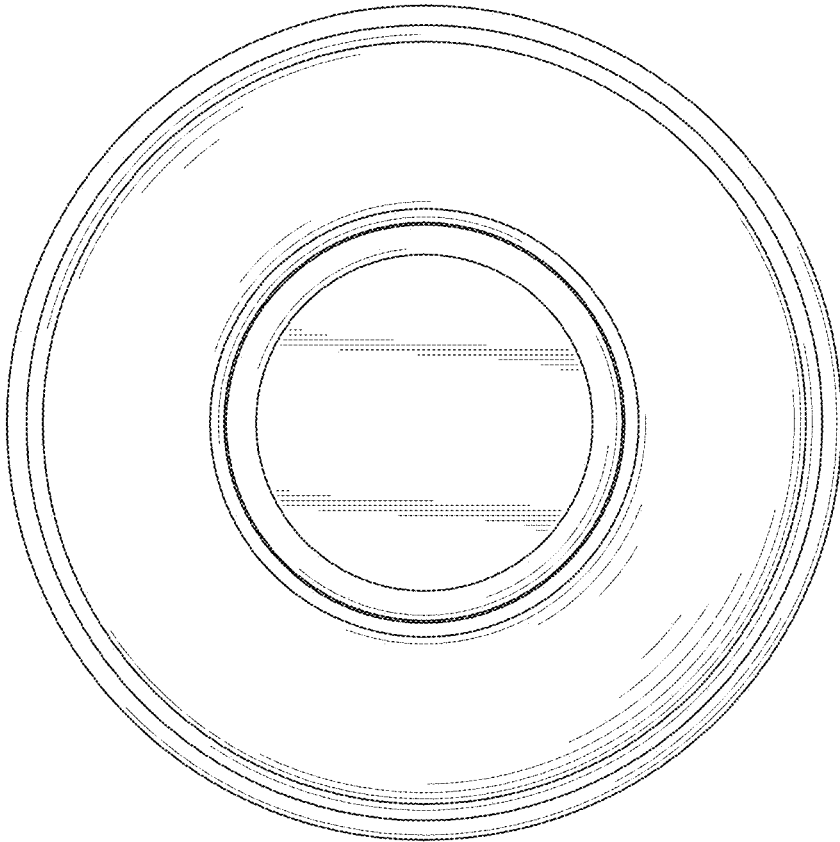


FIG. 9