

(12) **United States Design Patent** (10) **Patent No.:** **US D856,460 S**
Doran (45) **Date of Patent:** **** Aug. 13, 2019**

(54) **LENS WITH RETICLE**
 (71) Applicant: **Trijicon, Inc.**, Wixom, MI (US)
 (72) Inventor: **Ian Doran**, Walled Lake, MI (US)
 (73) Assignee: **Trijicon, Inc.**, Wixom, MI (US)
 (**) Term: **15 Years**
 (21) Appl. No.: **29/639,427**
 (22) Filed: **Mar. 6, 2018**
 (51) **LOC (12) Cl.** **22-01**
 (52) **U.S. Cl.**
 USPC **D22/109**
 (58) **Field of Classification Search**
 USPC D22/108, 109; D16/130-136; D14/404
 CPC F41G 3/08; F41G 1/34
 See application file for complete search history.

(56) **References Cited**
 U.S. PATENT DOCUMENTS
 D679,776 S * 4/2013 Bracken D22/108
 D679,777 S * 4/2013 Bracken D22/108
 D680,187 S * 4/2013 Bracken D22/108
 D783,113 S * 4/2017 Noller D22/109
 D783,114 S * 4/2017 Noller D22/109
 D783,115 S * 4/2017 Noller D22/109
 D796,621 S * 9/2017 Walker D16/136
 D805,156 S * 12/2017 Noller D22/109
 (Continued)

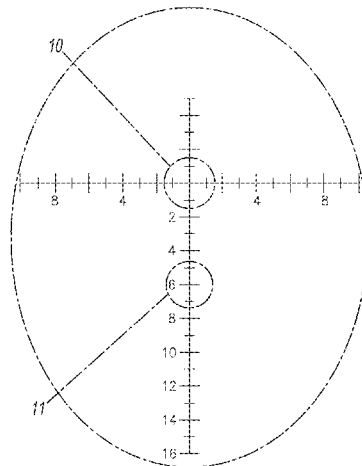
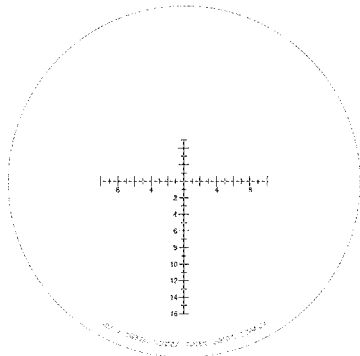
OTHER PUBLICATIONS
 Japanese Office Action for Patent Application No. JP 2018-019348 dated Feb. 22, 2019 (9 pages).
 (Continued)

Primary Examiner — Karen S Acker
Assistant Examiner — Steven B Reinholdt, Jr.

(74) *Attorney, Agent, or Firm* — Harness, Dickey & Pierce, P.L.C.
 (57) **CLAIM**
 The ornamental design for a lens with reticle, as shown and described.

DESCRIPTION
 FIG. 1 is a front elevation view of a lens with reticle in accordance with my new design;
 FIG. 2 is a reference view thereof showing the areas indicating from where enlarged details are taken;
 FIG. 3 is an enlarged detail view of area 3 circumscribed within FIG. 2;
 FIG. 4 is an enlarged detail view of area 4 circumscribed within FIG. 3;
 FIG. 5 is another enlarged detail view of area 5 circumscribed within FIG. 3;
 FIG. 6 is another enlarged detail view of area 6 circumscribed within FIG. 2 of a second embodiment of the lens with reticle;
 FIG. 7 is an enlarged detail view of area 7 circumscribed within FIG. 6;
 FIG. 8 is another enlarged detail view of area 8 circumscribed within FIG. 6;
 FIG. 9 is another enlarged detail view of area 9 circumscribed within FIG. 2 of a third embodiment of the lens with reticle;
 FIG. 10 is an enlarged detail view of area 10 circumscribed within FIG. 9; and,
 FIG. 11 is another enlarged detail view of area 11 circumscribed within FIG. 9.
 The dot-dash-dot broken lines are enlargement frames and lead lines that form no part of the claim. The broken line surrounding each of FIGS. 1 and 2 depicts the boundary of the claim and forms no part thereof. The evenly spaced broken lines in FIGS. 1 and 2 depict text that forms no part of the claimed design. The evenly spaced broken lines in FIGS. 6-9 and 11 depict portions of the lens with reticle that form no part of the claimed design.

1 Claim, 8 Drawing Sheets



(56)

References Cited

U.S. PATENT DOCUMENTS

2011/0107649 A1* 5/2011 Buck F41G 1/473
42/130
2015/0276346 A1* 10/2015 Hamilton F41G 1/473
42/123

OTHER PUBLICATIONS

“Landscape Reflected In a High Magnification Reticle Scope” blog
post by Coyote dated Aug. 7, 2009, URL: [https://blog.goo.ne.jp/
coyote222/e/c130521e68a4ba5bfc52b1314852485](https://blog.goo.ne.jp/coyote222/e/c130521e68a4ba5bfc52b1314852485) (15 pages).

* cited by examiner

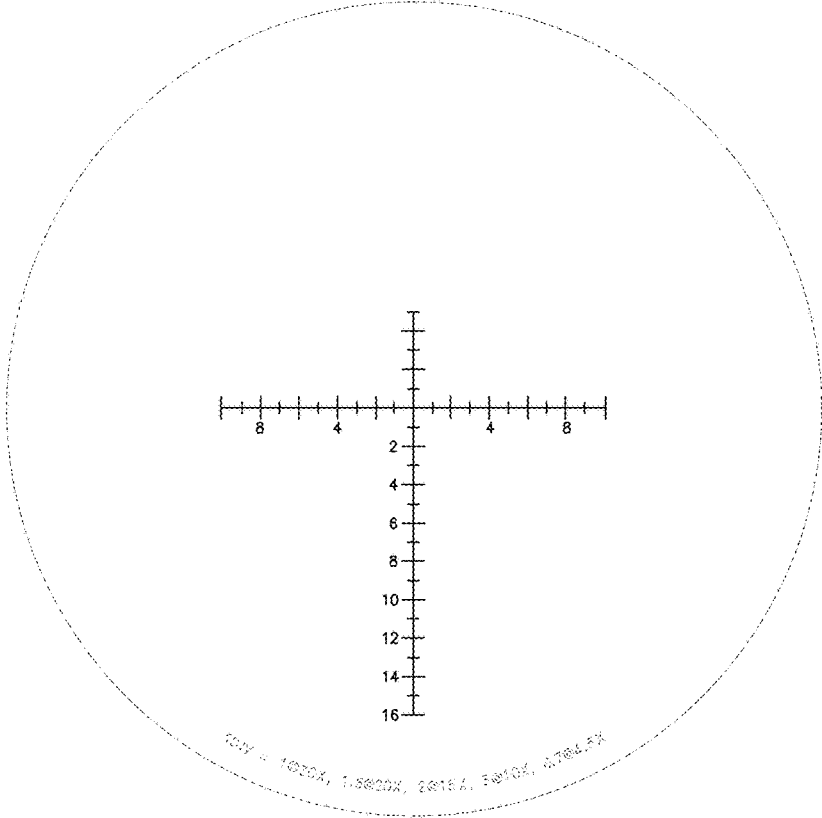


FIG-1

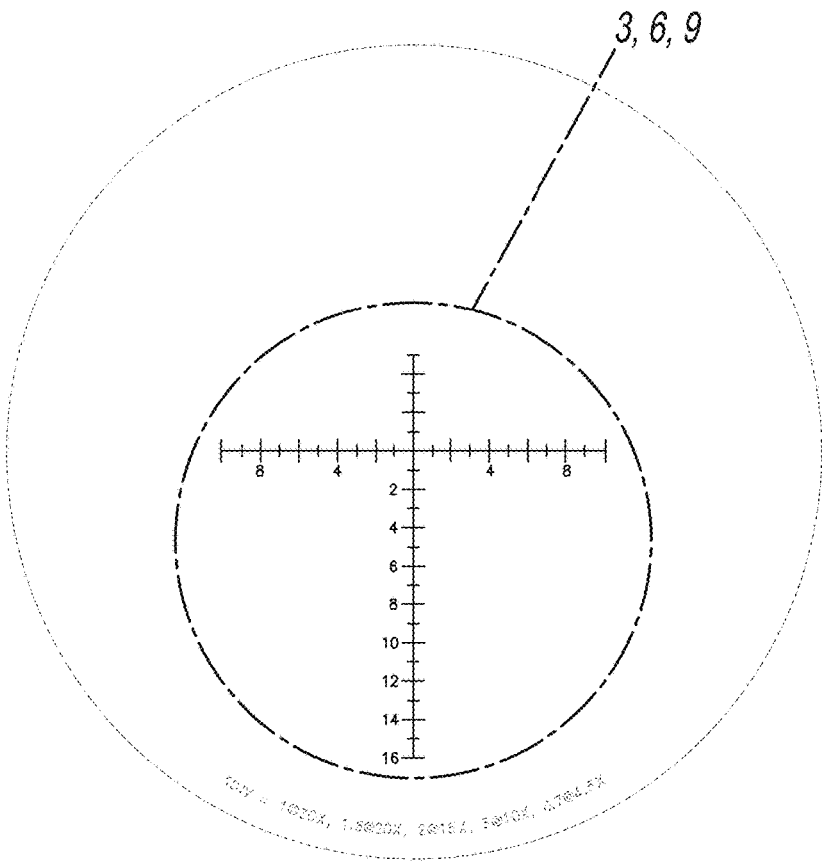


FIG-2

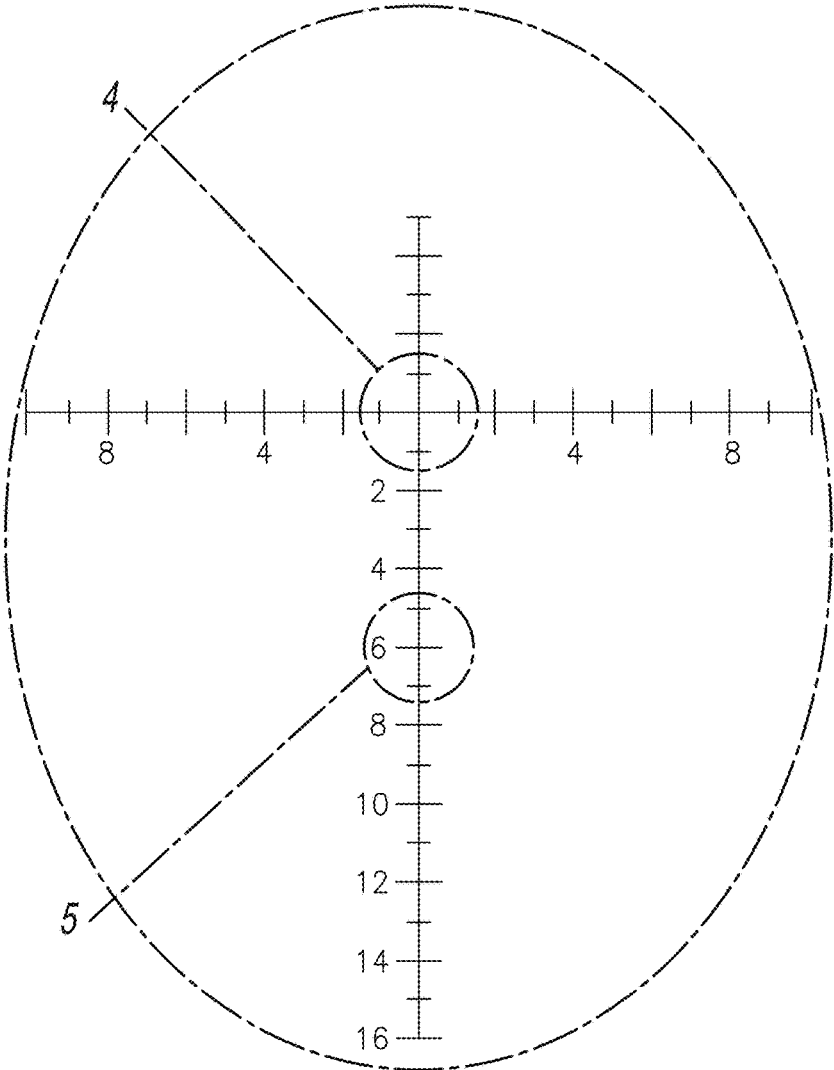


FIG - 3

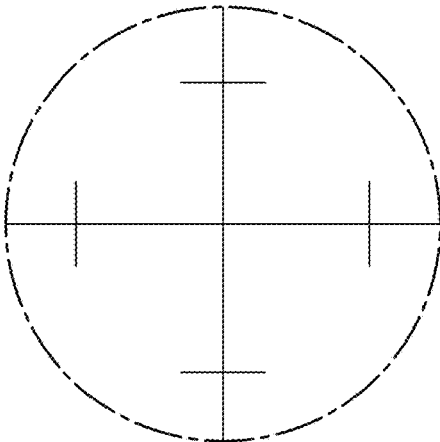


FIG - 4

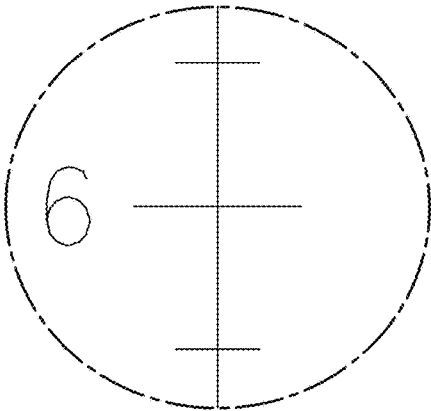


FIG - 5

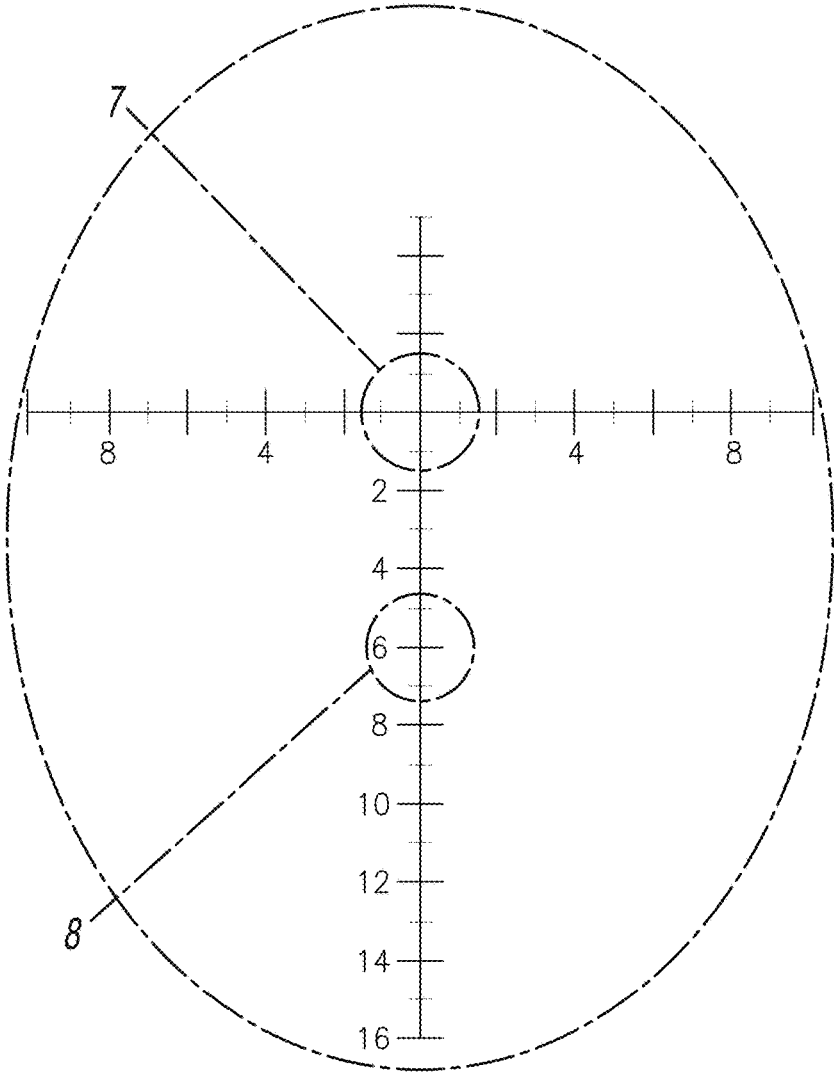


FIG - 6

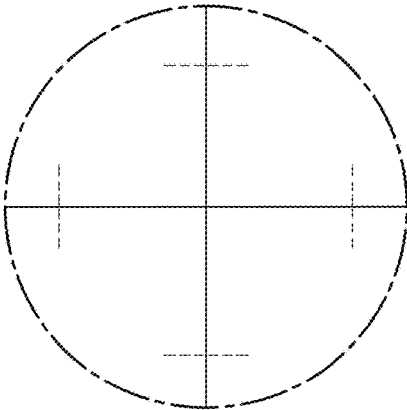


FIG - 7

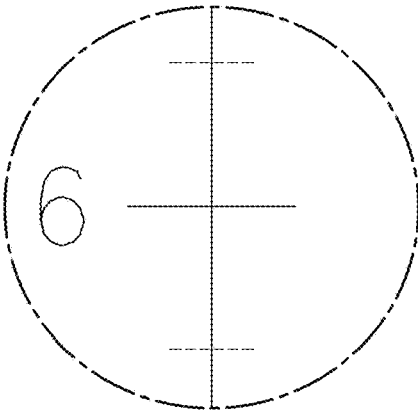


FIG - 8

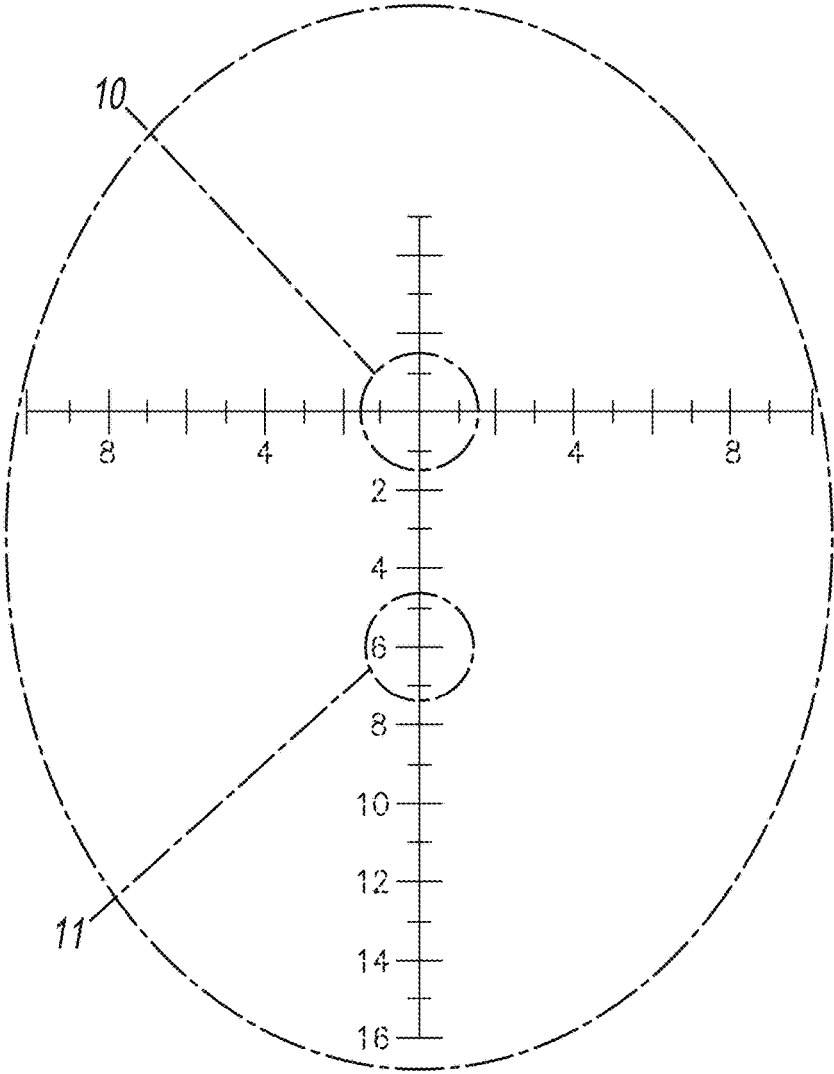


FIG - 9

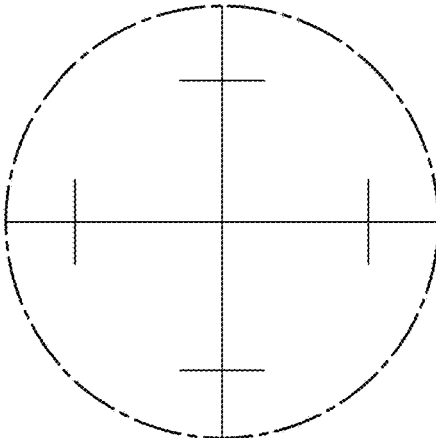


FIG - 10

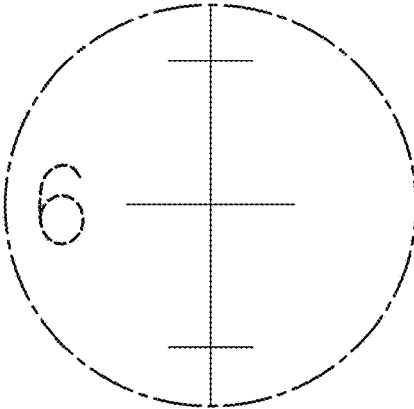


FIG - 11