



US00D926874S

(12) **United States Design Patent** (10) **Patent No.:** **US D926,874 S**
Renzi (45) **Date of Patent:** **** Aug. 3, 2021**

(54) **REPLACEMENT HEEL PEDESTAL** 6,211,449 B1 * 4/2001 Lai G10D 13/11
84/422.1
(71) Applicant: **John Renzi**, Riverside, CA (US) D461,295 S * 8/2002 Pollastrelli D2/951
D517,499 S * 3/2006 Pollard D13/167
(72) Inventor: **John Renzi**, Riverside, CA (US) D552,306 S * 10/2007 Shin D30/146
(**) Term: **15 Years** (Continued)

FOREIGN PATENT DOCUMENTS

(21) Appl. No.: **29/675,212** WO WO-2017127458 A1 * 7/2017 G10D 13/11

(22) Filed: **Dec. 28, 2018**

OTHER PUBLICATIONS

Kickstarter, Renzi—Advanced Heel Pedestal System, updated Oct. 26, 2017, [online], [visited Apr. 8, 2021]. Internet, <URL: https://www.kickstarter.com/projects/1906370412/renzi-advanced-heel-pedestal-system-ahps/posts> (Year: 2017).*

(Continued)

Related U.S. Application Data

(60) Division of application No. 29/589,421, filed on Dec. 30, 2016, now Pat. No. Des. 842,373, which is a continuation-in-part of application No. 14/822,531, filed on Aug. 10, 2015, now abandoned.

(51) **LOC (13) CL.** **17-99**
(52) **U.S. CL.**
USPC **D17/99**

(58) **Field of Classification Search**
USPC D17/4, 9, 13, 20, 21, 22, 23, 24, 99;
D30/146, 149; D13/158, 167, 173, 199;
D2/946, 947, 951, 964, 965, 968;
D21/405, 409, 411, 513, 483, 516;
D8/402
CPC G10D 13/00; G10D 13/01; G10D 13/02;
G10D 13/03; G10D 13/06; G10D 13/065;
G10D 13/063; G10D 13/10; G10D 13/11;
G10D 13/24

See application file for complete search history.

Primary Examiner — Sheryl Lane
Assistant Examiner — Samantha N Wood
(74) *Attorney, Agent, or Firm* — Kevin Schraven; Anooj Patel; Hankin Patent Law, APC

(57) **CLAIM**

The ornamental design for a replacement heel pedestal, as shown and described.

DESCRIPTION

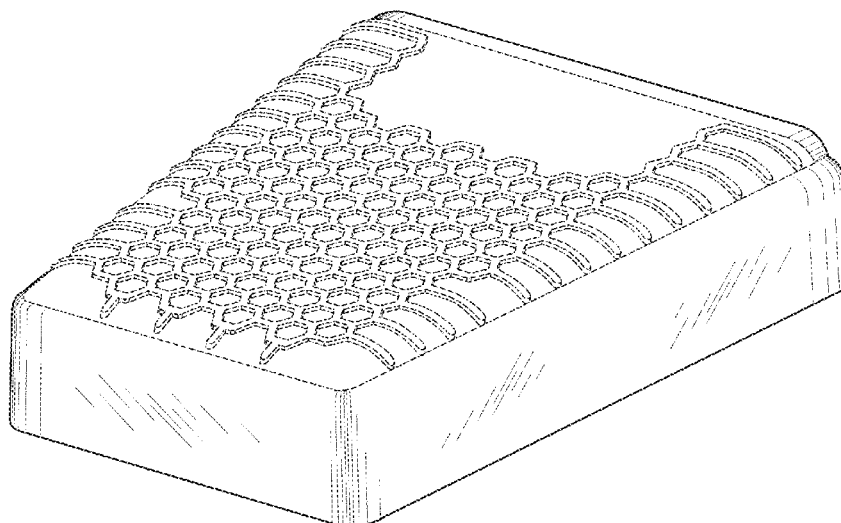
FIG. 1 is a top perspective view of the replacement heel pedestal showing my new design.
FIG. 2 is a bottom perspective view thereof.
FIG. 3 is a top plan view thereof.
FIG. 4 is a bottom plan view thereof
FIG. 5 is a left side elevational view thereof.
FIG. 6 is a right side elevational view thereof.
FIG. 7 is a rear elevational view thereof; and,
FIG. 8 is a front elevational view thereof.
The broken lines showing grip pattern are for the purpose of illustrating environmental structure and unclaimed subject matter and form no part of the claimed design.

1 Claim, 8 Drawing Sheets

(56) **References Cited**

U.S. PATENT DOCUMENTS

D32,584 S * 4/1900 Killion D30/149
2,489,018 A * 11/1949 Dodge A43B 3/16
36/1
D182,879 S * 5/1958 De Jur D13/167
D242,383 S * 11/1976 Clark, Jr. D17/22
D264,147 S * 5/1982 Heath D32/54
D378,548 S * 3/1997 Harman, II D2/925



(56)

References Cited

U.S. PATENT DOCUMENTS

D765,957 S * 9/2016 Dupuy D2/946
D794,929 S * 8/2017 Petrie D2/957
D813,512 S * 3/2018 Badrian D2/968
2003/0154846 A1 * 8/2003 Adams G10D 13/11
84/422.1
2005/0016320 A1 * 1/2005 Porter B60T 7/06
74/512
2008/0173159 A1 * 7/2008 Chen G10D 13/11
84/422.1
2014/0182445 A1 * 7/2014 Liao G10D 13/11
84/422.1
2017/0221460 A1 * 8/2017 Reens G10D 13/11
2019/0221195 A1 * 7/2019 Renzi G10D 13/11

OTHER PUBLICATIONS

Youtube, DW 9000 Double Bass Pedal Overview, posted Mar. 25, 2010, [online], [visited Apr. 9, 2021]. Internet, <URL: <https://www.youtube.com/watch?v=3NGiqkrEHc0>> (Year: 2010).*

Amazon, Essentials Single Bass Drum Pedal, posted Feb. 3, 2015, [online], [visited Apr. 2, 2020]. Internet, <URL: https://www.amazon.co.uk/Essentials-Single-Pedal-Driven-Baseplate/dp/B003SQBMVE/ref=olp_product_details?ie=UTF8&me=>> (Year: 2015).*

Amazon, XDrum Pro Single Bass Drum Pedal, posted Sep. 9, 2010, [online], [visited Apr. 9, 2021]. Internet, <URL: https://www.amazon.co.uk/XDrum-Single-Bass-Drum-Pedal/dp/B000UX0UA2/ref=psdc_5496214031_t1_B002KDQACW> (Year: 2010).*

* cited by examiner

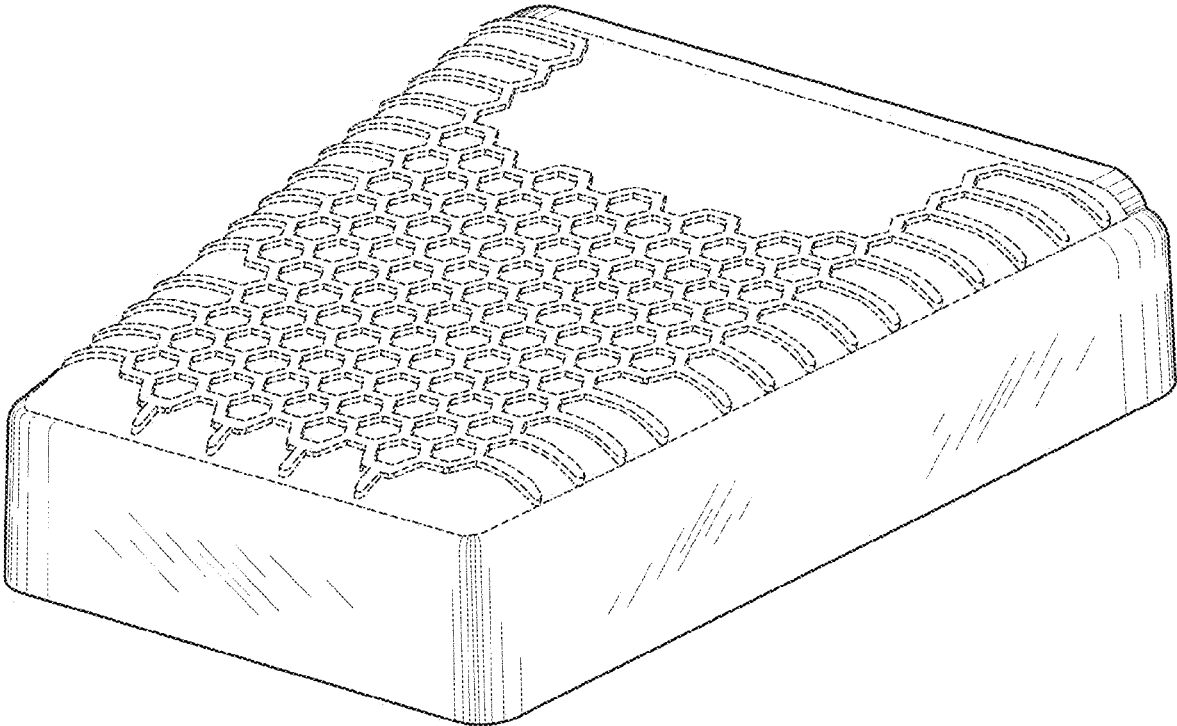


Fig.1

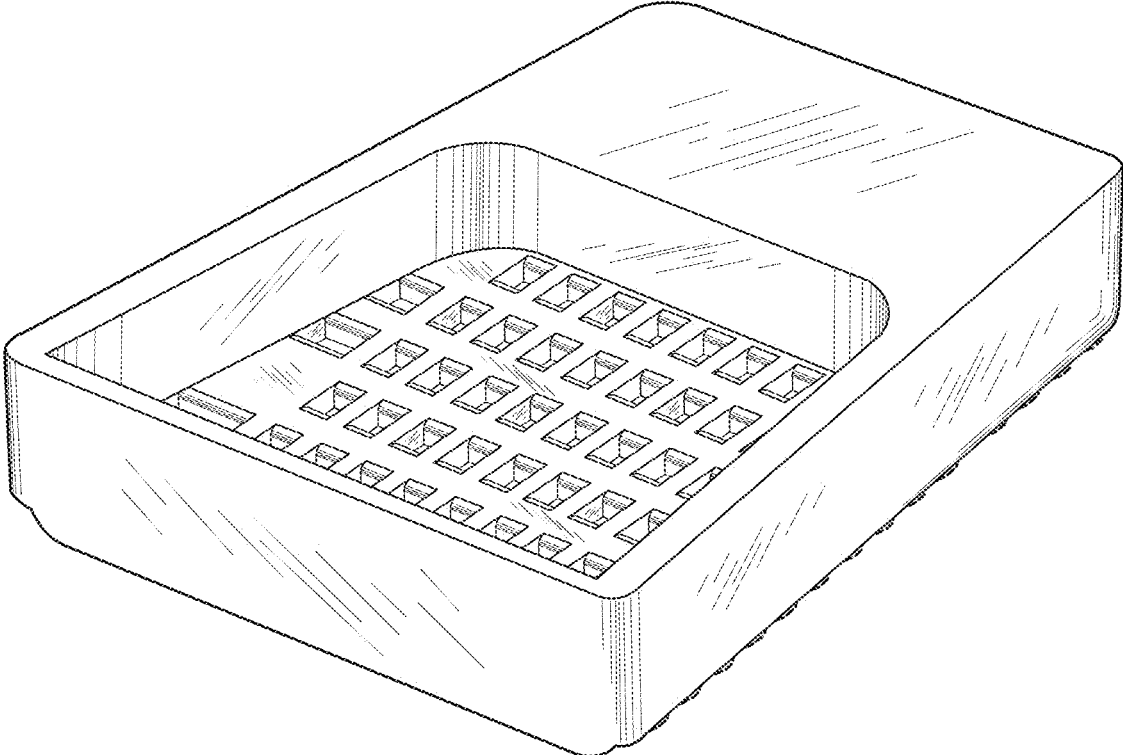


Fig.2

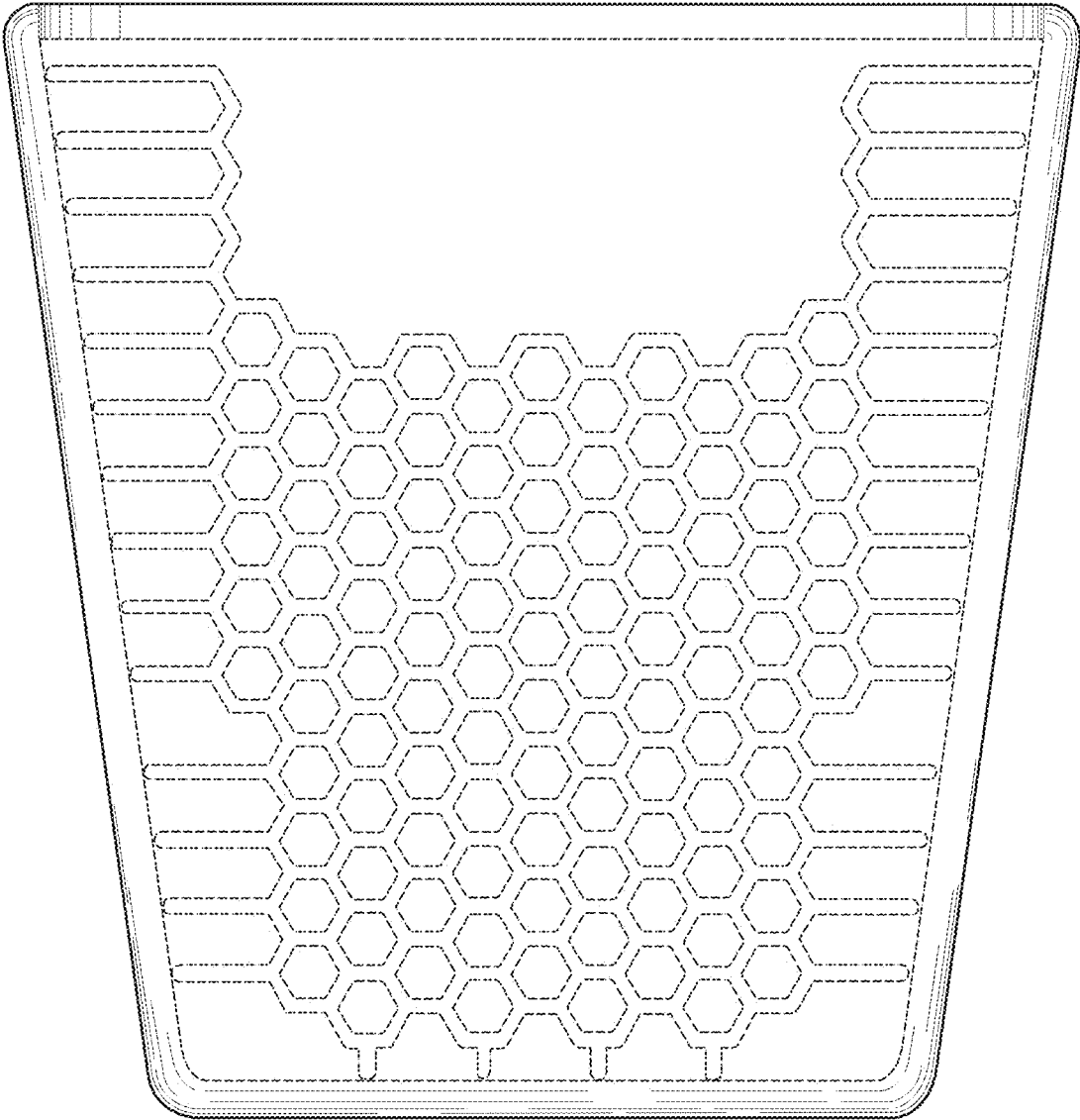


Fig.3

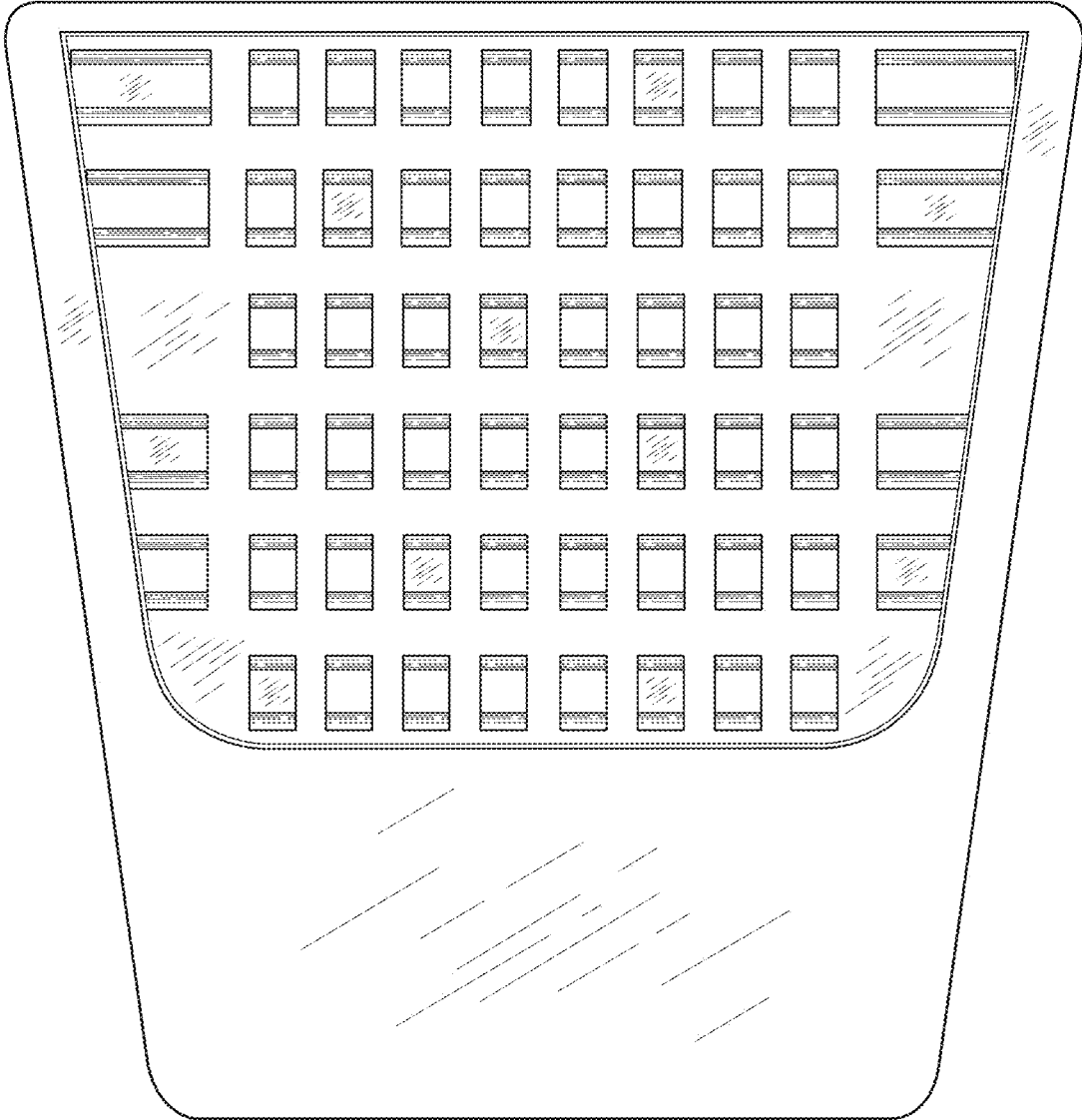


Fig.4

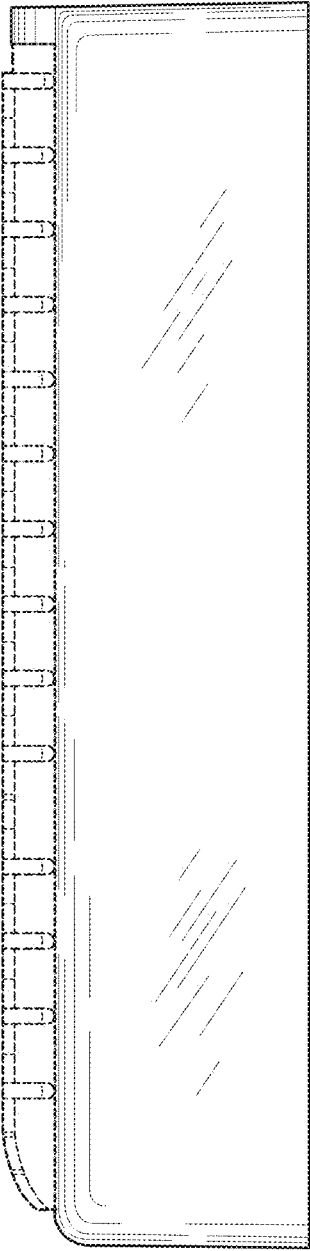


Fig.5

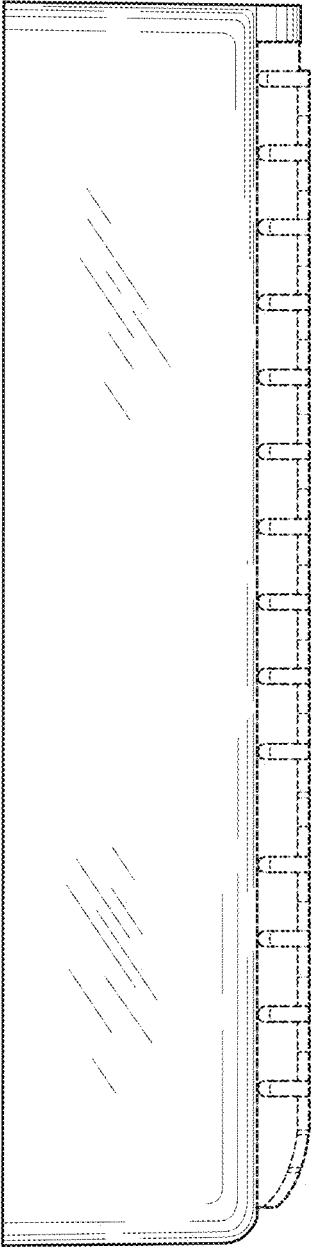


Fig.6

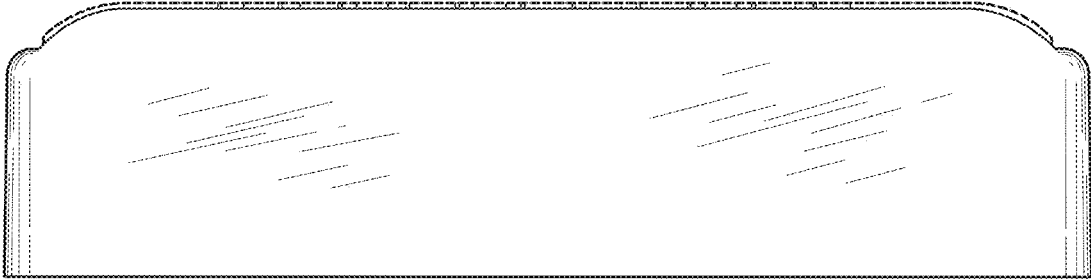


Fig.7

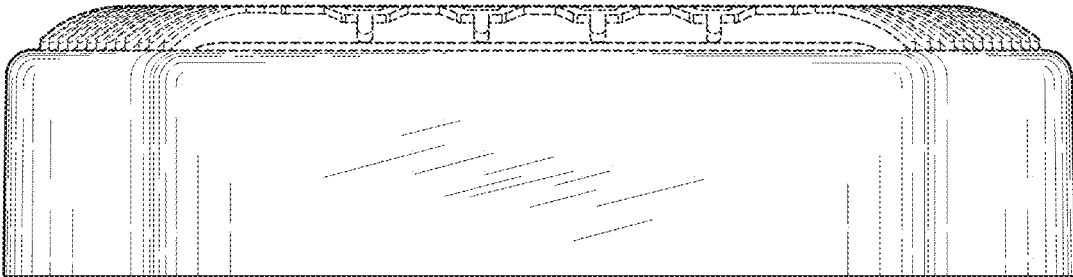


Fig.8