

(19) World Intellectual Property Organization
International Bureau



(43) International Publication Date
19 June 2003 (19.06.2003)

PCT

(10) International Publication Number
WO 03/049910 A3

- (51) International Patent Classification⁷: **B25J 17/02**
- (21) International Application Number: PCT/US02/38790
- (22) International Filing Date: 4 December 2002 (04.12.2002)
- (25) Filing Language: English
- (26) Publication Language: English
- (30) Priority Data:
10/012,602 8 December 2001 (08.12.2001) US
- (71) Applicant: **COMPUTER MOTION, INC.** [US/US];
University Business Center, 130-B Cremona Drive, Goleta,
CA 93117 (US).

(81) Designated States (*national*): AE, AG, AL, AM, AT, AU, AZ, BA, BB, BG, BR, BY, BZ, CA, CH, CN, CO, CR, CU, CZ, DE, DK, DM, DZ, EC, EE, ES, FI, GB, GD, GE, GH, GM, HR, HU, ID, IL, IN, IS, JP, KE, KG, KP, KR, KZ, LC, LK, LR, LS, LT, LU, LV, MA, MD, MG, MK, MN, MW, MX, MZ, NO, NZ, OM, PH, PL, PT, RO, RU, SC, SD, SE, SG, SK, SL, TJ, TM, TR, TT, TZ, UA, UG, UZ, VC, VN, YU, ZA, ZM, ZW.

(84) Designated States (*regional*): ARIPO patent (GH, GM, KE, LS, MW, MZ, SD, SL, SZ, TZ, UG, ZM, ZW), Eurasian patent (AM, AZ, BY, KG, KZ, MD, RU, TJ, TM), European patent (AT, BE, BG, CH, CY, CZ, DE, DK, EE, ES, FI, FR, GB, GR, IE, IT, LU, MC, NL, PT, SE, SI, SK, TR), OAPI patent (BF, BJ, CF, CG, CI, CM, GA, GN, GQ, GW, ML, MR, NE, SN, TD, TG).

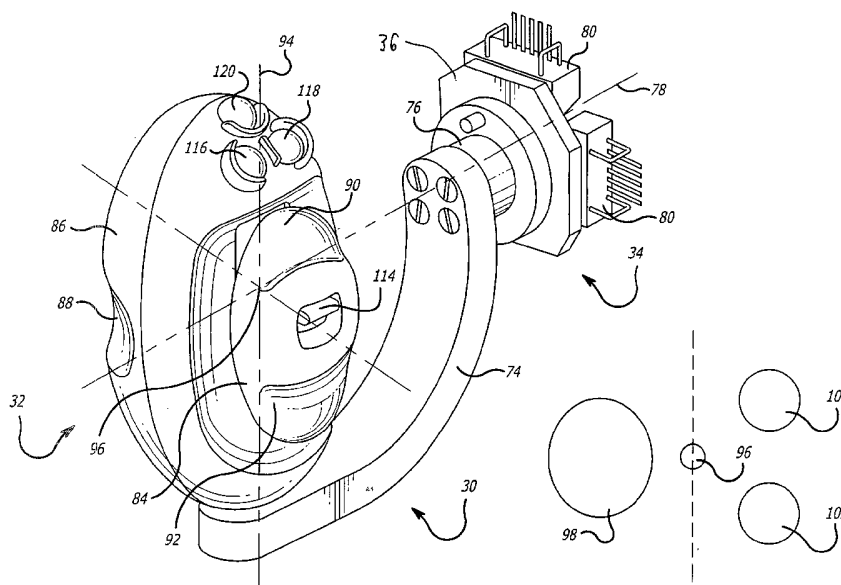
Published:
— with international search report

(88) Date of publication of the international search report:
4 December 2003

- (72) Inventors: **SANCHEZ, Dan**; 1140 Via Regina, Santa Barbara, CA 93111 (US). **UECKER, Darrin**; 3048 Foothill Road, Santa Barbara, CA 93105 (US).
- (74) Agent: **YORKS, Ben, J.**; Irell & Manella LLP, Suite 400, 840 Newport Center Drive, Newport Beach, CA 92660 (US).

For two-letter codes and other abbreviations, refer to the "Guidance Notes on Codes and Abbreviations" appearing at the beginning of each regular issue of the PCT Gazette.

(54) Title: MULTIFUNCTIONAL HANDLE FOR A MEDICAL ROBOTIC SYSTEM



(57) Abstract: A handle (32) used to control movement of a medical instrument (50). The medical instrument (50) may be coupled to a robotic arm (12) that is connected to a controller (22). The medical instrument (50) may have a plurality of functions such as wrist locking (132) and motion scaling (134). One of the functions may be selected through a graphical user interface (130) operated by the end user. The handle may have a plurality of buttons (116, 118, 120). One of the buttons may allow the end user to control the selected function. For example, when wrist locking/unlocking is selected, depressing the button can toggle the medical instrument wrist between a locked state and an unlocked state.

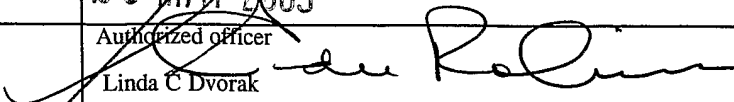


WO 03/049910 A3

INTERNATIONAL SEARCH REPORT

International application No.

PCT/US02/38790

A. CLASSIFICATION OF SUBJECT MATTER		
IPC(7) : B25J 17/02 US CL : 901/29; 606/1		
According to International Patent Classification (IPC) or to both national classification and IPC		
B. FIELDS SEARCHED		
Minimum documentation searched (classification system followed by classification symbols) U.S. : 901/29; 606/1, 130; 600/102		
Documentation searched other than minimum documentation to the extent that such documents are included in the fields searched		
Electronic data base consulted during the international search (name of data base and, where practicable, search terms used)		
C. DOCUMENTS CONSIDERED TO BE RELEVANT		
Category *	Citation of document, with indication, where appropriate, of the relevant passages	Relevant to claim No.
X --- Y	US 6,233,504 B1 (DAS et al) 15 May 2001 (15.05.2001), entire document.	1-4, 6, 7, 9, 10, 12-14, 16, 17, 19-22 ----- 5, 8, 11, 15, 18, 23
X --- Y	US 2001/0027312 A1 (BACHER et al) 04 October 2001 (04.10.2001), entire document.	1, 3, 5 ----- 8, 15
Y	US 5,762,458 A (WANG et al) 09 June 1998 (09.06.1998), col 4.	11, 18, 23
A	US 4,854,301A (NAKAJIMA) 08 August 1989 (08.08.1989), entire document.	1-23
A	US 6,179,829 B1 (BISCH et al) 30 January 2001 (30.01.2001), entire document.	1-23
A, P	US 2002/0120252 A1(BROCK et al) 29 August 2002 (29.08.2002), entire document.	1-23
<input type="checkbox"/> Further documents are listed in the continuation of Box C. <input type="checkbox"/> See patent family annex.		
* Special categories of cited documents:		
"A" document defining the general state of the art which is not considered to be of particular relevance "E" earlier application or patent published on or after the international filing date "L" document which may throw doubts on priority claim(s) or which is cited to establish the publication date of another citation or other special reason (as specified) "O" document referring to an oral disclosure, use, exhibition or other means "P" document published prior to the international filing date but later than the priority date claimed	"T" later document published after the international filing date or priority date and not in conflict with the application but cited to understand the principle or theory underlying the invention "X" document of particular relevance; the claimed invention cannot be considered novel or cannot be considered to involve an inventive step when the document is taken alone "Y" document of particular relevance; the claimed invention cannot be considered to involve an inventive step when the document is combined with one or more other such documents, such combination being obvious to a person skilled in the art "&" document member of the same patent family	
Date of the actual completion of the international search	Date of mailing of the international search report	
24 February 2003 (24.02.2003)	20 MAY 2003	
Name and mailing address of the ISA/US Commissioner of Patents and Trademarks Box PCT Washington, D.C. 20231 Facsimile No. (703)305-3230	Authorized officer  Linda C Dvorak Telephone No. (703) 308-0858	