

[54] TEST AND MEASUREMENT INSTRUMENT FOR ANALYZING DIGITAL SIGNALS

[76] Inventors: James A. Hill, 19605 SW. Jann Ct., Aloha, Ore. 97005; Edward B. Gerlinger, 3023 16th Pl., Forest Grove, Ore. 97116; Robert H. Leith, 1444 SE. Brookwood, Hillsboro, Ore. 97123; Jaime A. Navia, 5225 SW. Murray Blvd., Beaverton, Ore. 97005

[**] Term: 14 Years

[21] Appl. No.: 774,559

[22] Filed: Mar. 4, 1977

[51] Int. Cl. D10-04

[52] U.S. Cl. D10/75

[58] Field of Search D10/46, 75, 78, 81; 324/73 R, 51, 156

[56] References Cited

U.S. PATENT DOCUMENTS

D. 200,119	1/1965	Huntsman	D10/81
3,829,773	8/1974	Nigg	324/156 X
3,870,953	3/1975	Boatman	324/73 R
3,986,106	10/1976	Shuck	324/51
4,034,287	7/1977	Manduley	324/73 R
4,081,022	3/1978	Wester	324/73 R

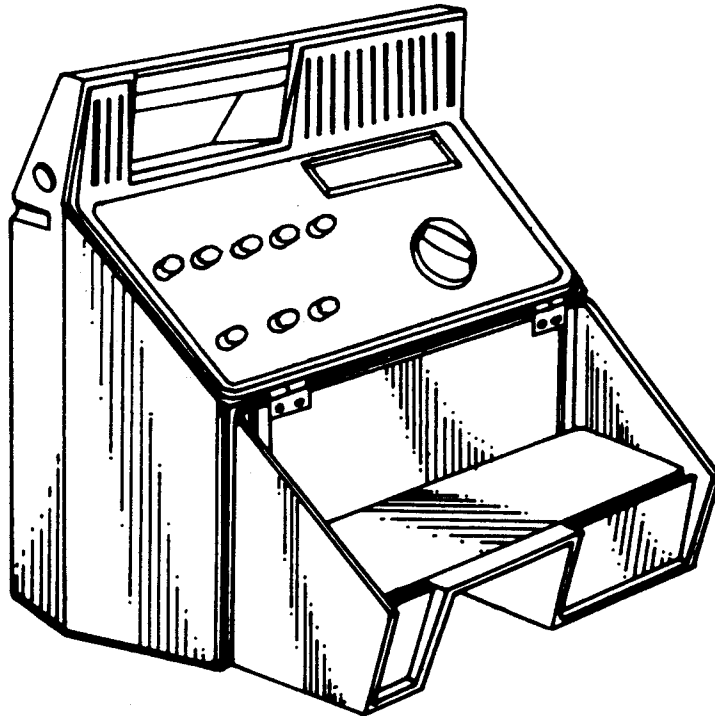
Primary Examiner—Nelson C. Holtje
Attorney, Agent, or Firm—George T. Noe

[57] CLAIM

The ornamental design for a test and measurement instrument for analyzing digital signals, as shown and described.

DESCRIPTION

FIG. 1 is a front perspective view of a test and measurement instrument for analyzing digital signals with a removable cover in place, showing our new design; FIG. 2 is a front perspective view thereof with the cover removed; FIG. 3 is a front perspective view thereof with the cover hinged open; FIG. 4 is a rear perspective view thereof with the removable cover in place; FIG. 5 is a rear perspective view thereof with the cover removed; FIG. 6 is a rear perspective view thereof with the cover hinged open; FIG. 7 is a front elevation view thereof; FIG. 8 is a rear elevation view thereof; FIG. 9 is a top plan view thereof; FIG. 10 is a bottom plan view thereof; FIG. 11 is a left side elevation view thereof, and FIG. 12 is a right side elevation view thereof.



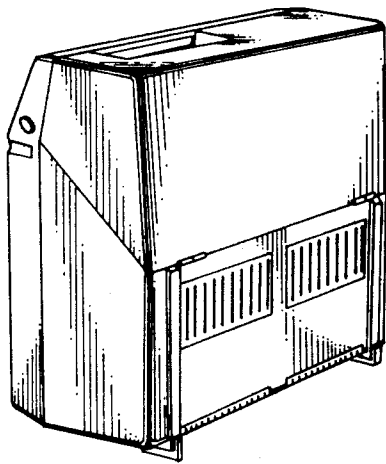


FIG 1

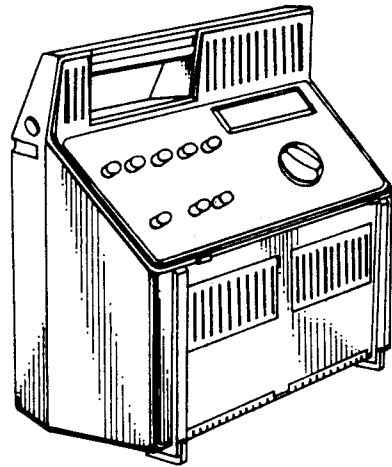


FIG 2

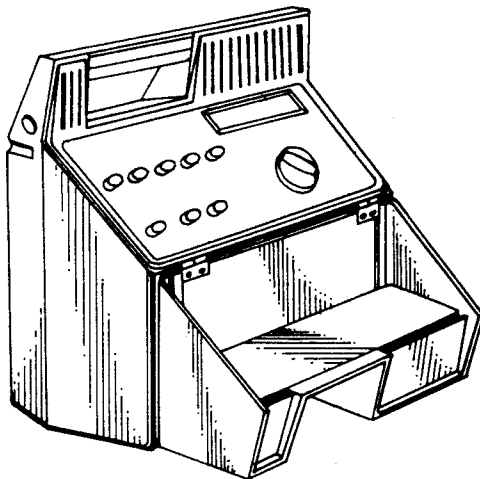


FIG 3

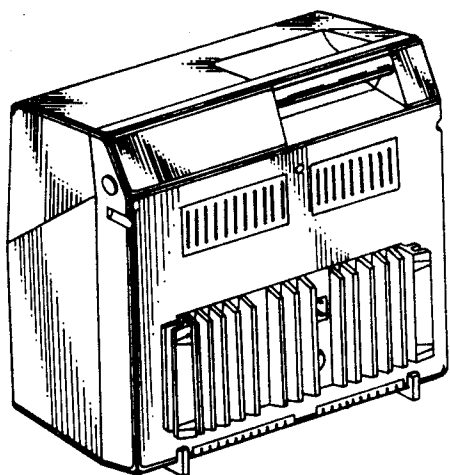


FIG 4

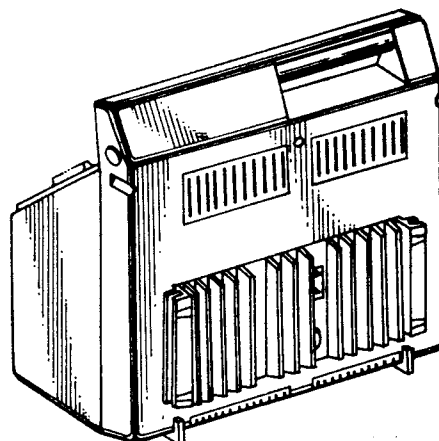


FIG 5

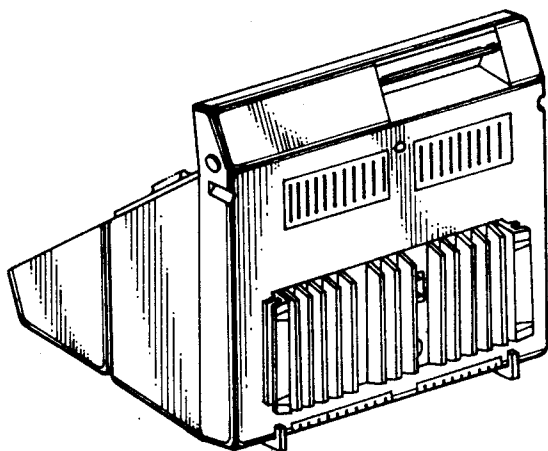


FIG 6

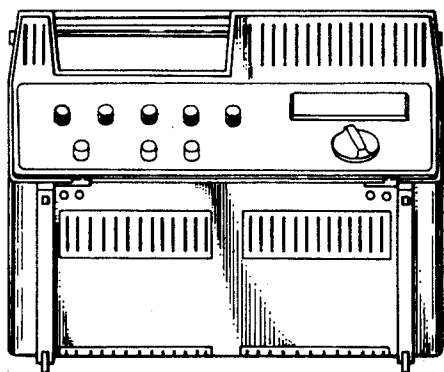


FIG 7

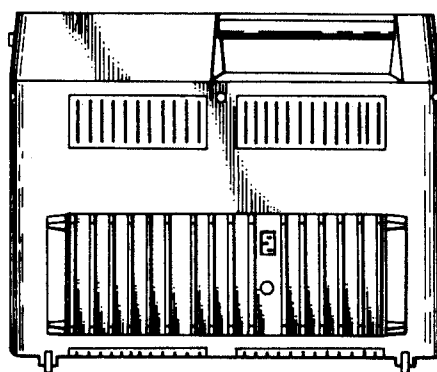


FIG 8

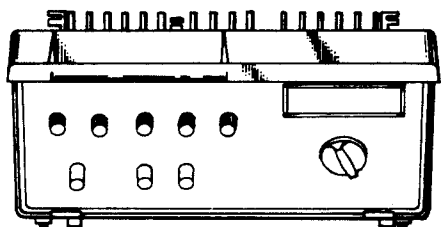


FIG 9

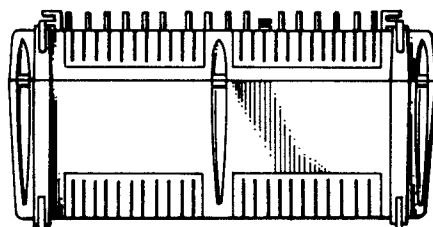


FIG 10

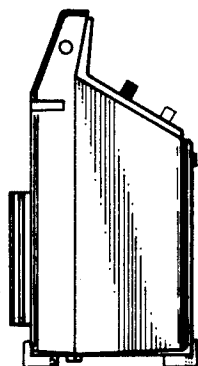


FIG 11

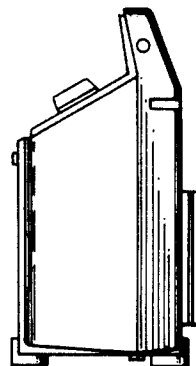


FIG 12