



US00D43775S

(12) **United States Design Patent** (10) **Patent No.:** **US D437,775 S**
Dalmau (45) **Date of Patent:** **** Feb. 20, 2001**

(54) **SPACE SHIP BOTTLE**

(57) **CLAIM**

(76) **Inventor:** **Jorge Dalmau**, 6801 Granada Blvd.,
Coral Gables, FL (US) 33146

I claim the ornamental design for a space ship bottle, as shown.

(**) **Term:** **14 Years**

DESCRIPTION

(21) **Appl. No.:** **29/101,301**

FIG. 1 is a top front perspective view of the space ship bottle design.

(22) **Filed:** **Feb. 26, 1999**

FIG. 2 is a front elevation view of the space ship bottle design.

(51) **LOC (7) Cl.** **09-01**

FIG. 3 is a full section view of the space ship bottle design taken along line 3—3 in **FIG. 2**.

(52) **U.S. Cl.** **D9/308**

FIG. 4 is a left side elevation view of the space ship bottle design.

(58) **Field of Search** D9/307, 308, 522,
D9/544, 575; 215/379—384, 400

FIG. 5 is a rear elevation view of the space ship bottle design.

(56) **References Cited**

FIG. 6 is a full section view of the space ship bottle design taken along plane 6—6 in **FIG. 5**.

U.S. PATENT DOCUMENTS

D. 103,287 * 2/1937 Reynolds D9/522
D. 379,925 * 6/1997 Ma D9/308

FIG. 7 is a top view of the space ship bottle design.

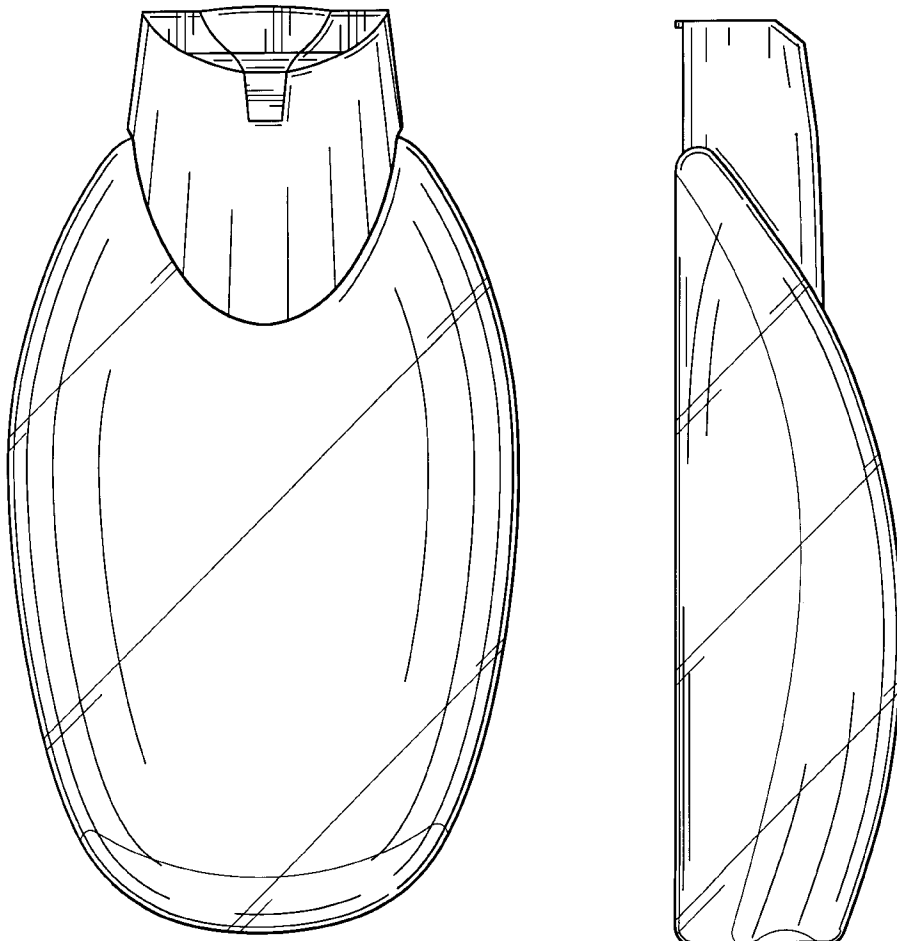
* cited by examiner

FIG. 8 is a bottom view of the space ship bottle design; and, **FIG. 9** is a top left rear perspective view of the space ship bottle design.

Primary Examiner—Terry A. Wallace

(74) *Attorney, Agent, or Firm*—Akerman Senterfitt;
Michael Cesarano

1 Claim, 6 Drawing Sheets



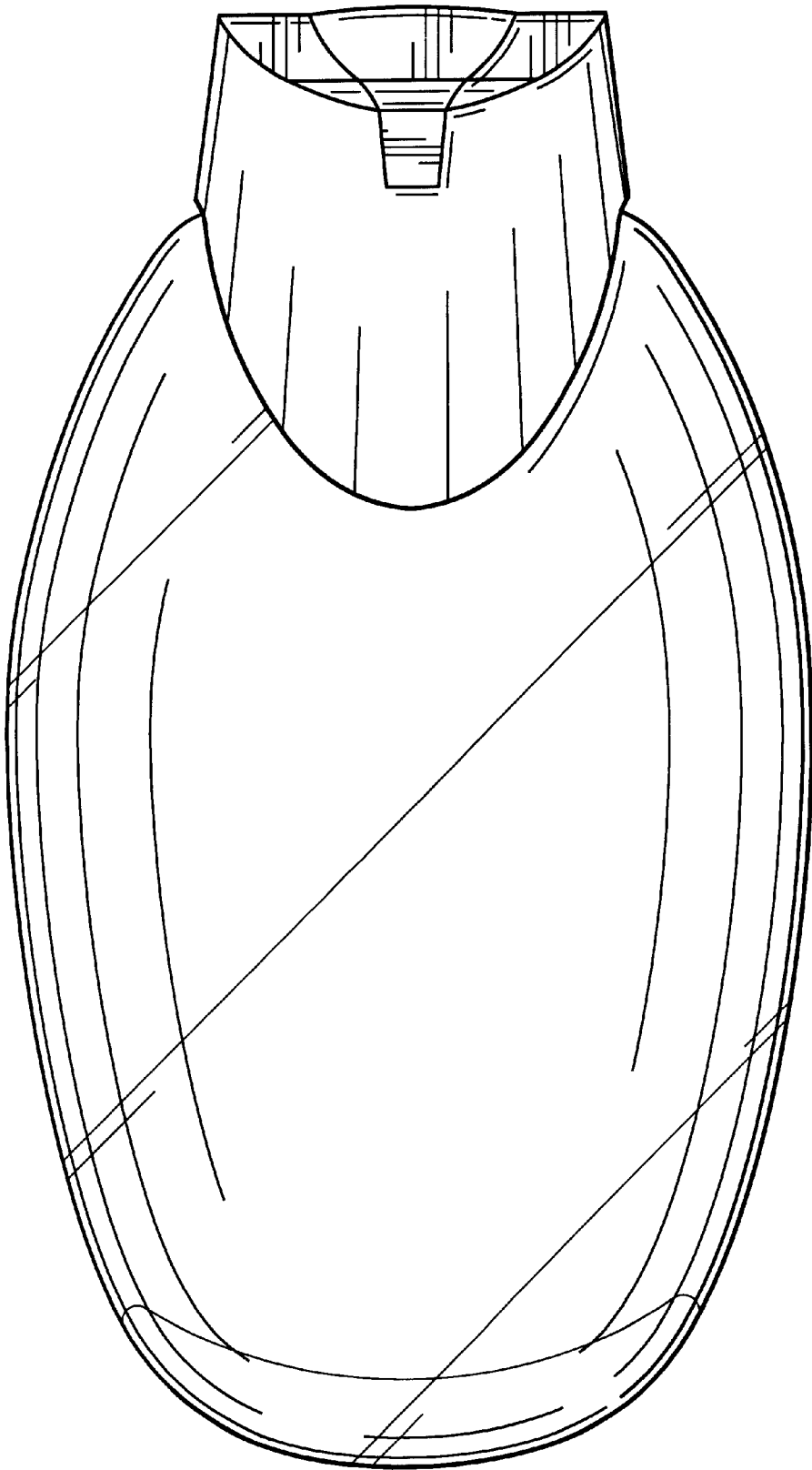


FIG. 1

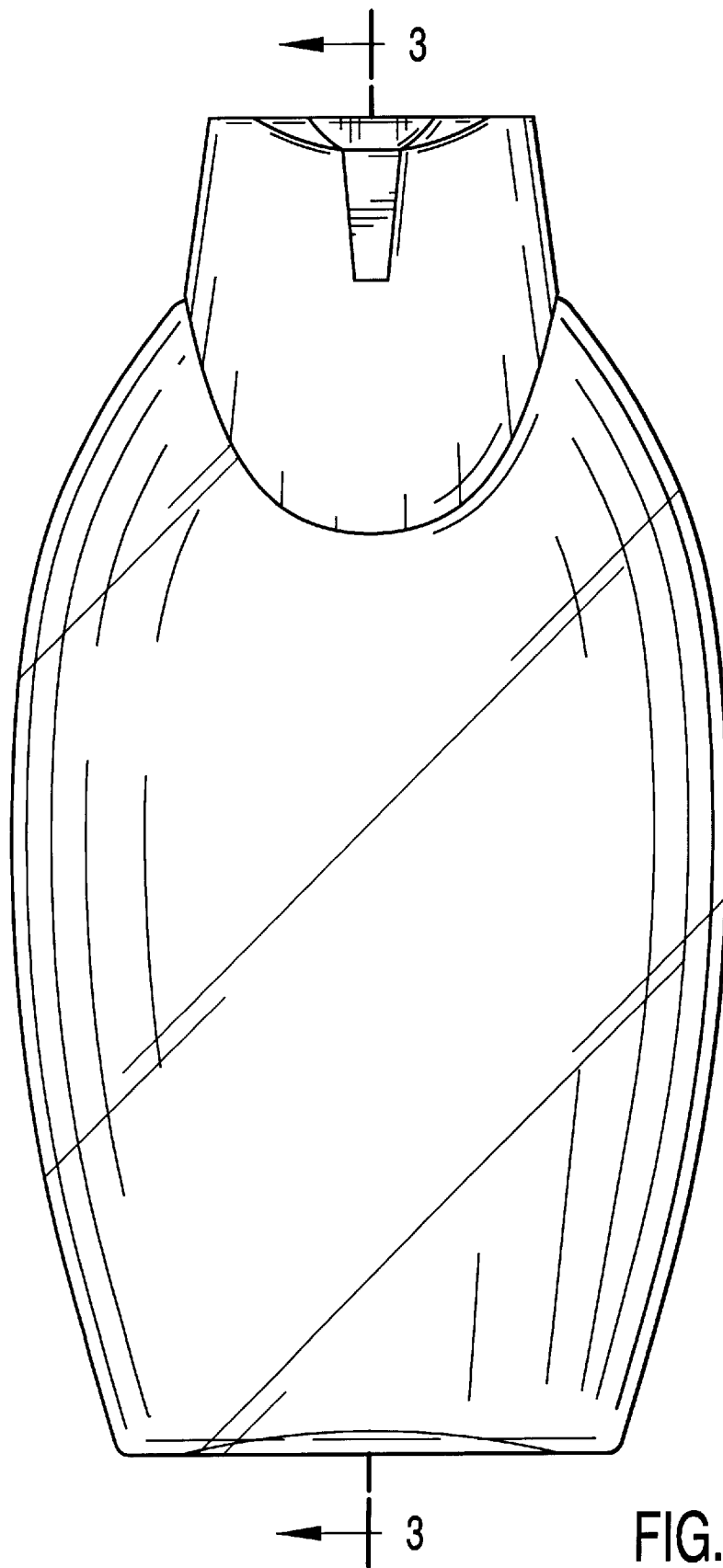


FIG. 2

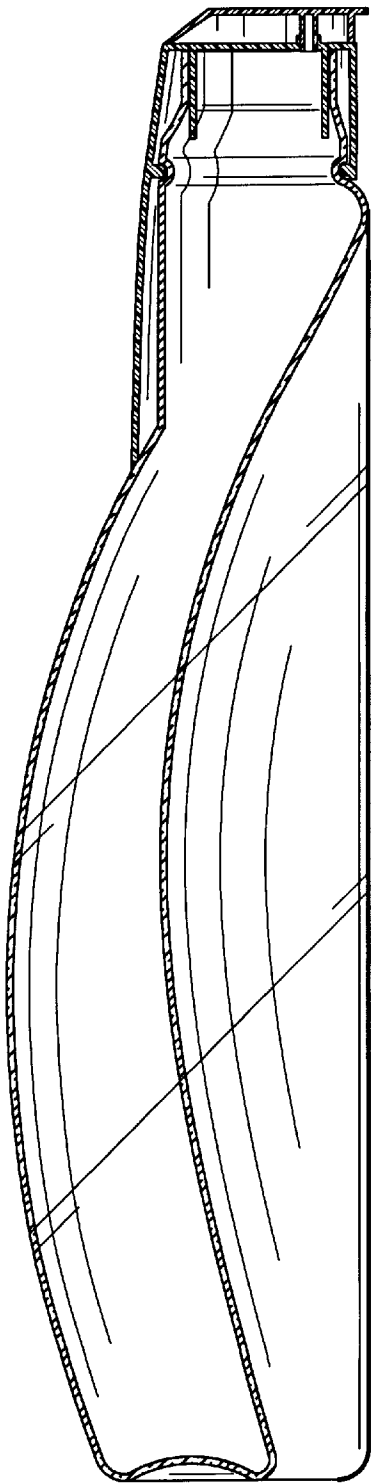


FIG. 3

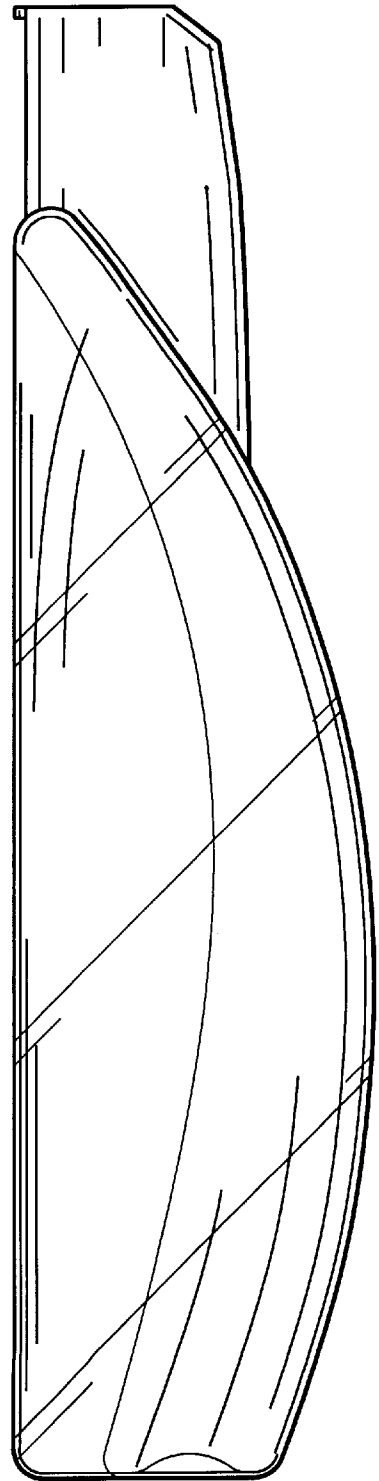


FIG. 4

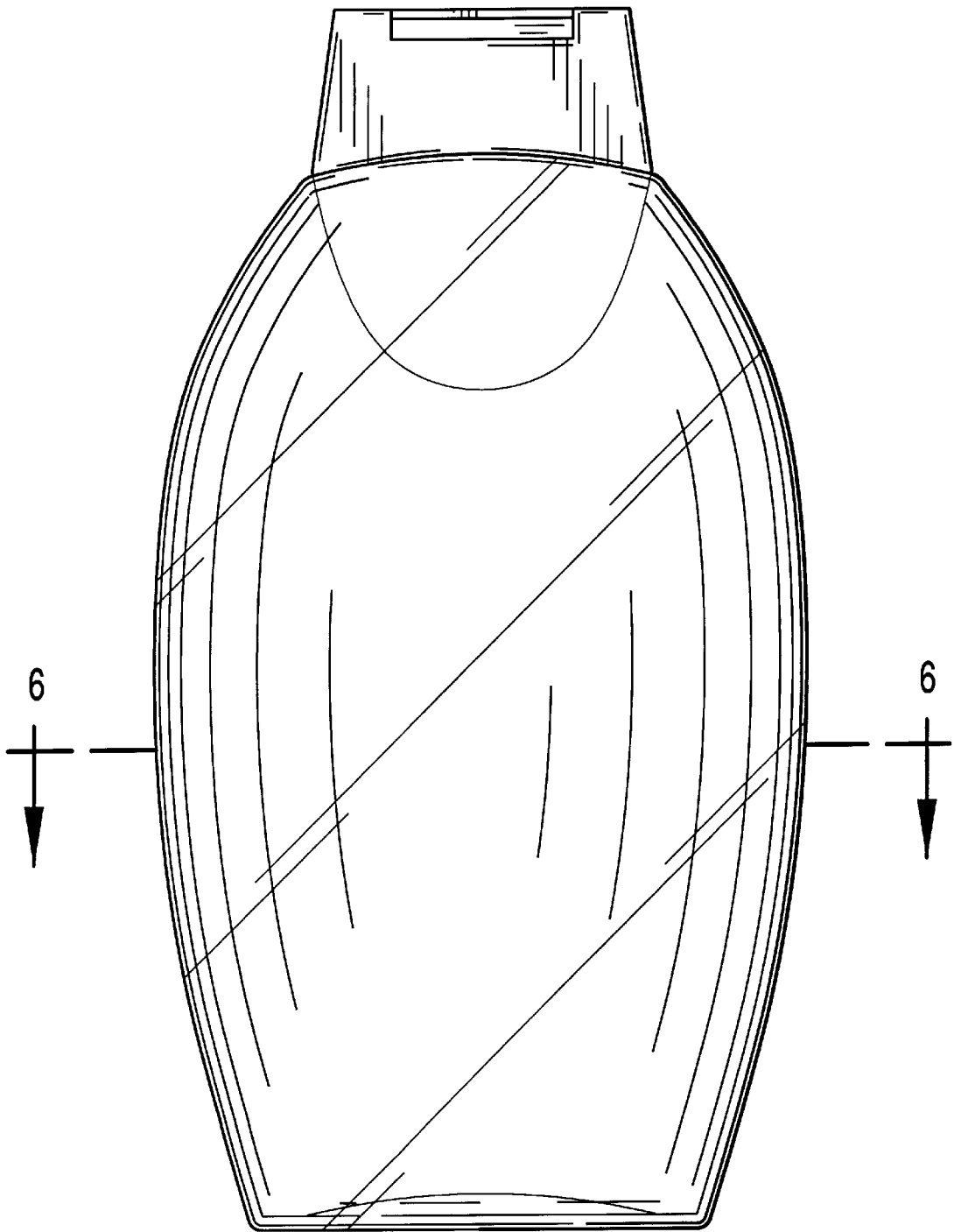


FIG. 5

FIG. 6

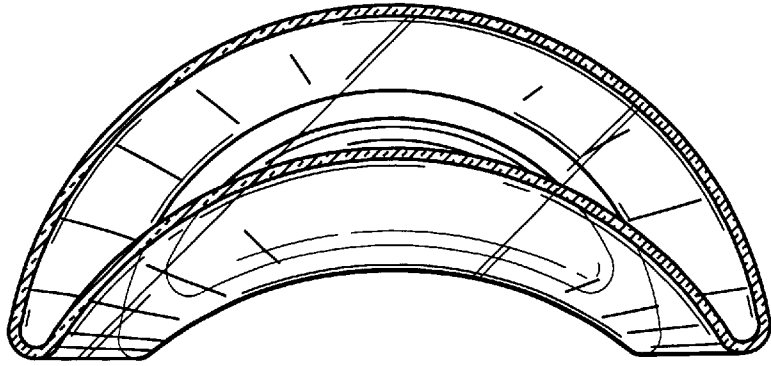


FIG. 7

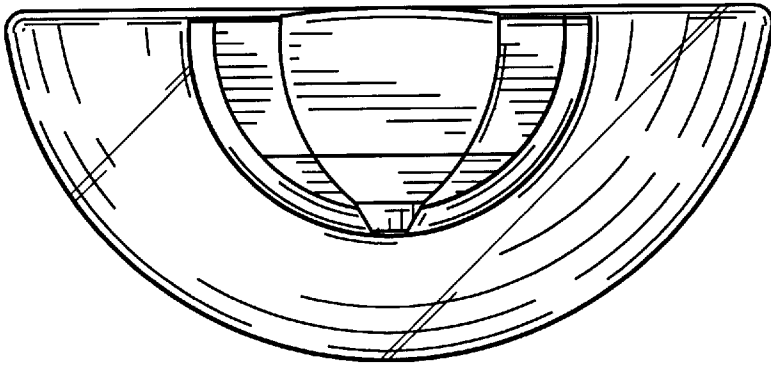


FIG. 8

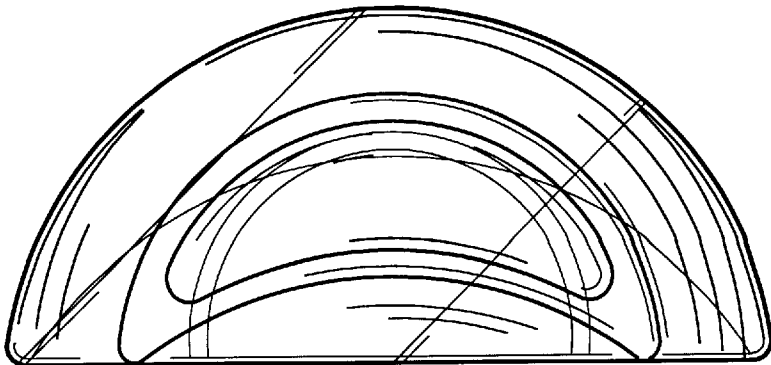




FIG. 9