



US00D574727S

(12) **United States Design Patent**
Kim

(10) **Patent No.:** **US D574,727 S**

(45) **Date of Patent:** **** Aug. 12, 2008**

(54) **TUXEDO SHIRT AND ACCESSORIES
ARRANGED IN A BOX**

(75) Inventor: **Cin Kim**, Alpine, NJ (US)

(73) Assignee: **Peacock Apparel Group, Inc.**, New York, NY (US)

(**) Term: **14 Years**

(21) Appl. No.: **29/278,098**

(22) Filed: **Mar. 19, 2007**

(51) **LOC (8) Cl.** **09-03**

(52) **U.S. Cl.** **D9/721**

(58) **Field of Classification Search** D9/414,
D9/415, 418, 423, 430, 432, 434, 456, 457,
D9/199, 715, 721, 722, 737; D2/500-502,
D2/600, 602, 605-607, 609, 728, 828-830,
D2/840-842, 847, 849, 853, 854; D3/272;
D6/300; 2/69, 77, 102, 115, 137-139, 144,
2/145, 148, 151, 154; 206/554; 223/83,
223/84; 229/87.15, 125.08, 136, 160, 161,
229/240, 275

See application file for complete search history.

(56) **References Cited**

U.S. PATENT DOCUMENTS

| | | | | | |
|-----------|-----|---------|---------------|-------|------------|
| 2,063,255 | A * | 12/1936 | Madsen et al. | | 223/83 |
| 3,043,494 | A * | 7/1962 | Moore | | 229/161 |
| D261,479 | S * | 10/1981 | Marks | | D3/272 |
| 4,762,272 | A * | 8/1988 | Herrin | | 229/125.08 |

| | | | | | |
|-----------|------|---------|----------------------|-------|--------|
| 4,933,991 | A * | 6/1990 | Love | | 2/115 |
| D343,356 | S * | 1/1994 | Wittman | | D9/415 |
| D349,181 | S * | 8/1994 | Cheng | | D2/842 |
| D368,588 | S * | 4/1996 | Goraleski et al. | | D6/300 |
| D390,339 | S * | 2/1998 | Dipietro | | D2/840 |
| D492,595 | S * | 7/2004 | Chang | | D9/737 |
| 7,096,509 | B2 * | 8/2006 | Kim | | 2/145 |
| D546,674 | S * | 7/2007 | Limber | | D9/432 |
| D553,495 | S * | 10/2007 | Vandecasteele et al. | | D9/432 |

* cited by examiner

Primary Examiner—Stella M. Reid

(74) *Attorney, Agent, or Firm*—Leason Ellis LLP

(57) **CLAIM**

The ornamental design for tuxedo shirt and accessories arranged in a box, as shown and described.

DESCRIPTION

FIG. 1 is a top, front, side perspective view of a tuxedo shirt and accessories arranged in a box, showing my new design.

FIG. 2 is a rear elevation view thereof;

FIG. 3 is a right side elevation view, the left side being a mirror image thereof;

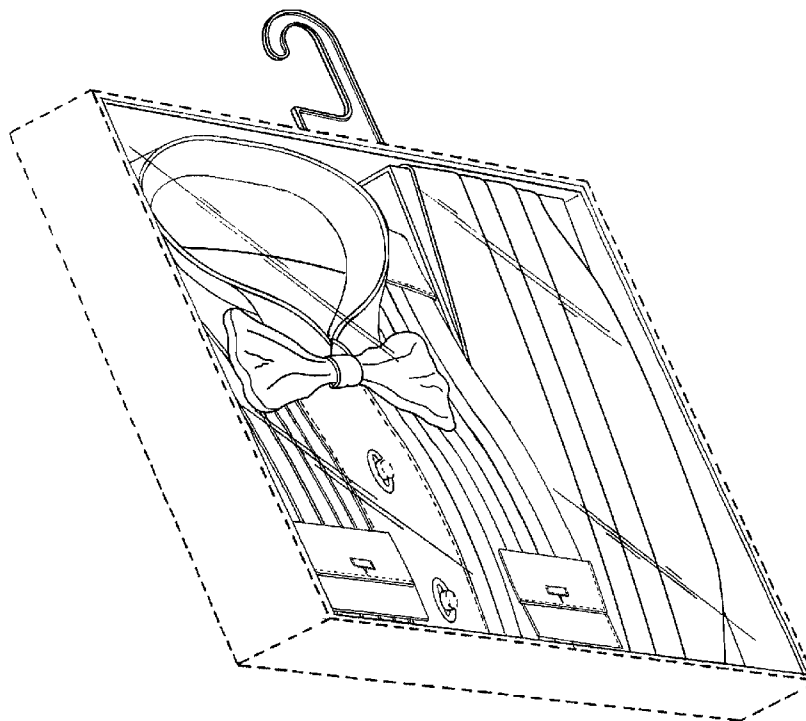
FIG. 4 is a top plan view thereof; and,

FIG. 5 is a bottom plan view thereof.

The broken lines in FIGS. 1-5 are for illustrative purposes only and form no part of the claimed design.

All sides not shown form no part of the claimed design.

1 Claim, 3 Drawing Sheets



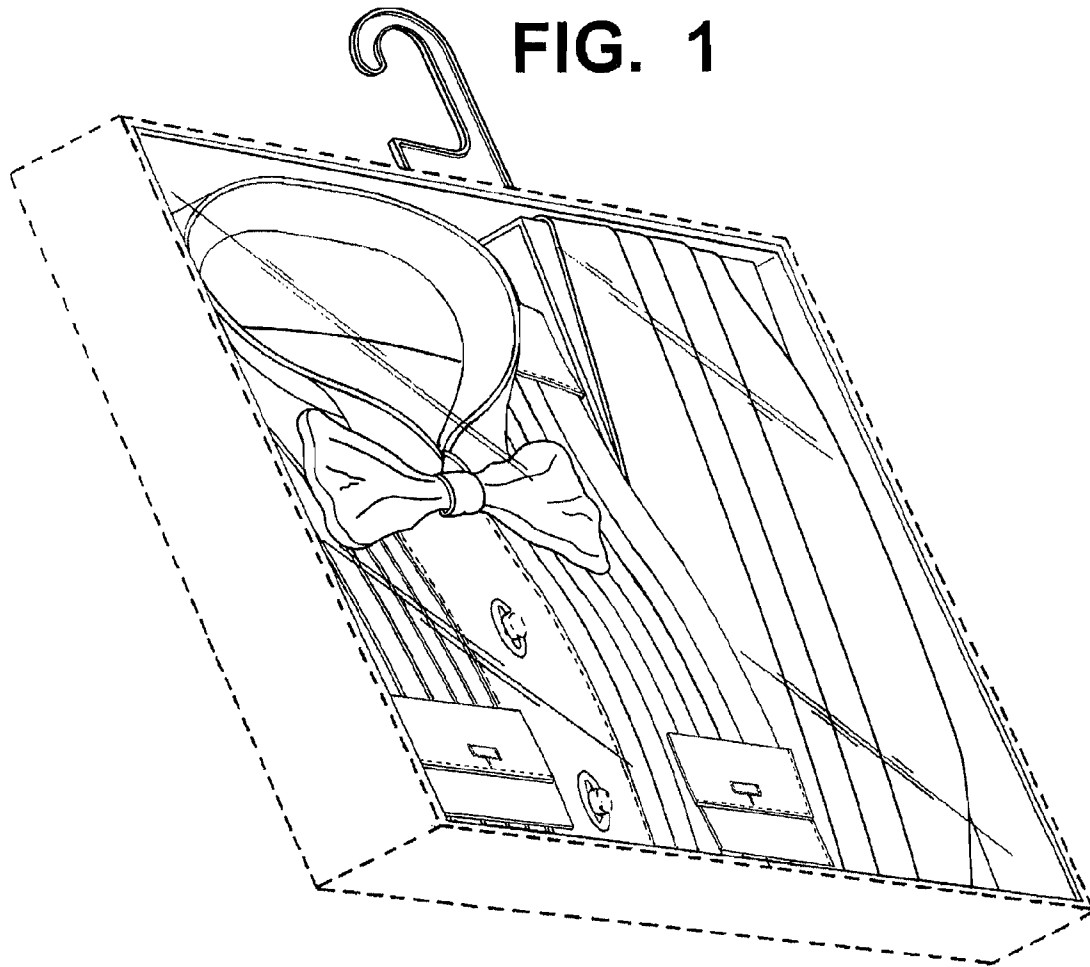


FIG. 2

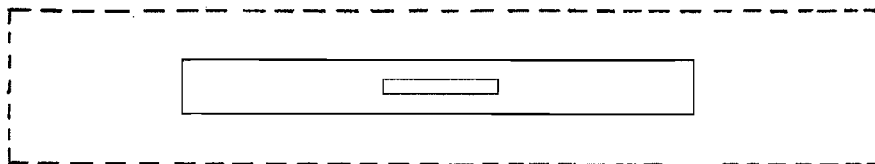


FIG. 3



FIG. 4

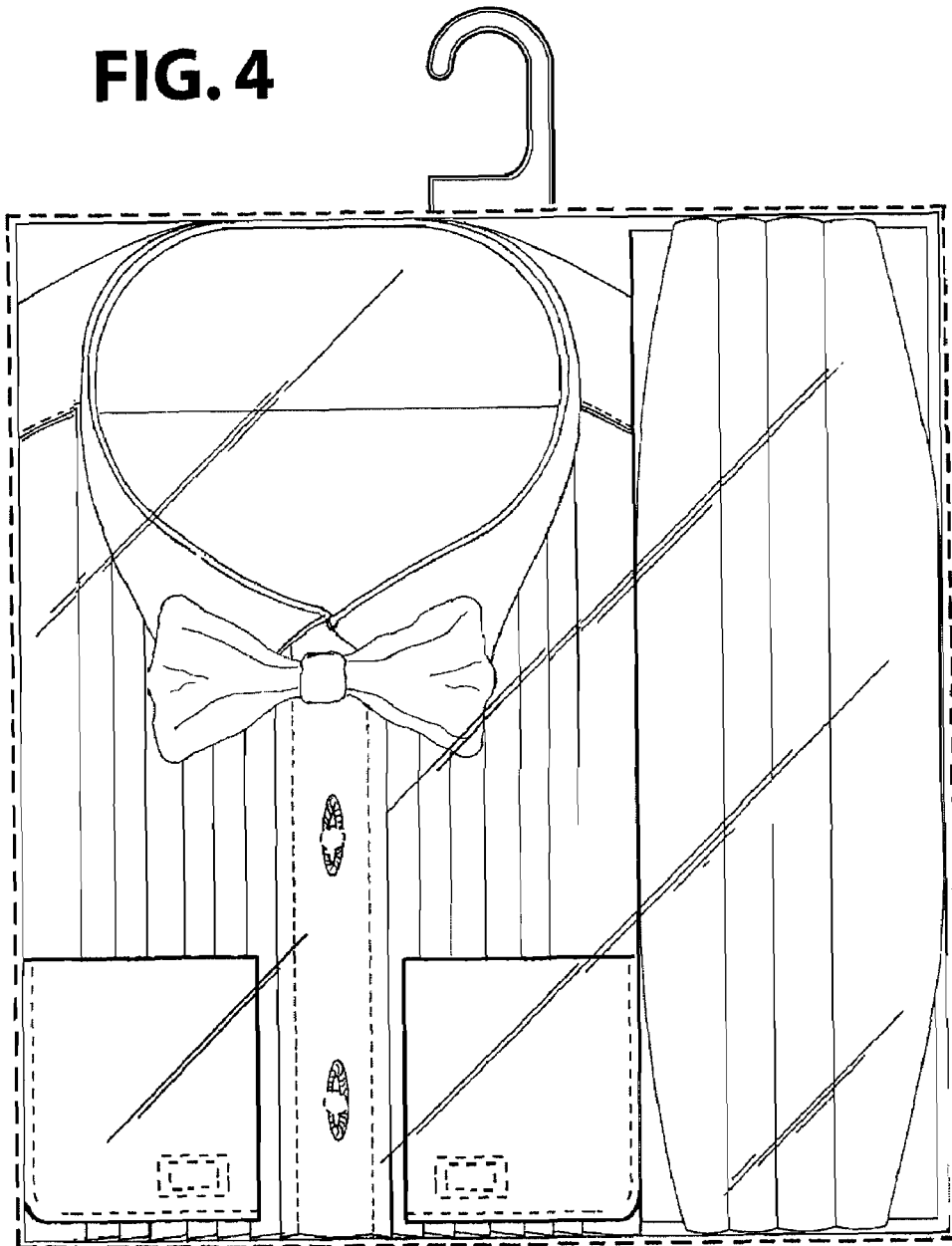


FIG. 5

