



US00D616419S

(12) **United States Design Patent**
Suwalski et al.

(10) **Patent No.:** **US D616,419 S**

(45) **Date of Patent:** **** May 25, 2010**

(54) **HEADSET**

(75) Inventors: **Henry J. Suwalski**, Cranberry Township, PA (US); **Andres D. Viduya**, Cranberry Township, PA (US); **Lonnie Pogue**, San Diego, CA (US)

3,969,796 A 7/1976 Hodsdon
3,971,900 A 7/1976 Foley
3,971,901 A 7/1976 Foley
3,984,885 A 10/1976 Yoshimura
4,018,599 A 4/1977 Hill et al.
4,020,297 A 4/1977 Brodie

(73) Assignee: **Vocollect, Inc.**, Pittsburgh, PA (US)

(Continued)

(**) Term: **14 Years**

FOREIGN PATENT DOCUMENTS

(21) Appl. No.: **29/340,741**

DE 2628259 12/1977

(22) Filed: **Jul. 24, 2009**

(Continued)

Related U.S. Application Data

OTHER PUBLICATIONS

(62) Division of application No. 29/325,264, filed on Sep. 29, 2008, now Pat. No. Des. 605,629.

Four-page Vocollect Speech Recognition Headsets brochure-Clarity and comfort. Reliable performance. Copyright Sep. 2005.

(Continued)

(51) **LOC (9) Cl.** **14-01**

(52) **U.S. Cl.** **D14/206**

(58) **Field of Classification Search** D14/205, D14/206, 223, 142, 188, 192; 181/129, 130; 379/433.02, 433.11; 381/370, 380, 381, 381/378, 374, 371, 372; D29/112; 2/209
See application file for complete search history.

Primary Examiner—Paula Greene
(74) *Attorney, Agent, or Firm*—Wood, Herron & Evans, LLP

(57) **CLAIM**

The ornamental design for a headset, as shown and described.

(56) **References Cited**

DESCRIPTION

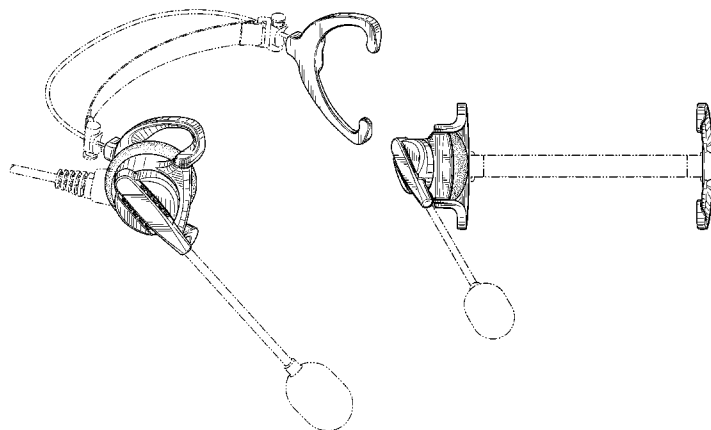
U.S. PATENT DOCUMENTS

1,483,315 A 2/1924 Saal
D130,619 S 12/1941 Kendall
D153,112 S 3/1949 Braun et al.
2,506,524 A 5/1950 Stuck
2,782,423 A 2/1957 Wiegand et al.
2,958,769 A 11/1960 Bounds
3,087,028 A 4/1963 Ernest
D196,654 S 10/1963 Van Den Berg
3,192,326 A 6/1965 Chapman
D206,665 S 1/1967 Sanzone
3,327,807 A 6/1967 Mullin
D212,863 S 12/1968 Roberts
3,568,271 A 3/1971 Husserl
3,654,406 A 4/1972 Reinthaler
3,682,268 A 8/1972 Gorike

FIG. 1 is a front perspective view of a headset showing our new design;
FIG. 2 is a front perspective view thereof;
FIG. 3 is a right side elevational view thereof;
FIG. 4 is a front elevational view thereof;
FIG. 5 is a left side elevational view thereof;
FIG. 6 is a rear elevational view thereof;
FIG. 7 is a top view thereof; and,
FIG. 8 is a bottom view thereof.

The broken lines are for illustrative purposes only, and form no part of the claimed design.

1 Claim, 6 Drawing Sheets



US D616,419 S

Page 2

U.S. PATENT DOCUMENTS						
			5,555,490	A	9/1996	Carroll
			5,555,554	A	9/1996	Hofer
			5,563,952	A	10/1996	Mercer
			5,572,401	A	11/1996	Carroll
			5,572,623	A	11/1996	Pastor
			5,579,400	A	11/1996	Ballein
			D376,598	S	12/1996	Hayashi
			D377,020	S	12/1996	Bungardt et al.
			5,581,492	A	12/1996	Janik
			5,604,050	A	2/1997	Brunette et al.
			5,604,813	A	2/1997	Evans et al.
			5,607,792	A	3/1997	Garcia et al.
			D380,199	S	6/1997	Beruscha
			5,637,417	A	6/1997	Engmark
			D384,072	S	9/1997	Ng
			5,665,485	A	9/1997	Kuwayama et al.
			5,671,037	A	9/1997	Ogasawara et al.
			5,673,325	A	9/1997	Andrea
			5,673,364	A	9/1997	Bialik
			D385,272	S	10/1997	Jensen
			5,680,465	A	10/1997	Boyden
			D385,855	S	11/1997	Ronzani
			D387,898	S	12/1997	Ronzani
			D390,552	S	2/1998	Ronzani
			D391,234	S	2/1998	Chacon et al.
			5,716,730	A	2/1998	Deguchi
			5,719,743	A	2/1998	Jenkins et al.
			5,719,744	A	2/1998	Jenkins et al.
			D394,436	S	5/1998	Hall et al.
			5,749,072	A	5/1998	Mazurkiewicz et al.
			5,757,339	A	5/1998	Williams et al.
			5,762,512	A	6/1998	Trant et al.
			5,766,794	A	6/1998	Brunette et al.
			5,774,096	A	6/1998	Usuki et al.
			5,774,837	A	6/1998	Yeldener
			5,778,026	A	7/1998	Zak
			5,781,644	A	7/1998	Chang
			5,787,361	A	7/1998	Chen
			5,787,387	A	7/1998	Aguilar
			5,787,390	A	7/1998	Quinquis
			5,793,878	A	8/1998	Chang
			D398,899	S	9/1998	Chaco
			D400,848	S	11/1998	Clark et al.
			5,832,098	A	11/1998	Chen
			5,841,630	A	11/1998	Seto
			5,841,859	A	11/1998	Chen
			D402,651	S	12/1998	Depay et al.
			5,844,824	A	12/1998	Newman et al.
			5,856,038	A	1/1999	Mason
			5,857,148	A	1/1999	Weissshappel et al.
			5,860,204	A	1/1999	Krengel
			5,862,241	A	1/1999	Nelson
			D406,098	S	2/1999	Walter et al.
			5,869,204	A	2/1999	Kottke et al.
			5,873,070	A	2/1999	Bunte et al.
			5,890,074	A	3/1999	Rydbeck
			5,890,108	A	3/1999	Yeldener
			5,895,729	A	4/1999	Phelps et al.
			D409,137	S	5/1999	Sumita
			5,905,632	A	5/1999	Seto et al.
			D410,466	S	6/1999	Mouri
			D410,921	S	6/1999	Luchs et al.
			D411,179	S	6/1999	Toyosato
			5,931,513	A	8/1999	Conti
			5,933,330	A	8/1999	Beutler et al.
			5,935,729	A	8/1999	Mareno
			D413,582	S	9/1999	Tompkins
			D414,470	S	9/1999	Chacon
			5,991,085	A	11/1999	Rallison et al.
			5,999,085	A	12/1999	Szwarc
			6,014,619	A	1/2000	Wuppermann et al.
			6,016,347	A	1/2000	Magnasco
			6,021,207	A	2/2000	Puthuff et al.

US D616,419 S

Page 3

D422,962	S	4/2000	Shevlin et al.	6,394,278	B1	5/2002	Reed
6,051,334	A	4/2000	Tsurumaru	6,434,251	B1	8/2002	Jensen
D424,035	S	5/2000	Steiner	6,445,175	B1	9/2002	Estep
6,060,193	A	5/2000	Remes	6,446,042	B1	9/2002	Detlef
6,061,647	A	5/2000	Barrett	6,453,020	B1	9/2002	Hughes et al.
6,071,640	A	6/2000	Robertson et al.	D463,784	S	10/2002	Taylor et al.
6,075,857	A	6/2000	Doss et al.	6,466,681	B1	10/2002	Siska, Jr.
6,078,825	A	6/2000	Hahn et al.	D465,208	S	11/2002	Lee et al.
6,084,556	A	7/2000	Zwern	D465,209	S	11/2002	Rath
6,085,428	A	7/2000	Casby et al.	D466,497	S	12/2002	Wikel
6,091,546	A	7/2000	Spitzer	6,496,111	B1	12/2002	Hosack
D430,158	S	8/2000	Bhatia	6,500,581	B2	12/2002	White et al.
D430,159	S	8/2000	Bhatia et al.	D469,080	S	1/2003	Kohli
6,101,260	A	8/2000	Jensen	6,511,770	B2	1/2003	Chang
6,114,625	A	9/2000	Hughes et al.	6,532,148	B2	3/2003	Jenks
6,120,932	A	9/2000	Slipy et al.	6,560,092	B2	5/2003	Itou et al.
D431,562	S	10/2000	Bhatia et al.	6,562,950	B2	5/2003	Peretz et al.
6,127,990	A	10/2000	Zwern	6,581,782	B2	6/2003	Reed
6,136,467	A	10/2000	Phelps et al.	6,600,798	B2	7/2003	Wuppermann
6,137,868	A	10/2000	Leach	6,615,174	B1	9/2003	Arslan
6,137,879	A	10/2000	Papadopoulos et al.	6,628,509	B2	9/2003	Kono
6,154,669	A	11/2000	Hunter et al.	6,633,839	B2	10/2003	Kushner et al.
D434,762	S	12/2000	Ikenaga	D482,019	S	11/2003	Petersen et al.
6,157,533	A	12/2000	Sallam	6,658,130	B2	12/2003	Huang
6,160,702	A	12/2000	Lee	6,660,427	B1	12/2003	Hukill
6,167,413	A	12/2000	Daley	D487,064	S	2/2004	Stekelenburg
D436,104	S	1/2001	Bhatia	6,697,465	B1	2/2004	Goss
6,171,138	B1	1/2001	Lefebvre et al.	D488,146	S	4/2004	Minto
6,179,192	B1	1/2001	Weinger et al.	D488,461	S	4/2004	Okada
6,188,985	B1	2/2001	Thrift	6,728,325	B1	4/2004	Hwang
6,190,795	B1	2/2001	Daley	6,731,771	B2	5/2004	Cottrell
D440,966	S	4/2001	Ronzani	D491,917	S	6/2004	Asai
6,225,777	B1	5/2001	Garcia et al.	D492,295	S	6/2004	Glatt
6,226,622	B1	5/2001	Dabbieri	6,743,535	B2	6/2004	Yoneyama
6,229,694	B1	5/2001	Kono	6,745,014	B1	6/2004	Seibert
6,230,029	B1	5/2001	Hahn et al.	6,749,960	B2	6/2004	Takeshita
6,235,420	B1	5/2001	Ng	6,754,361	B1	6/2004	Hall
6,237,051	B1	5/2001	Collins	6,754,632	B1	6/2004	Kalinowski et al.
D443,870	S	6/2001	Carpenter et al.	6,757,651	B2	6/2004	Vergin
6,252,970	B1	6/2001	Poon et al.	D494,517	S	8/2004	Platto et al.
6,261,715	B1	7/2001	Nakamura et al.	6,769,762	B2	8/2004	Saito et al.
D449,289	S	10/2001	Weikel et al.	6,769,767	B2	8/2004	Swab et al.
6,302,454	B1	10/2001	Tsurumaru	6,772,114	B1	8/2004	Sluijter et al.
6,304,430	B1	10/2001	Laine	6,778,676	B2	8/2004	Groth
6,304,459	B1	10/2001	Toyosato et al.	6,795,805	B1	9/2004	Bessette et al.
6,310,888	B1	10/2001	Hamlin	D498,231	S	11/2004	Jacobson et al.
6,324,053	B1	11/2001	Kamijo	6,811,088	B2	11/2004	Lanzaro et al.
D451,903	S	12/2001	Amae et al.	6,826,532	B1	11/2004	Casby et al.
D451,907	S	12/2001	Amae et al.	6,847,336	B1	1/2005	Lemelson
6,325,507	B1	12/2001	Jannard	6,885,735	B2	4/2005	Odinak et al.
6,326,543	B1	12/2001	Lamp	D506,065	S	6/2005	Sugino et al.
6,327,152	B1	12/2001	Saye	6,909,546	B2	6/2005	Hirai
6,339,706	B1	1/2002	Tillgren	D507,523	S	7/2005	Resch et al.
6,339,764	B1	1/2002	Livesay et al.	6,934,675	B2	8/2005	Gliniski
6,349,001	B1	2/2002	Spitzer	6,965,681	B2	11/2005	Almqvist
6,353,313	B1	3/2002	Estep	D512,417	S	12/2005	Hirakawa et al.
6,356,635	B1	3/2002	Lyman	D512,984	S	12/2005	Ham
6,357,534	B1	3/2002	Buetow et al.	D512,985	S	12/2005	Travers et al.
6,359,603	B1	3/2002	Zwern	7,013,018	B2	3/2006	Bogeskov-Jensen
6,359,777	B1	3/2002	Newman	D519,497	S	4/2006	Komiyama
6,359,995	B1	3/2002	Ou	7,027,774	B2	4/2006	Kuon
6,364,126	B1	4/2002	Enriquez	D521,492	S	5/2006	Ham
6,369,952	B1	4/2002	Rallison et al.	7,050,598	B1	5/2006	Ham
6,371,535	B2	4/2002	Wei	7,052,799	B2	5/2006	Zatezalo et al.
6,373,693	B1	4/2002	Seto et al.	7,063,263	B2	6/2006	Swartz et al.
6,373,942	B1	4/2002	Braund	D524,794	S	7/2006	Kim
6,374,126	B1	4/2002	MacDonald, Jr. et al.	D525,237	S	7/2006	Viduya
6,376,942	B1	4/2002	Burger	7,076,236	B2	7/2006	Ihira et al.
6,377,825	B1	4/2002	Kennedy et al.	7,082,393	B2	7/2006	Lahr
D457,133	S	5/2002	Yoneyama	7,085,543	B2	8/2006	Nassimi
6,384,591	B1	5/2002	Estep	7,099,464	B2	8/2006	Lucey et al.
6,384,982	B1	5/2002	Spitzer	7,106,877	B1	9/2006	Linville
6,386,107	B1	5/2002	Rancourt	7,107,057	B2	9/2006	Arazi et al.

7,110,800 B2 9/2006 Nagayasu et al.
 7,110,801 B2 9/2006 Nassimi
 D529,447 S 10/2006 Greenfield
 D531,586 S 11/2006 Poulet
 7,136,684 B2 11/2006 Matsuura et al.
 7,143,041 B2 11/2006 Sacks et al.
 D537,438 S 2/2007 Hermansen
 7,181,402 B2 2/2007 Jax
 7,203,651 B2 4/2007 Baruch et al.
 7,225,130 B2 5/2007 Roth et al.
 7,242,765 B2 7/2007 Hairston
 D549,216 S 8/2007 Viduya
 D549,217 S 8/2007 Viduya
 D549,694 S 8/2007 Viduya et al.
 D551,615 S 9/2007 Wahl
 D552,595 S 10/2007 Viduya et al.
 7,343,283 B2 3/2008 Ashley
 7,346,175 B2 3/2008 Hui et al.
 D567,218 S 4/2008 Viduya et al.
 D567,219 S 4/2008 Viduya et al.
 D567,799 S 4/2008 Viduya et al.
 D567,806 S 4/2008 Viduya et al.
 7,369,991 B2 5/2008 Manabe et al.
 7,391,863 B2 6/2008 Viduya
 7,496,387 B2 2/2009 Byford et al.
 7,519,186 B2 4/2009 Varma
 7,519,196 B2 4/2009 Bech
 D605,629 S * 12/2009 Suwalski et al. D14/206
 2001/0017925 A1 8/2001 Ceravolo
 2001/0017926 A1 8/2001 Vicamini
 2001/0036291 A1 11/2001 Pallai
 2001/0046305 A1 11/2001 Muranami
 2002/0003889 A1 1/2002 Fischer
 2002/0015008 A1 2/2002 Kishida
 2002/0016161 A1 2/2002 Dellien
 2002/0067825 A1 6/2002 Baranowski
 2002/0068610 A1 6/2002 Anvekar
 2002/0076060 A1 6/2002 Hall
 2002/0091526 A1 7/2002 Kiessling
 2002/0110246 A1 8/2002 Gosior
 2002/0111197 A1 8/2002 Fitzgerald
 2002/0131616 A1 9/2002 Bronnikov
 2002/0152065 A1 10/2002 Kopp
 2002/0159574 A1 10/2002 Stogel
 2003/0095525 A1 5/2003 Lavin

2003/0103413 A1 6/2003 Jacobi, Jr.
 2003/0130852 A1 7/2003 Tanaka
 2003/0179888 A1 9/2003 Burnett
 2003/0182243 A1 9/2003 Gerson
 2003/0212480 A1 11/2003 Lutter
 2003/0217367 A1 11/2003 Romano
 2003/0228023 A1 12/2003 Burnett
 2004/0010407 A1 1/2004 Kovesi
 2004/0024586 A1 2/2004 Andersen
 2004/0046637 A1 3/2004 Van Swaay
 2004/0063475 A1 4/2004 Weng
 2004/0091129 A1 5/2004 Jensen
 2005/0149414 A1 7/2005 Schrodt
 2005/0232436 A1 10/2005 Nagayasu
 2005/0272401 A1 12/2005 Zatezalo
 2007/0223766 A1 9/2007 Davis

FOREIGN PATENT DOCUMENTS

DE	3604292	8/1987
EP	0380290	8/1990
EP	1018854	7/2000

OTHER PUBLICATIONS

Four-page Vocollect Speech Recognition Headsets brochure—SR 30 Series Talkman High-Noise Headset. Copyright 2005.
 Two-page Vocollect SR 20 Talkman Lightweight Headset Product Information Sheet. Copyright Aug. 2004.
 Photographs 1-7 SR Talkman Headset Aug. 2004.
 Two-page Supplemental Vocollect SR 20, Talkman Lightweight Headset brochure. Copyright Aug. 2004.
 Photographs 1-8 SR Talkman Headset.
 Hong Kook Kim, et al.; A Bitstream-Based Front-End for Wireless Speech Recognition on IS-136 Communications Systems; IEEE Transactions on Speech and Audio Processing; Manuscript received Feb. 16, 200, revised Jan. 25, 2001; 11 Pages; vol. 9; No. 5; Jul. 2001; New York, NY, US.
 Mladen Russo, et al.; Speech Recognition over Bluetooth ACL and SCO Links; A Comparison; Consumer Communications and Networking Conference 2005; Jan. 3-6, 2005; 5 Pages, Las Vegas, NV, US.
 English Language Translation of Foreign Reference #1 above (DE2628259).

* cited by examiner

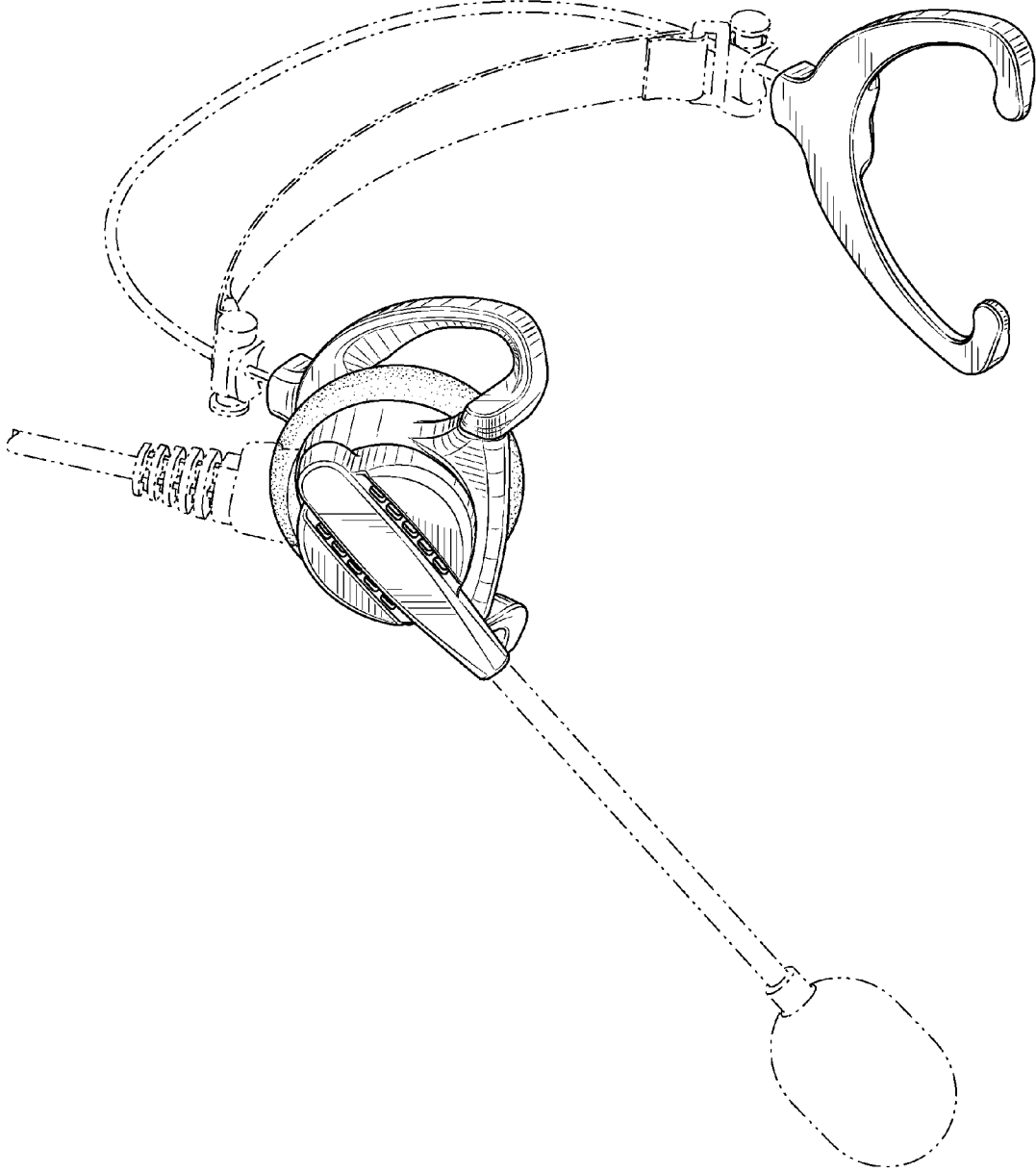


FIG. 1

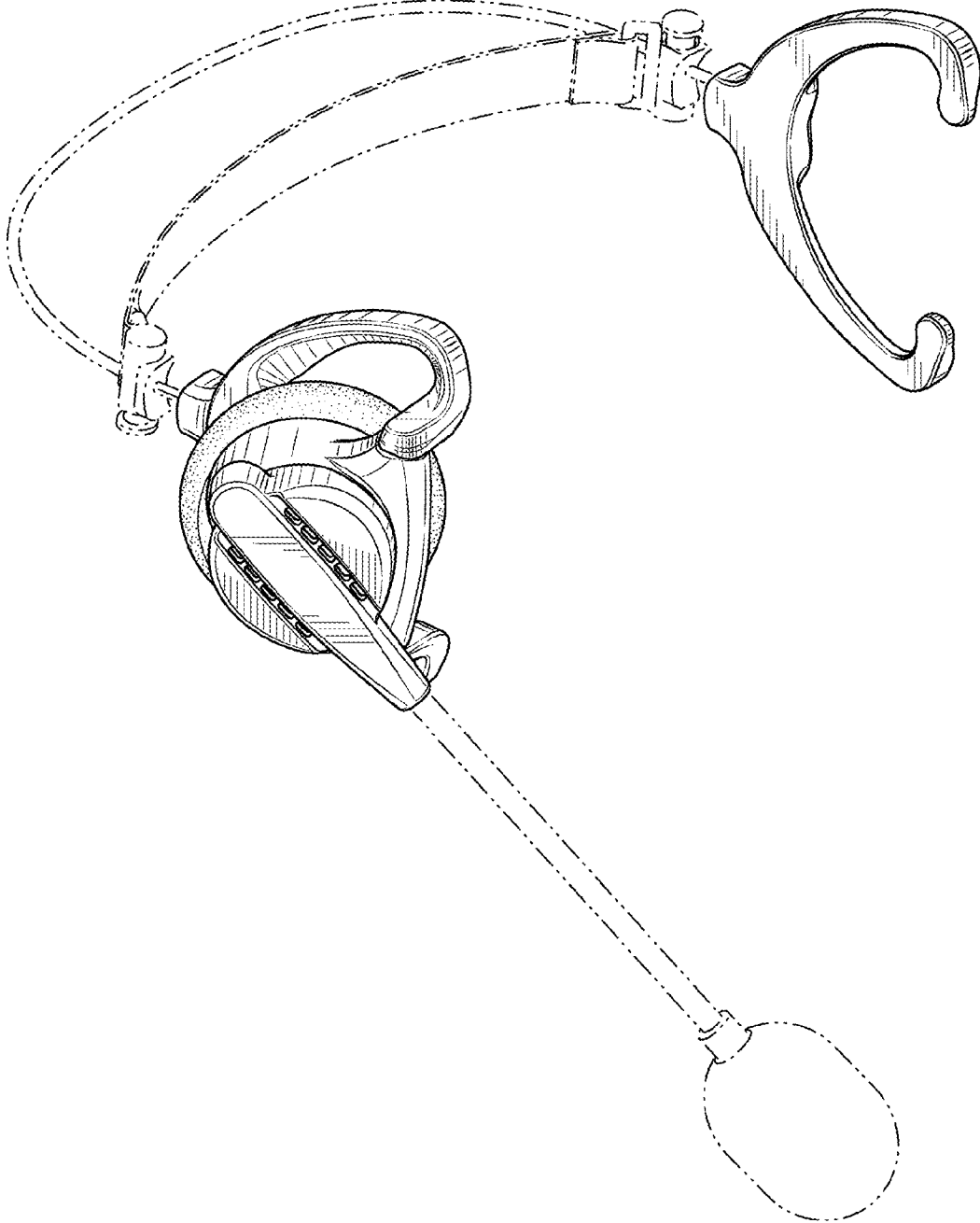


FIG. 2

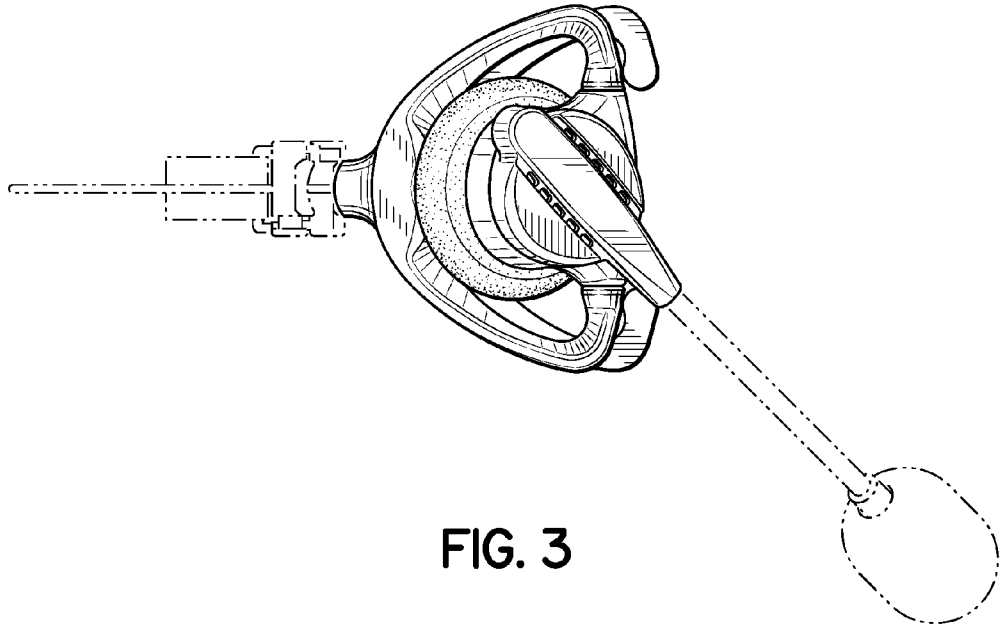


FIG. 3

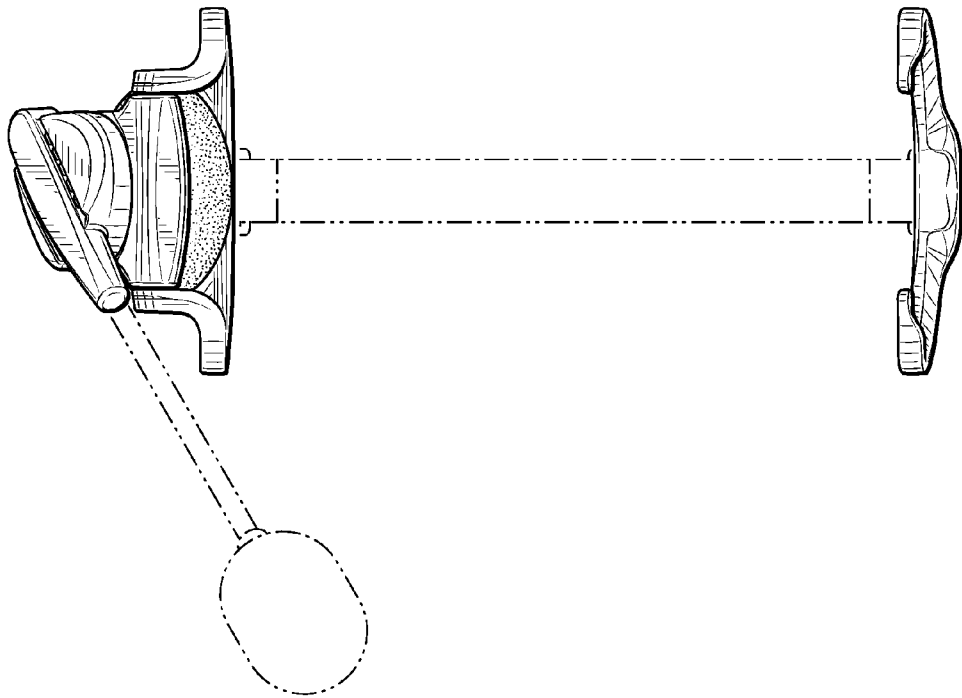
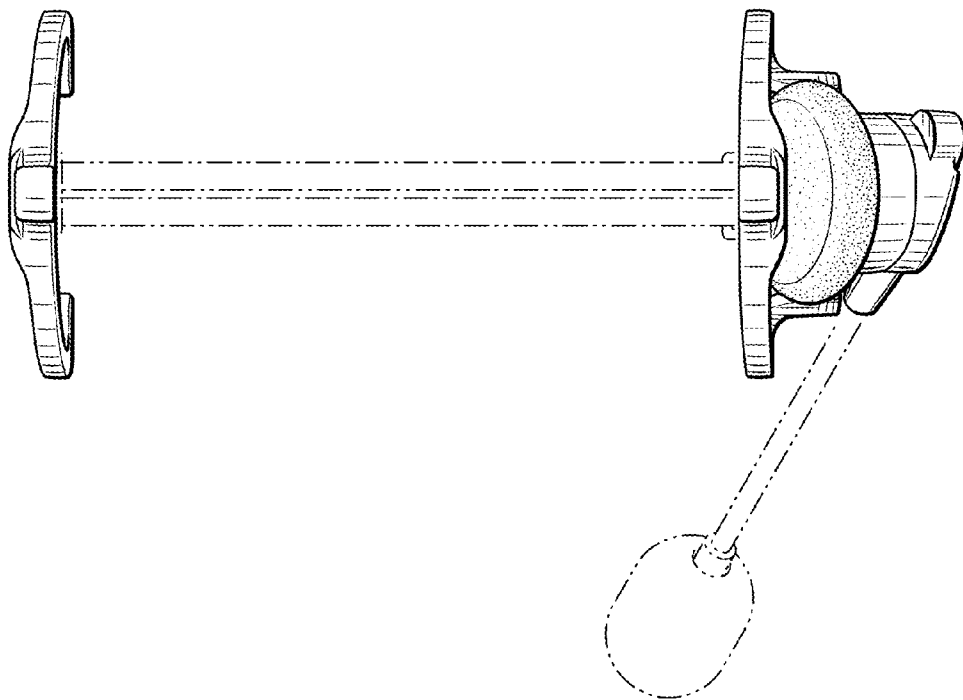
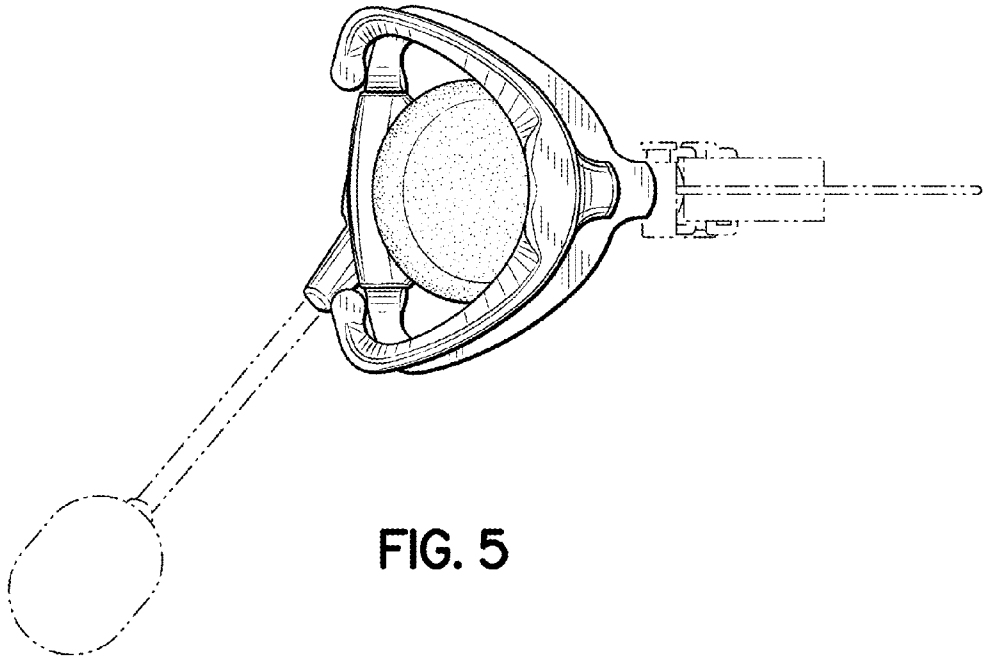


FIG. 4



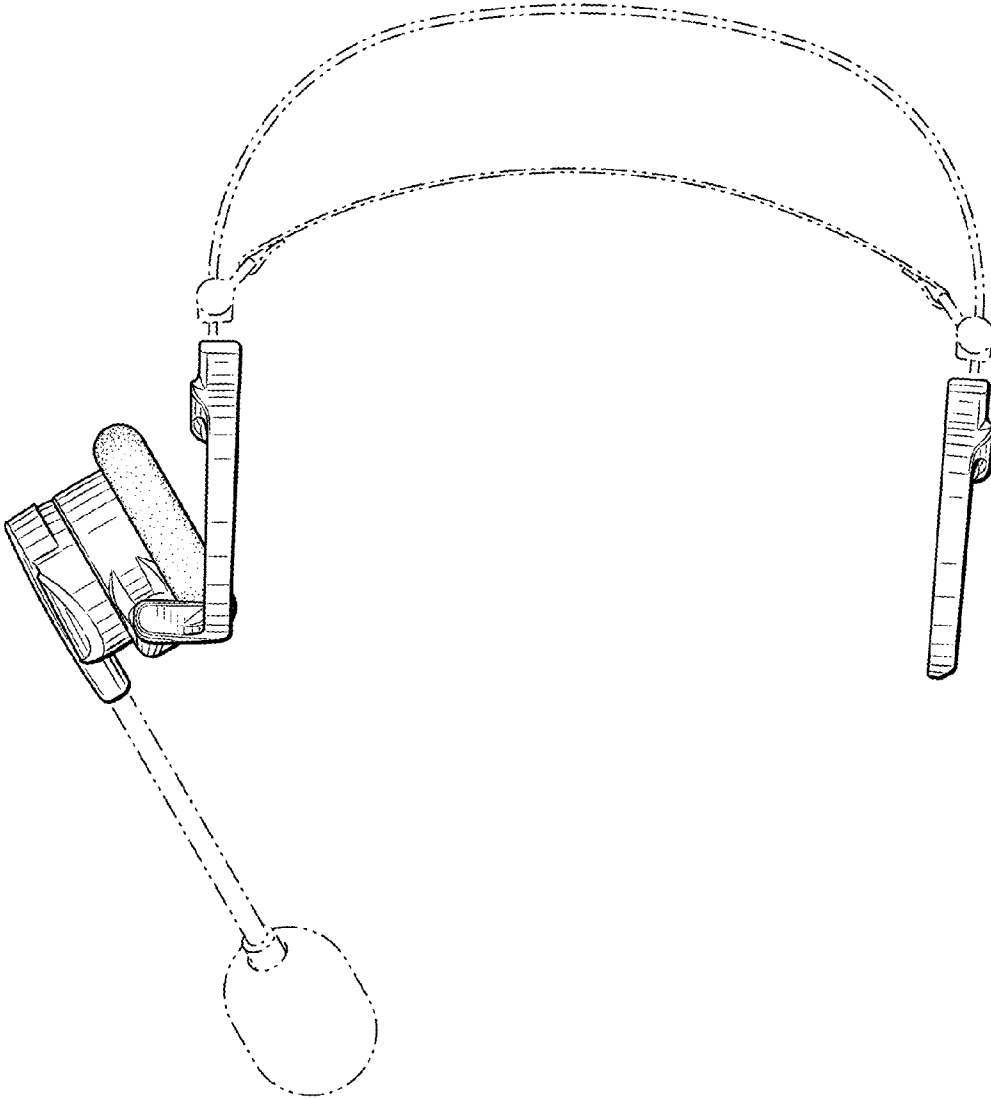


FIG. 7

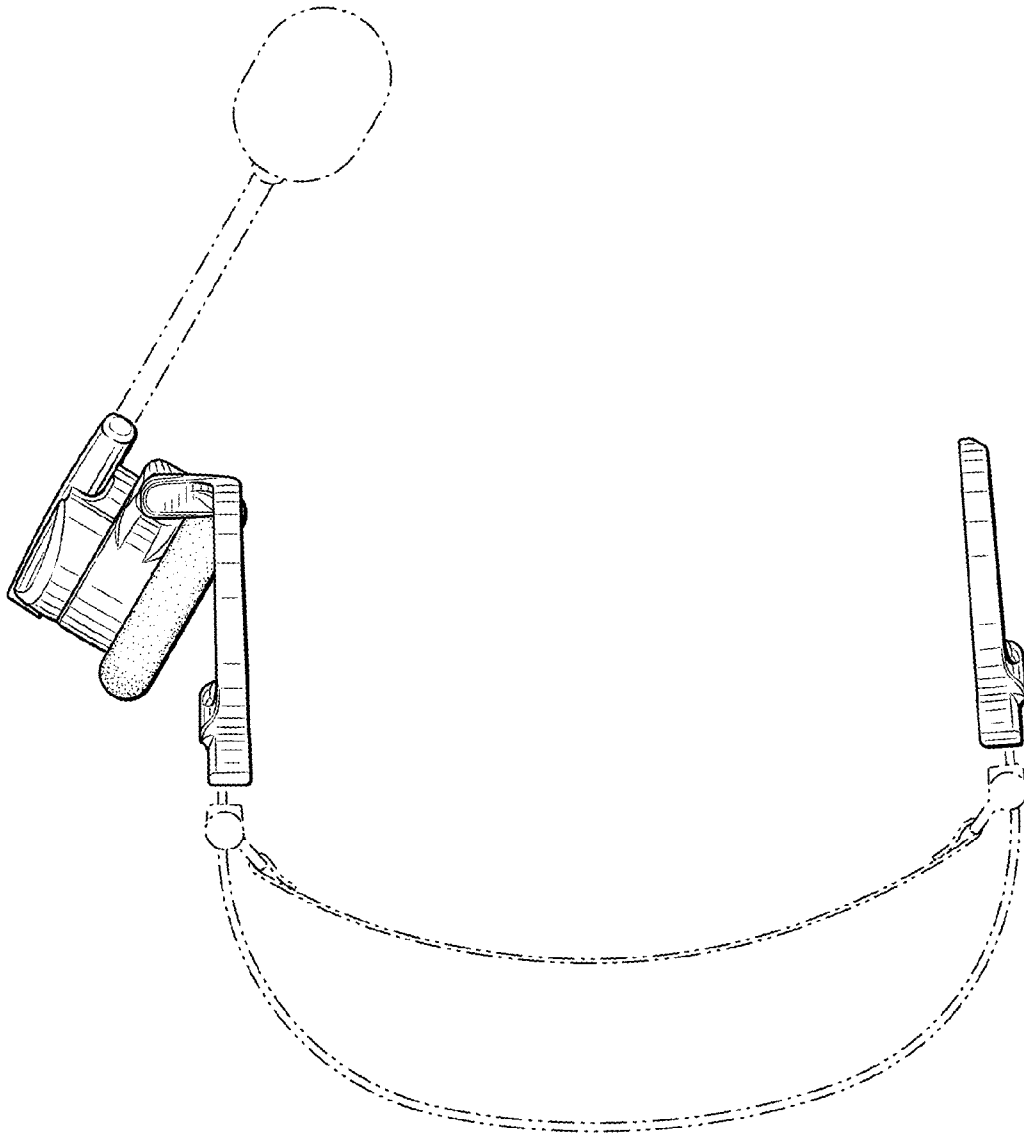


FIG. 8